

ELEVATION OF SMOKE STOP DOORS N.M.L. D68

CHRISTCHURCH CITY COUNCIL
 Approved Subject to the 7th Laws
 14 DEC 1979
 For City Engineer

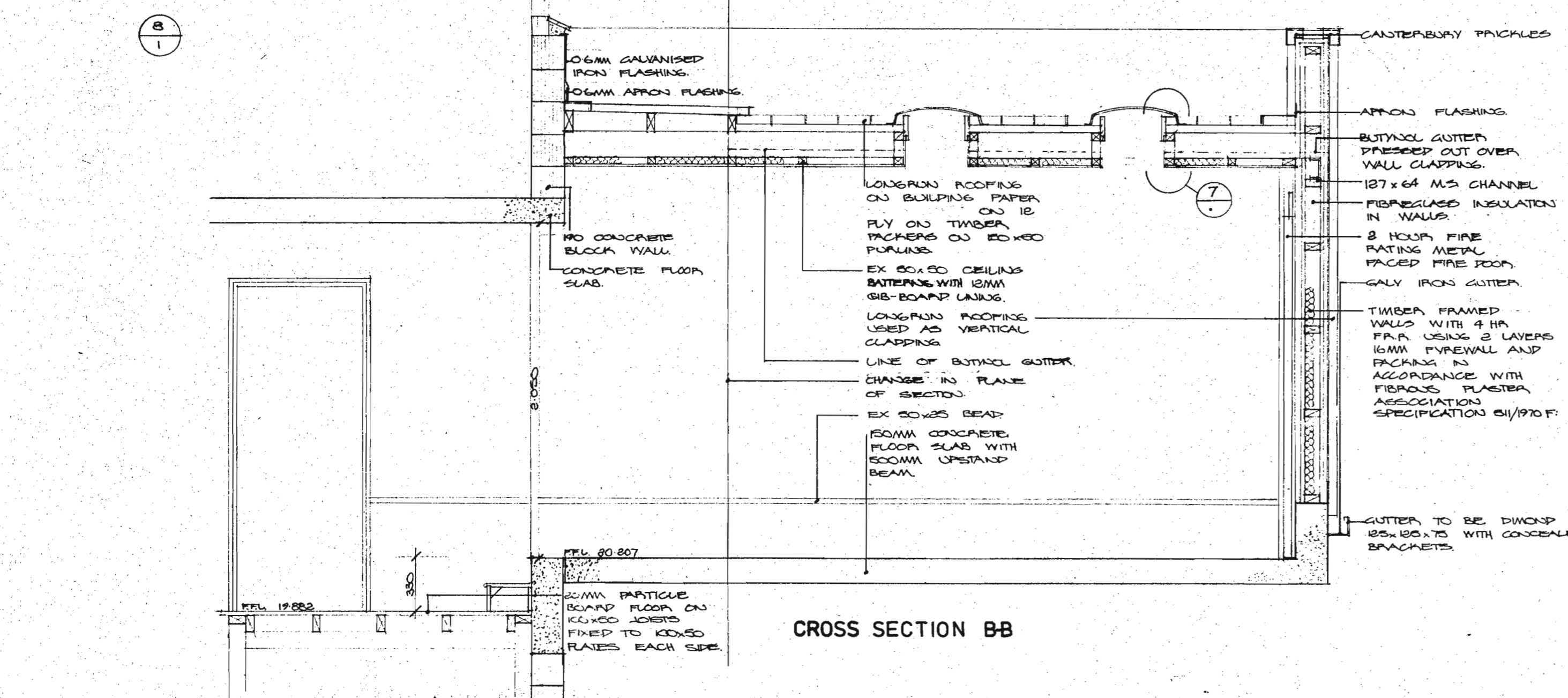
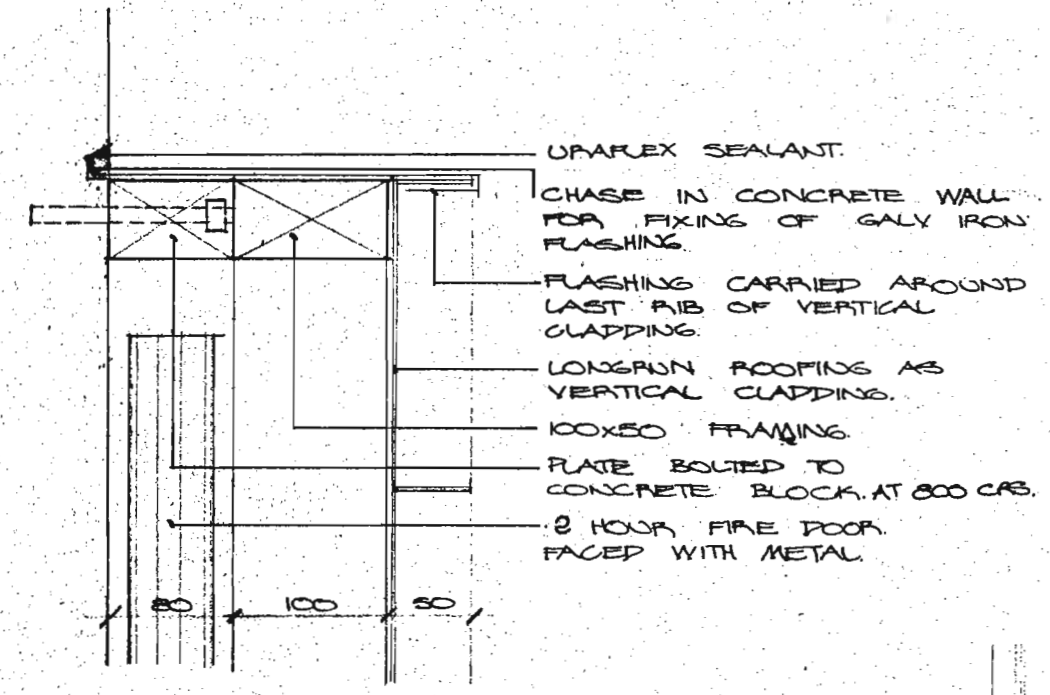
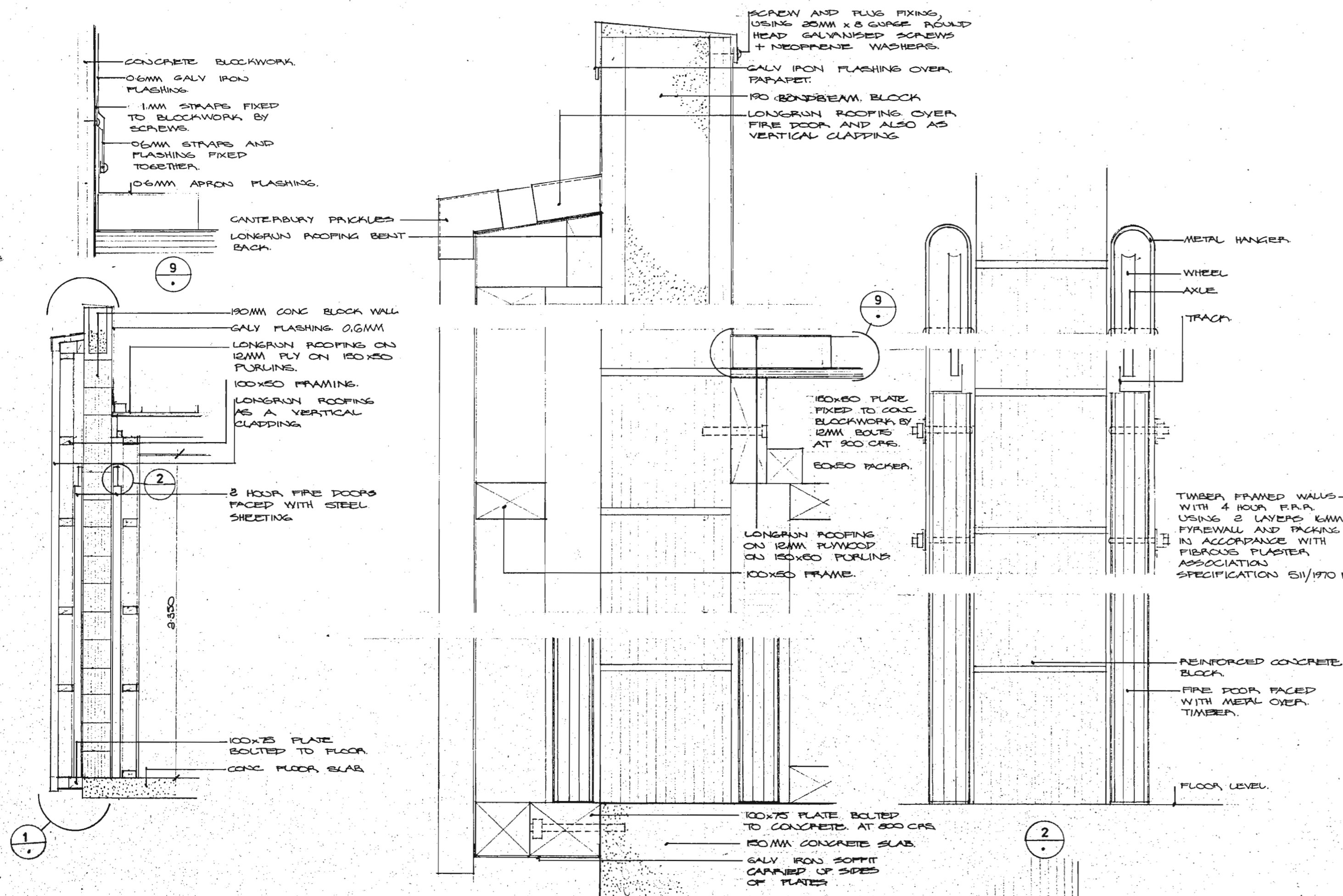
WARREN & MAHONEY
 REGISTERED ARCHITECTS
 CHRISTCHURCH

PROPOSED NEW WALKWAY BRIDGE BETWEEN NEW BUILDING FOR N.M.L. HEREFORD STREET, NEW BUILDING FOR J.H. MOWAT, HIGH STREET, & EXISTING CARPARK BUILDING, CASHEL STREET.

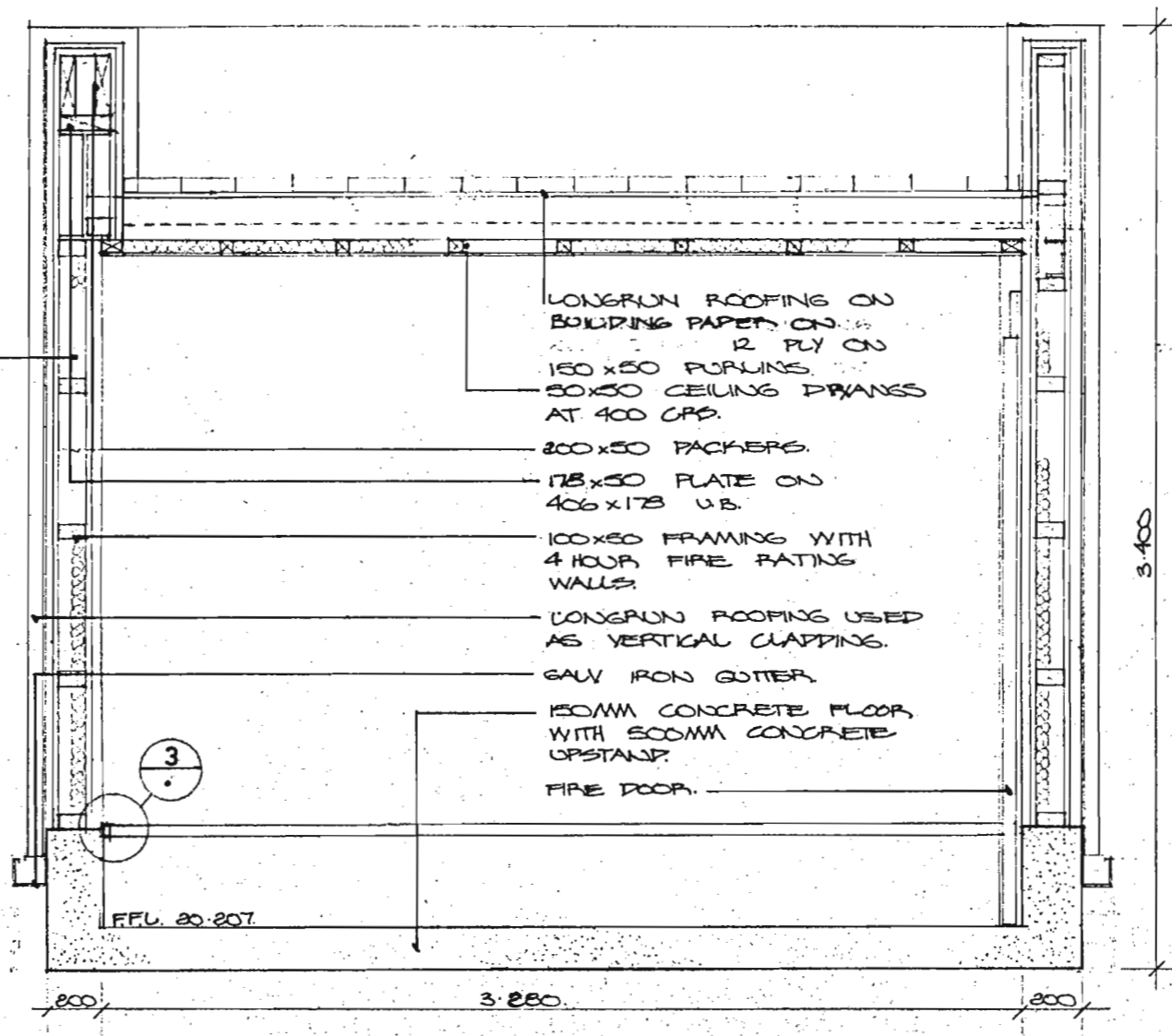
DESIGN	SCALES	DATE
DRN :	1:100	79 MAR
TRD :		
CHD :		
APD :		

FILE	DRAWING
	1

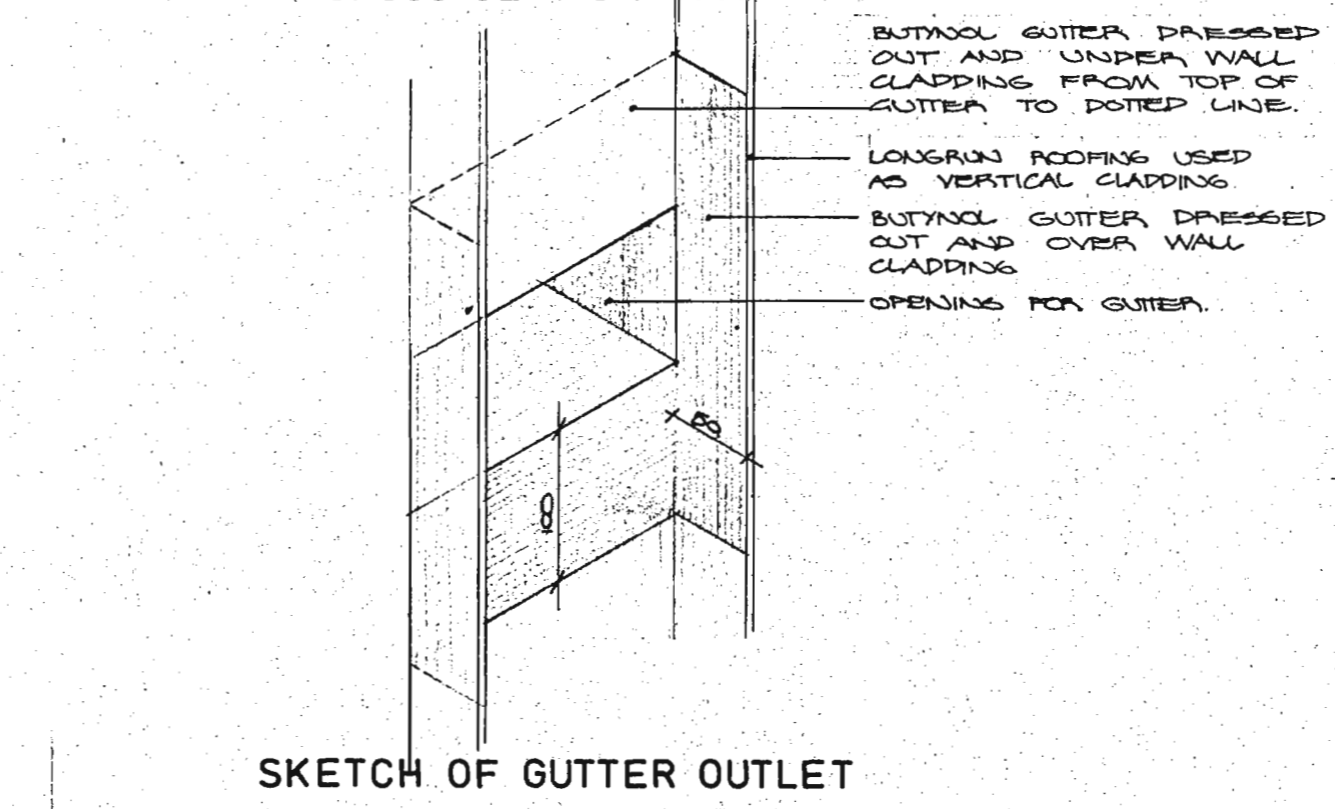
CONTRACTOR SHALL VERIFY ALL DIMENSIONS BEFORE STARTING WORK



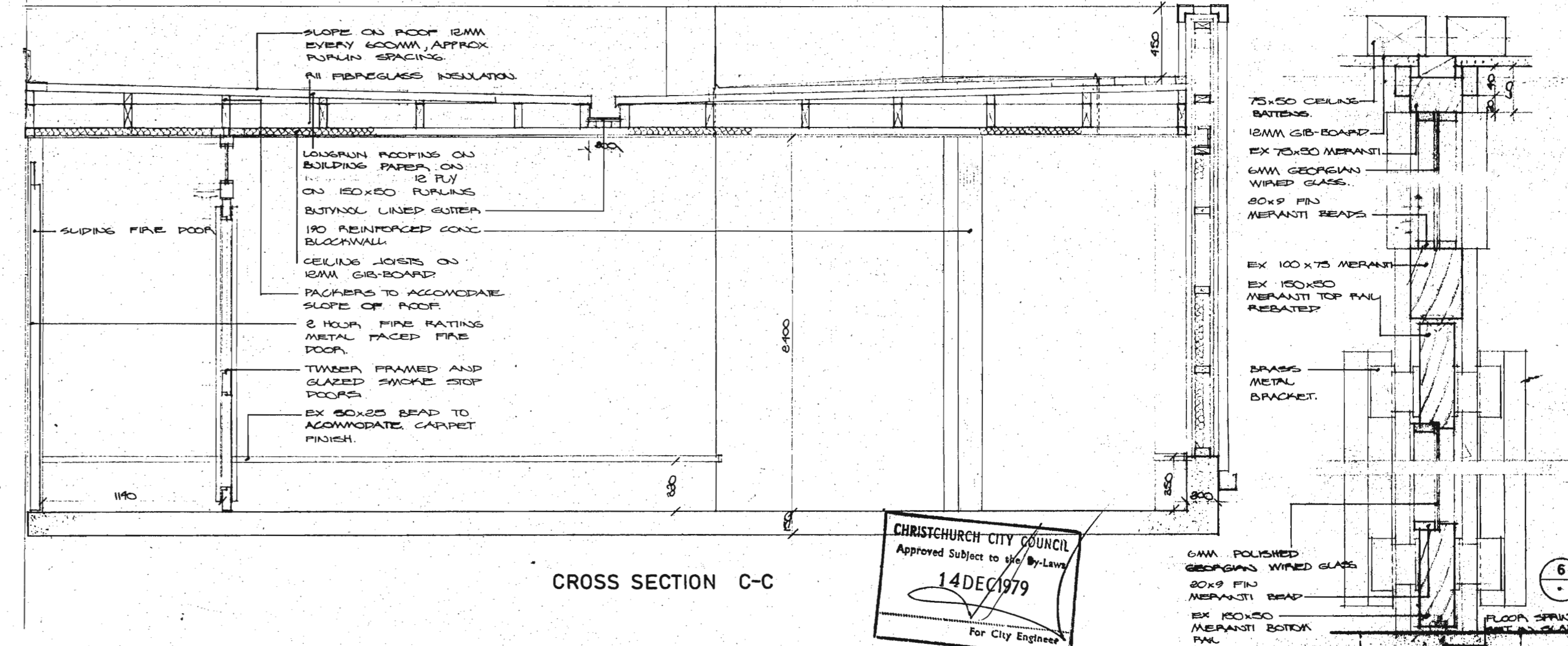
CROSS SECTION BB



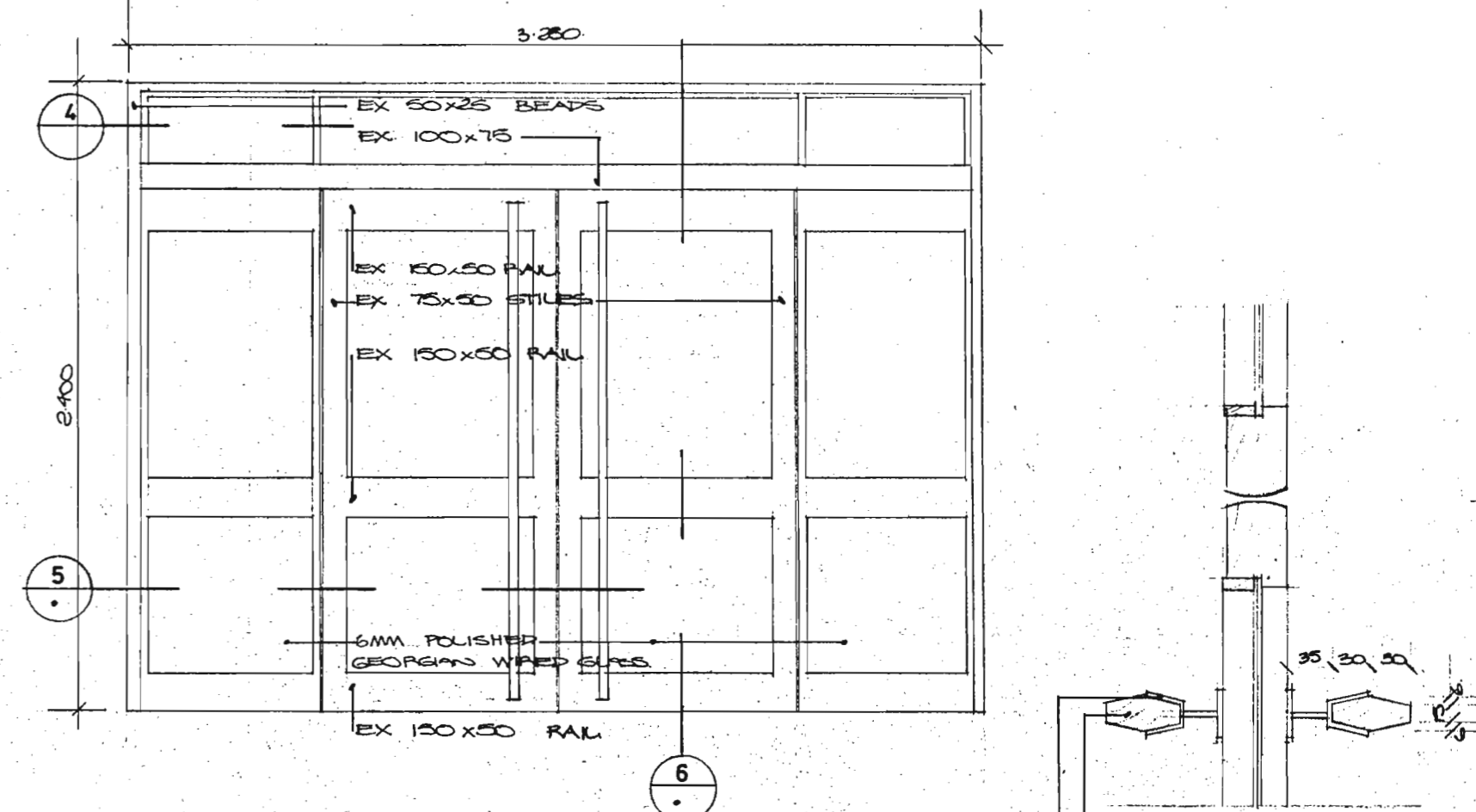
CROSS SECTION A-A



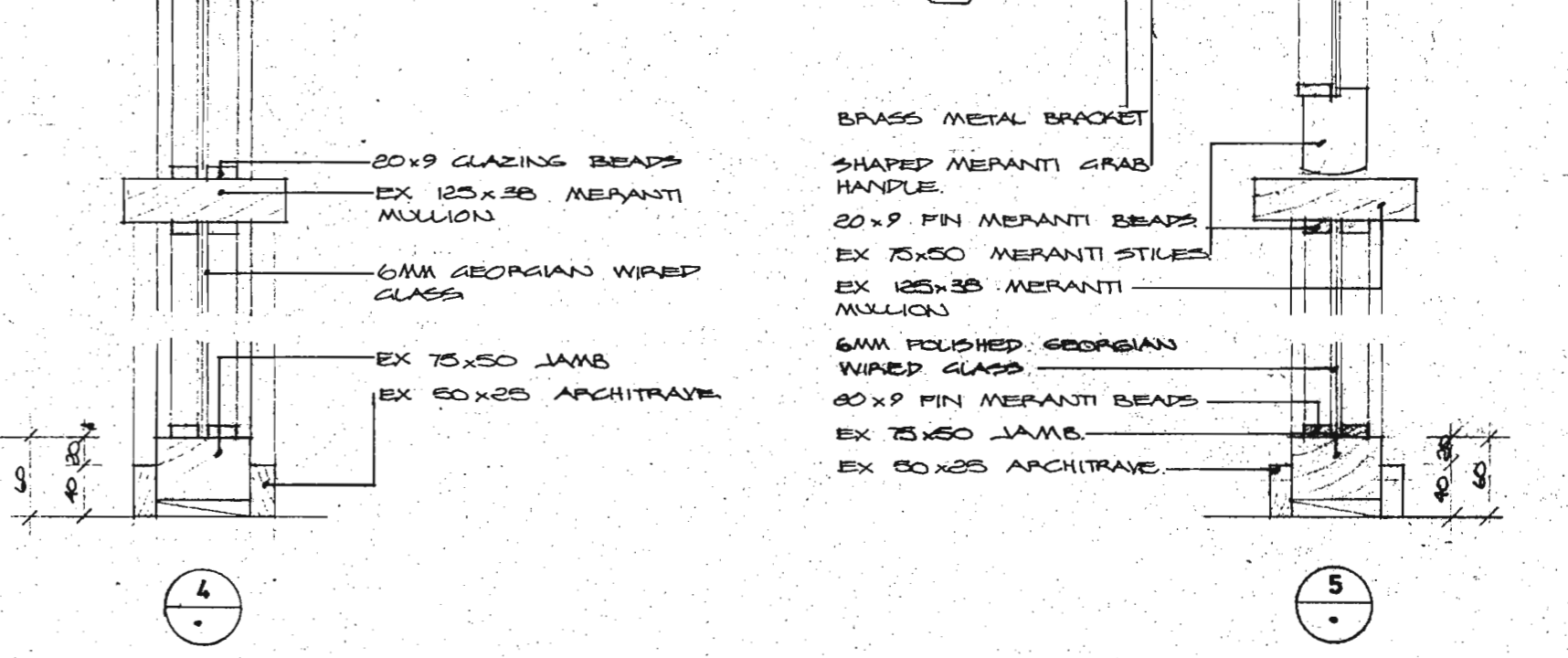
SKETCH OF GUTTER OUTLET



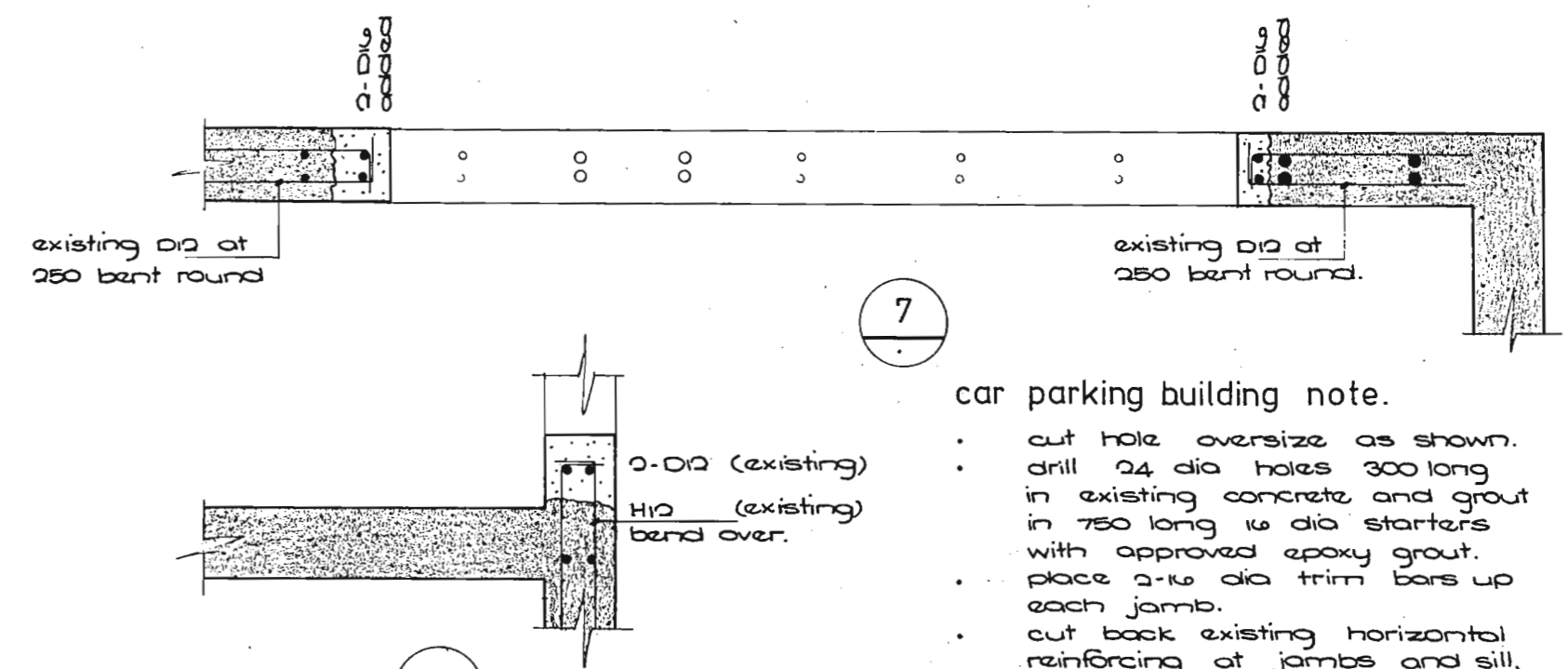
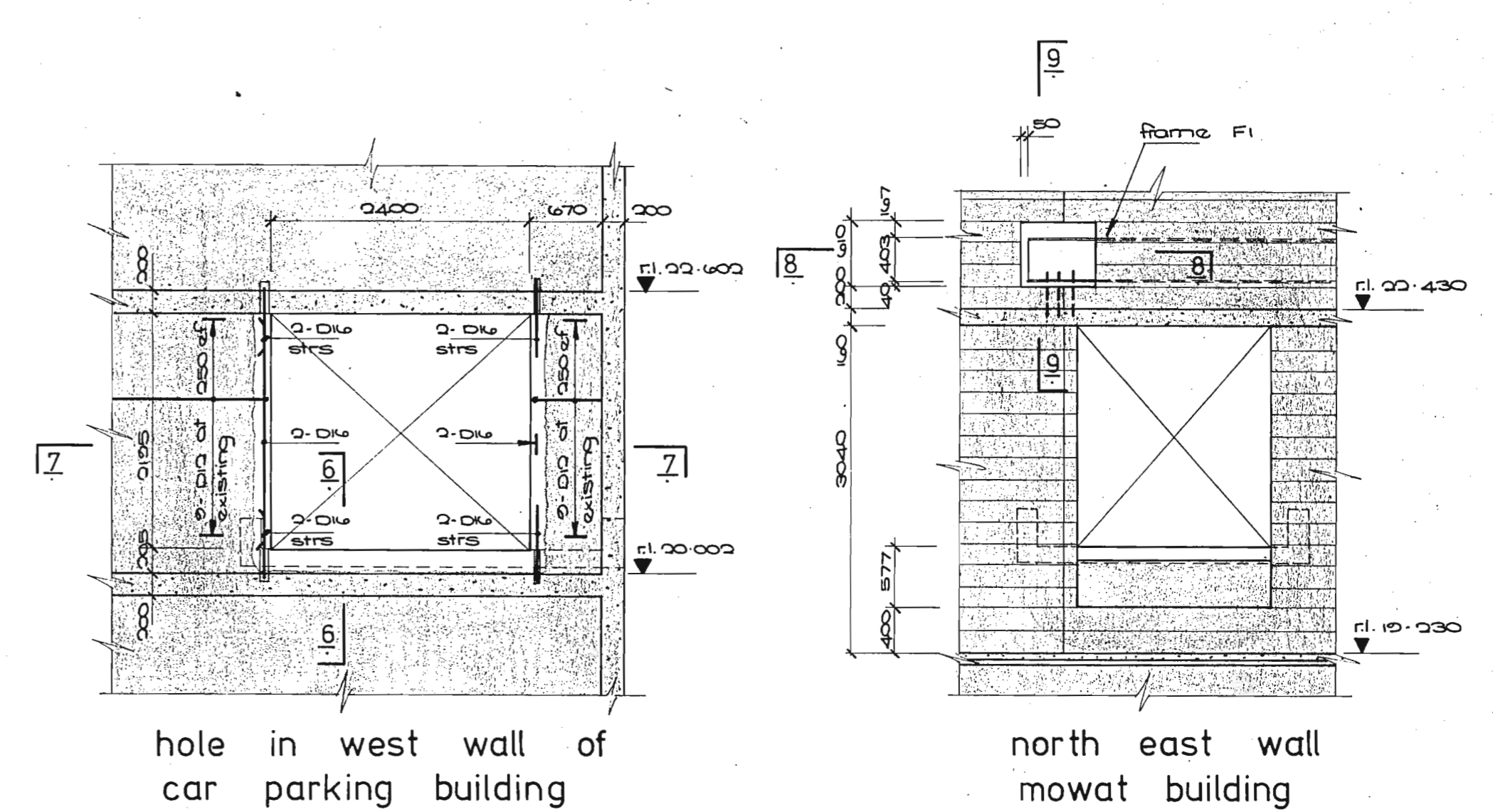
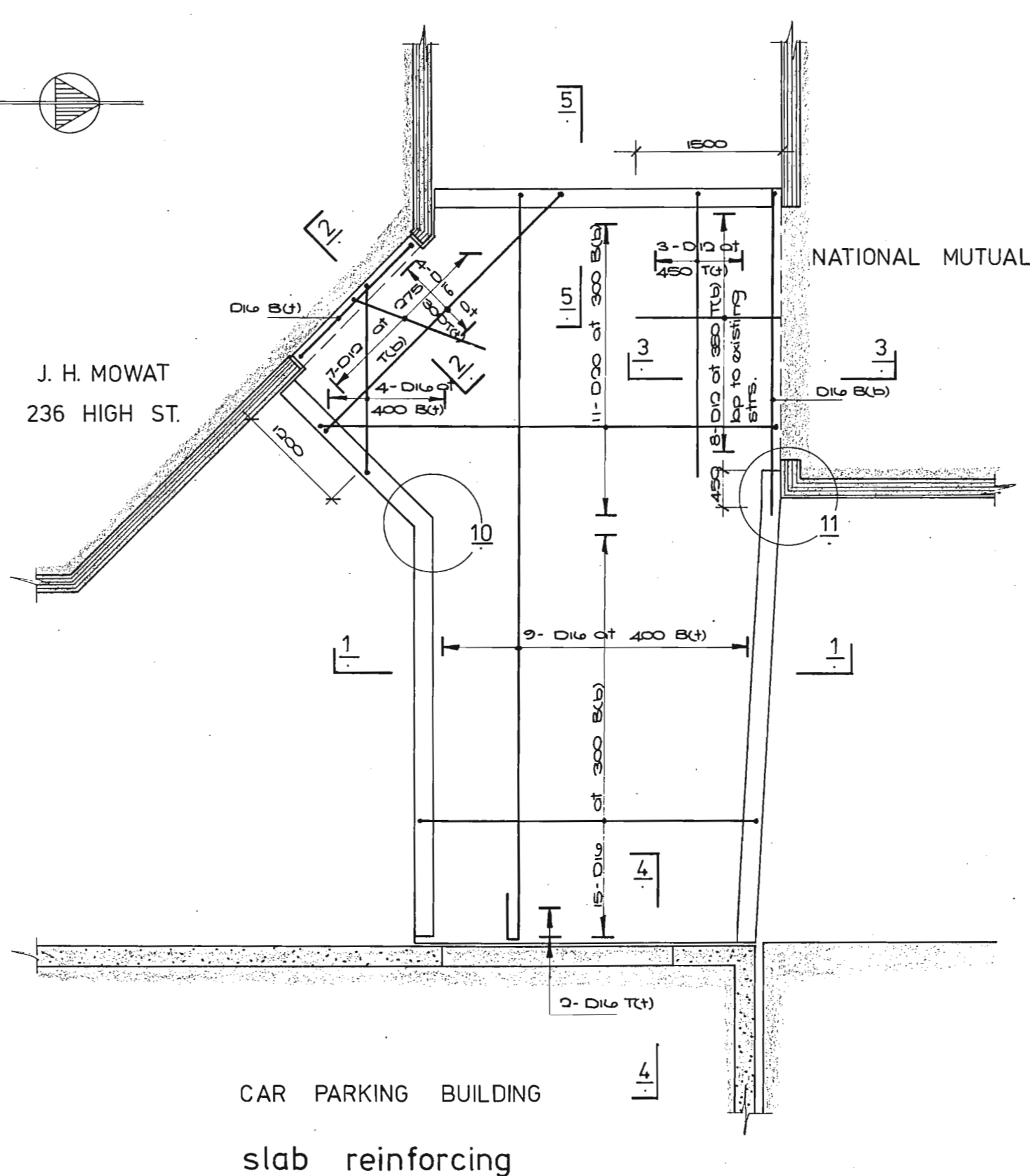
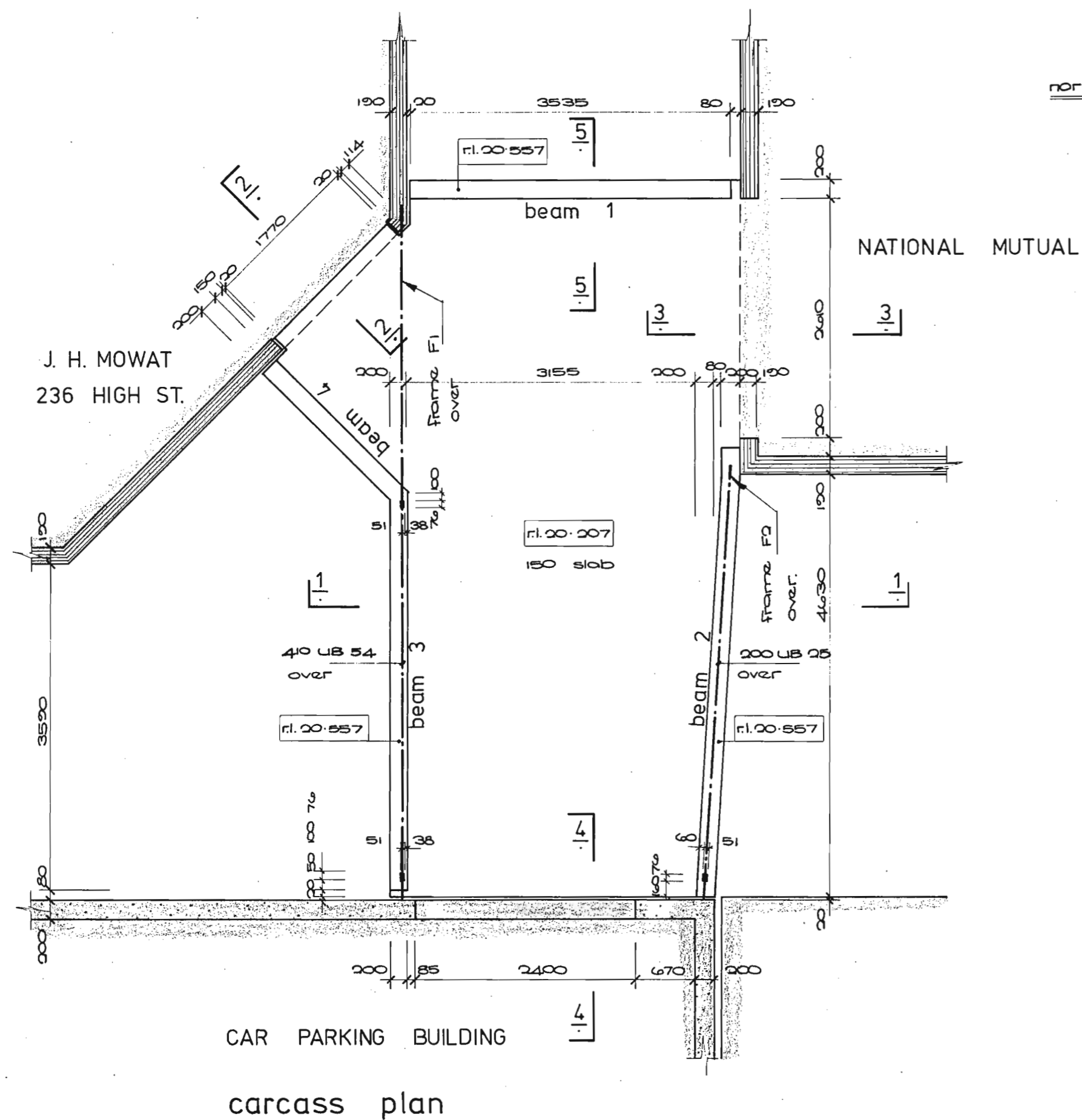
CROSS SECTION C-C



ELEVATION OF SMOKE STOP DOORS (D67)

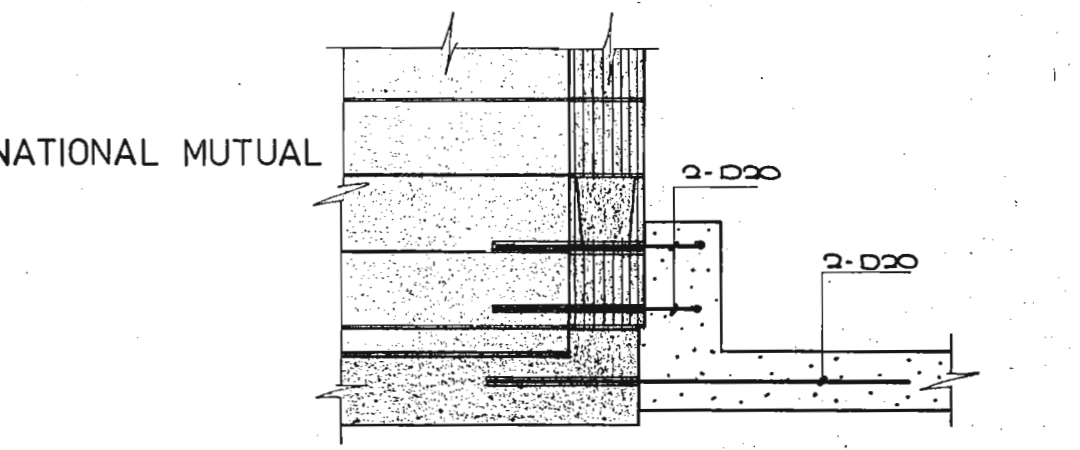
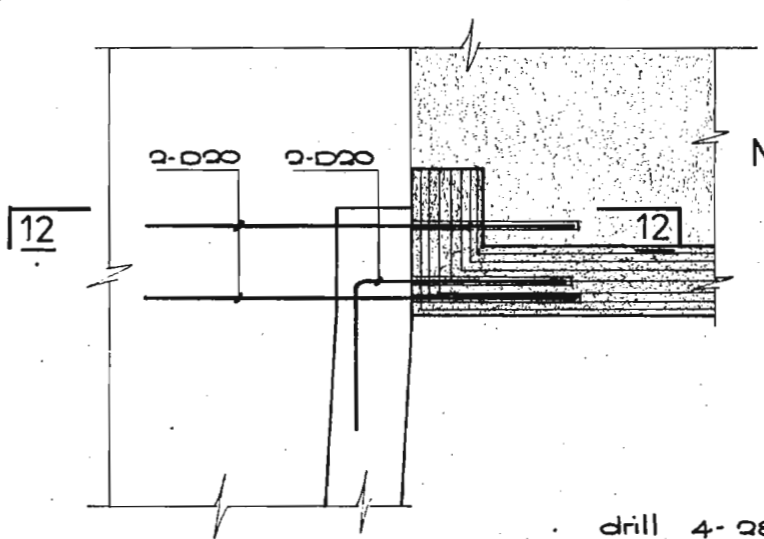
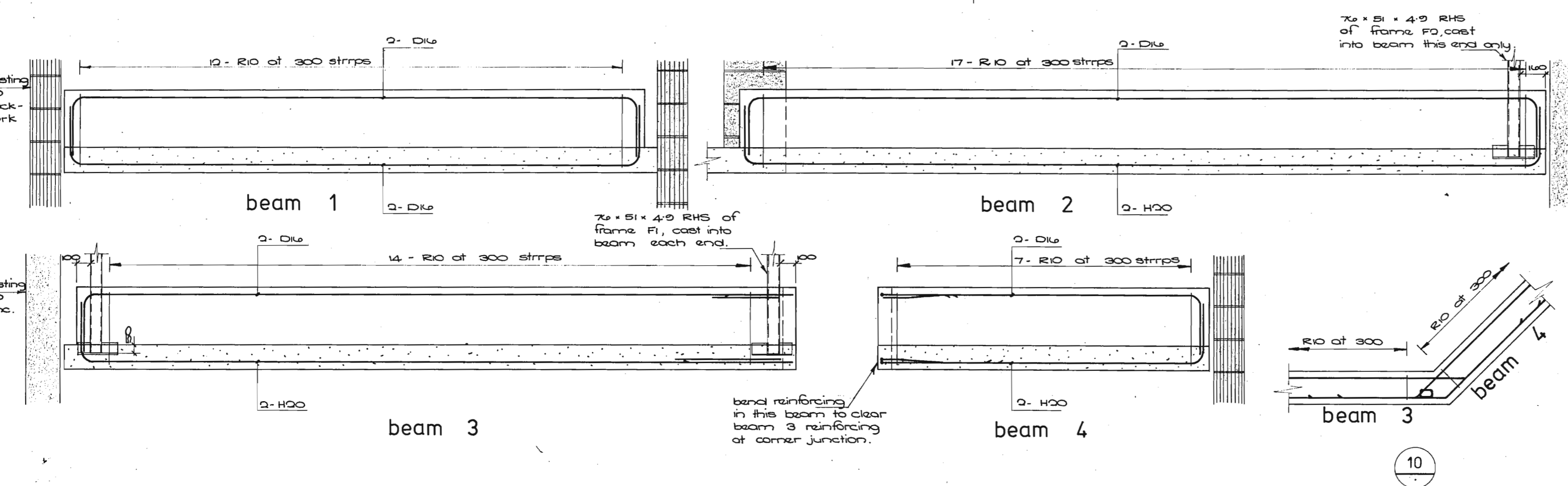
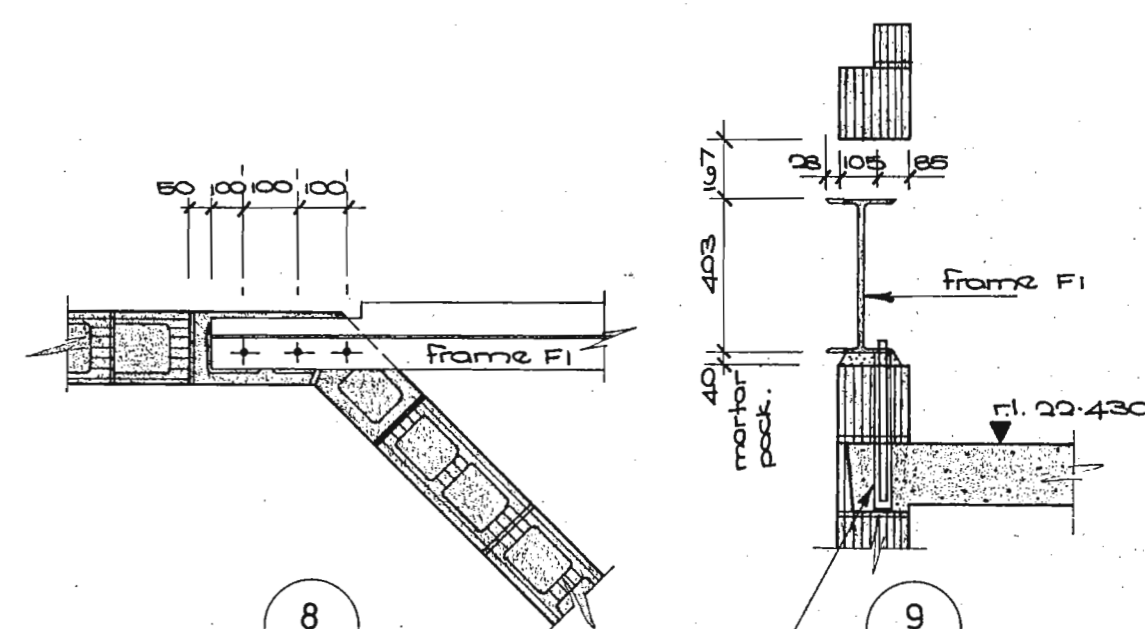
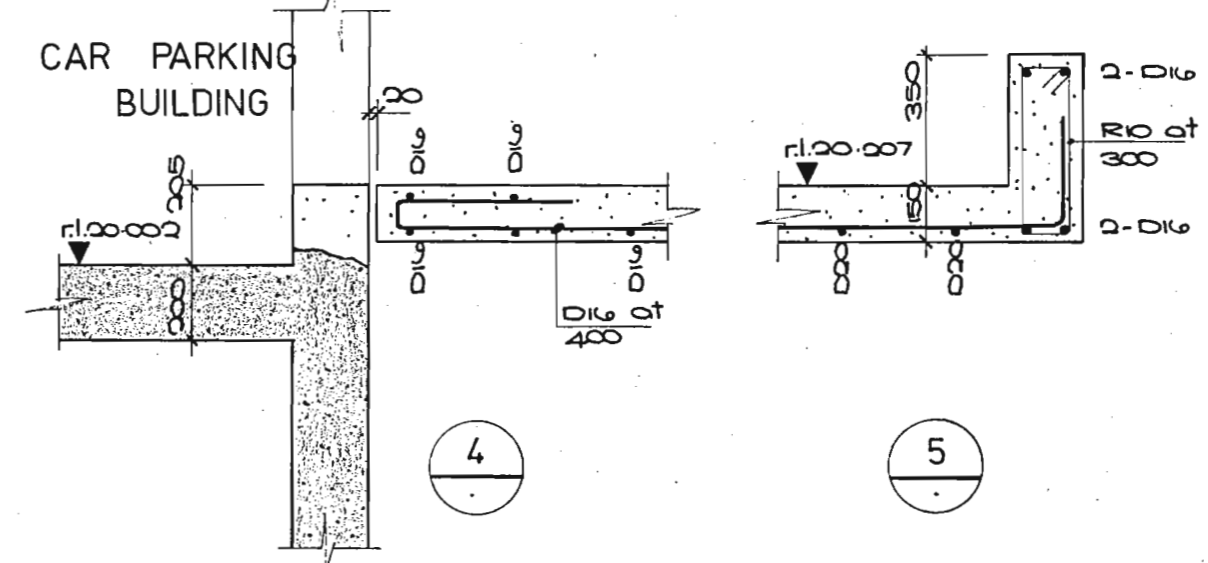
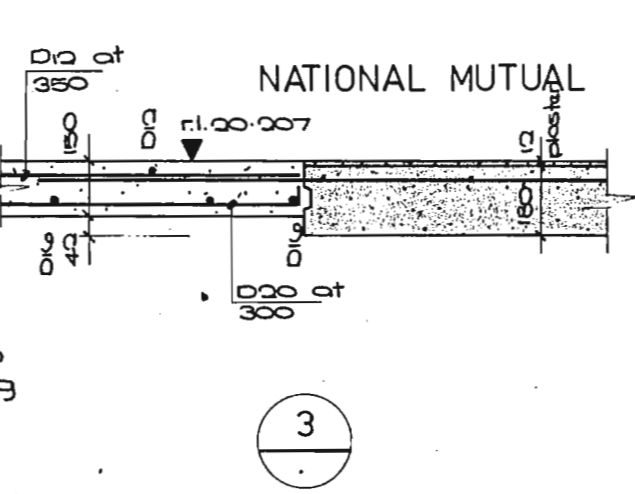
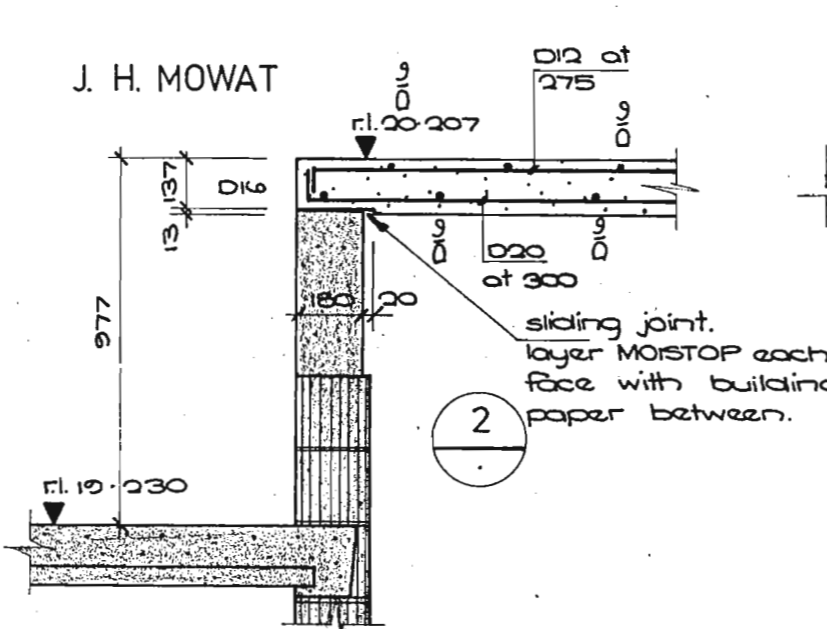
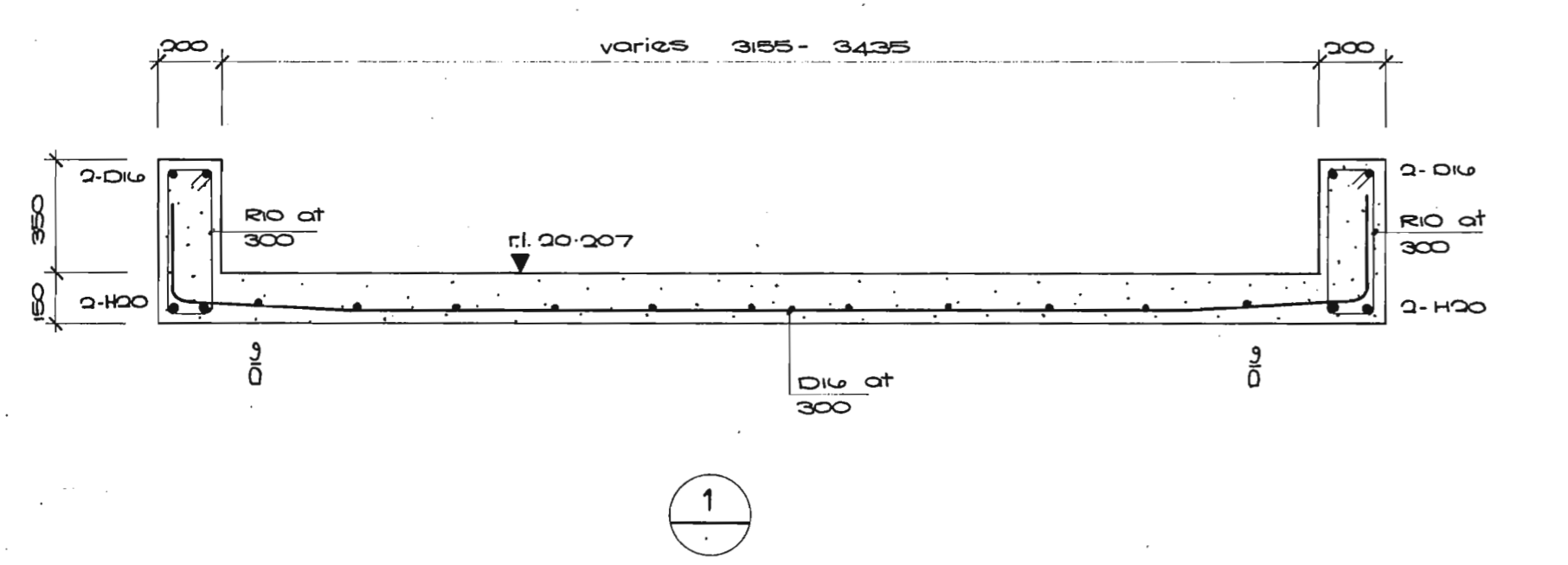


CHRISTCHURCH CITY COUNCIL
Approved Subject to the By-Laws
14 DEC 1979
For City Engineer



car parking building note.

- cut hole oversize as shown.
- drill 24 dia holes 300 long in existing concrete and grout in 750 long 16 dia starters with approved epoxy grout.
- place 2-16 dia trim bars up each jamb.
- cut back existing horizontal reinforcing at jamba and sill, and bend round trim bars.
- cast new concrete as shown to achieve the dimensioned opening size.



drill 4-28 dia holes 400 lg in existing building.
 2-20 dia deformed ms bars, 1100 lg.
 epoxy grout into floor slab.
 2-20 dia deformed ms bars, 950 lg bent as shown.
 epoxy grout

note: most dimensions shown are a guide only and must be checked on site.

CHRISTCHURCH CITY COUNCIL
 Approved Subject to the By-Laws
 14 DEC 1979

Warren & Mahoney
 Registered Architects
 Christchurch

Holmes Wood Poole & Johnstone
 Consulting Civil & Structural Engineers
 Christchurch & Wellington

REDEVELOPMENT HIGH ST. & HEREFORD ST. CHRISTCHURCH
 NATIONAL MUTUAL LIFE ASSOCIATION OF AUSTRALASIA LTD.

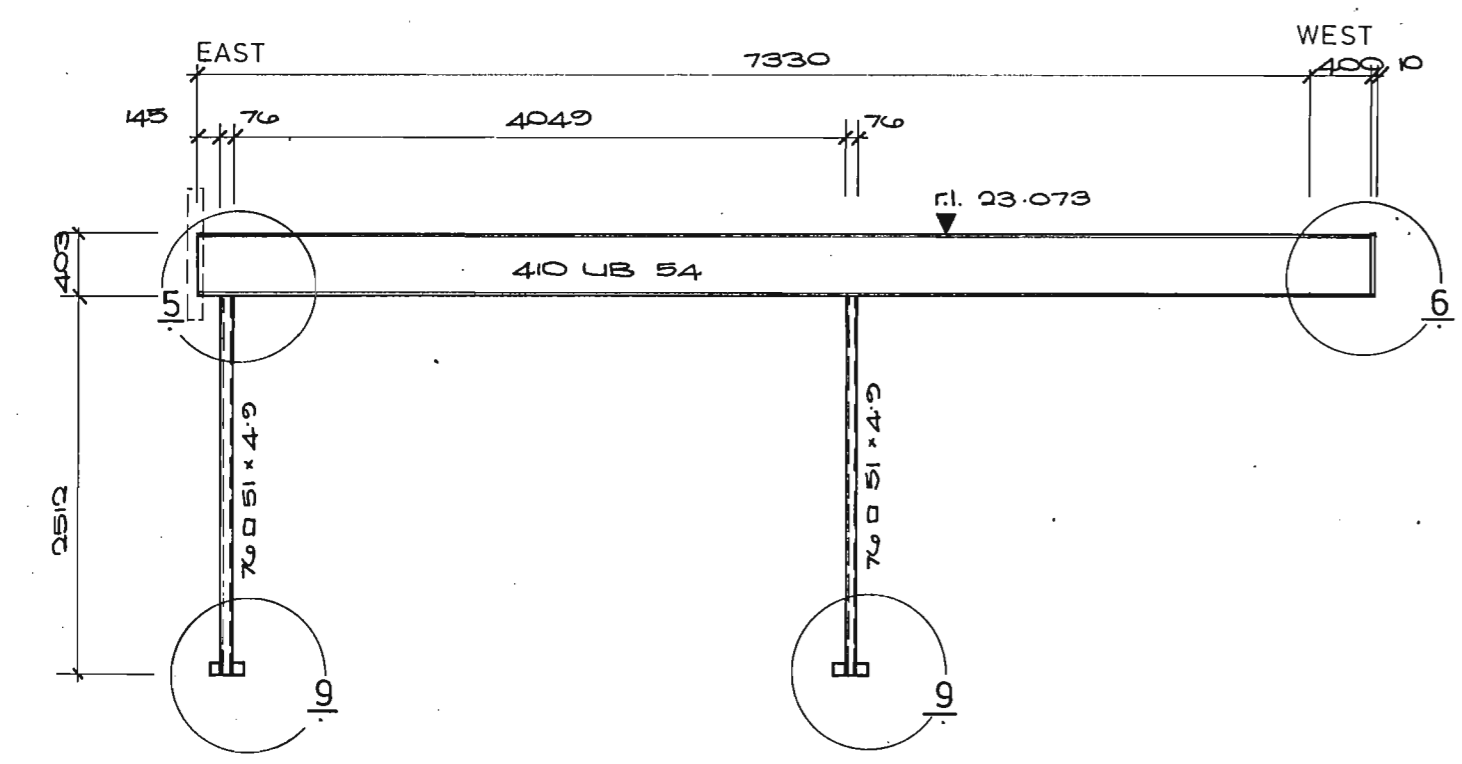
ARCADE - WALKWAY BRIDGE
 CONCRETE DETAILS

Scale	1:50
	1:20
Drawn	T. J. H.
Traced	T. J. H./G. M. S.
Approved	R. A. P.

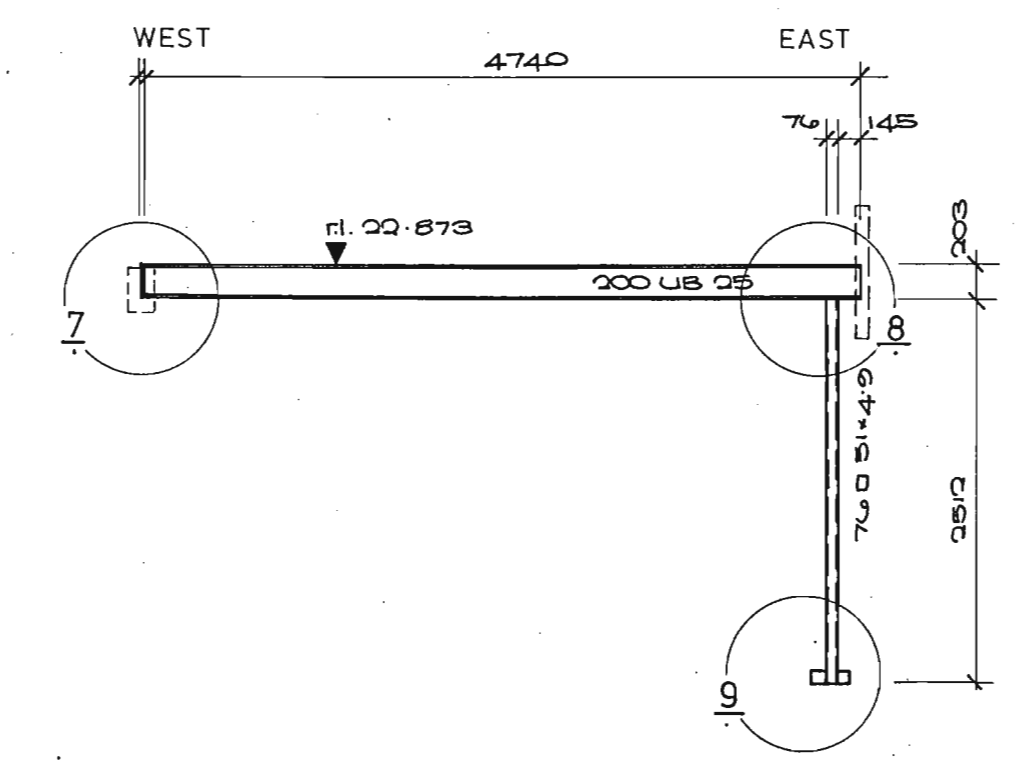
D	
C	
B	
A	

660/S55

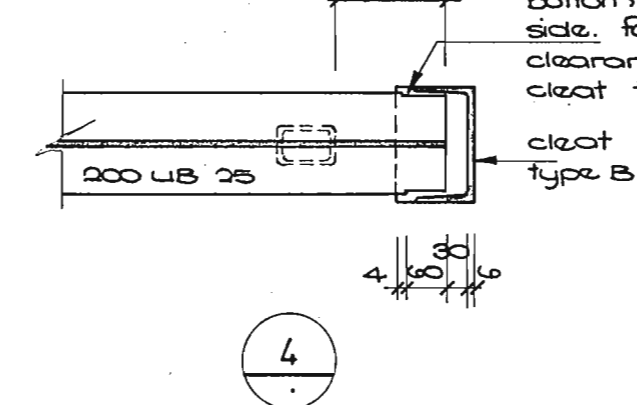
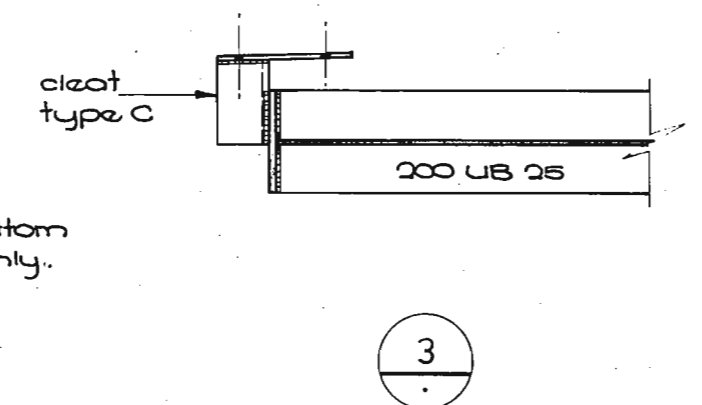
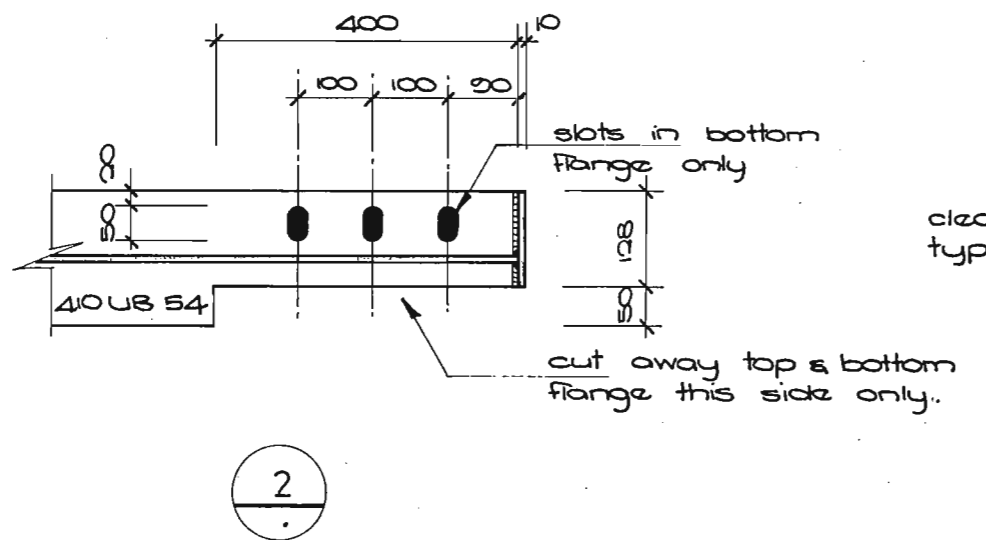
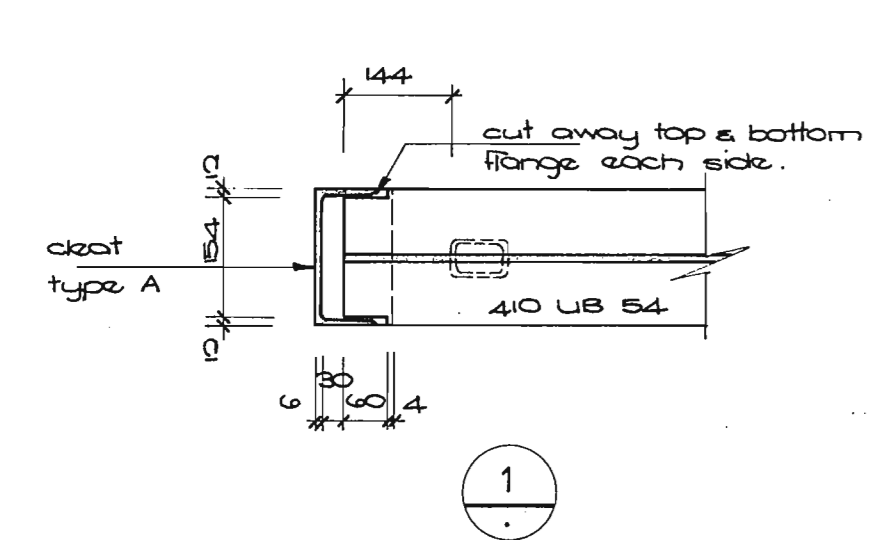
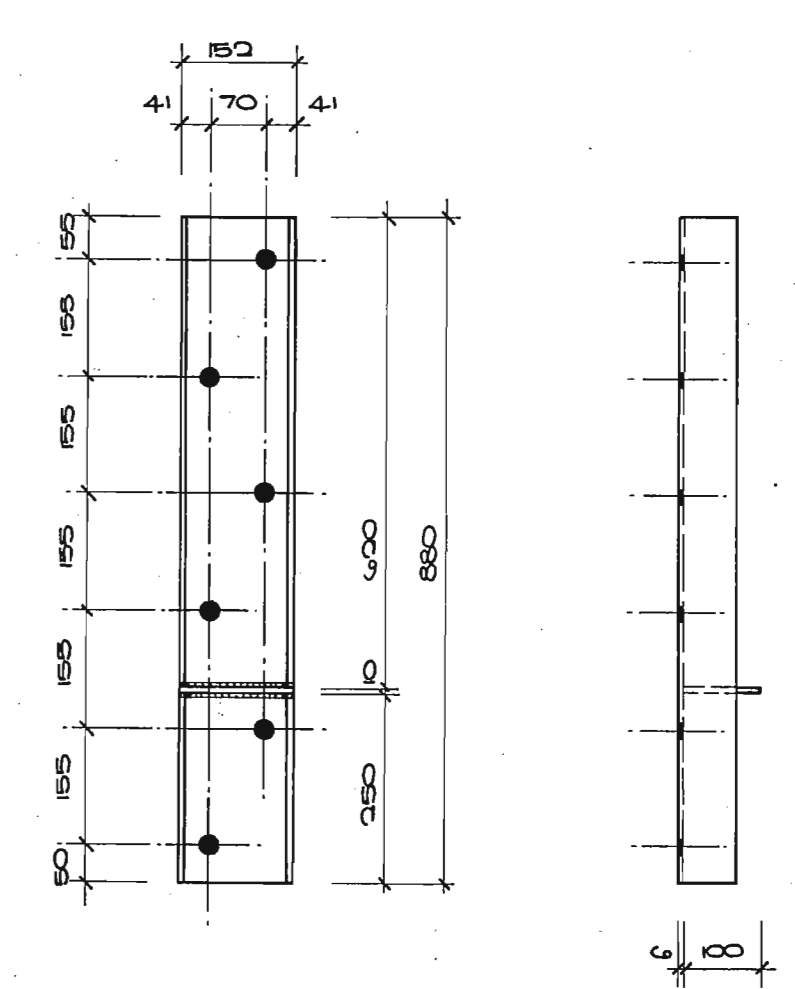
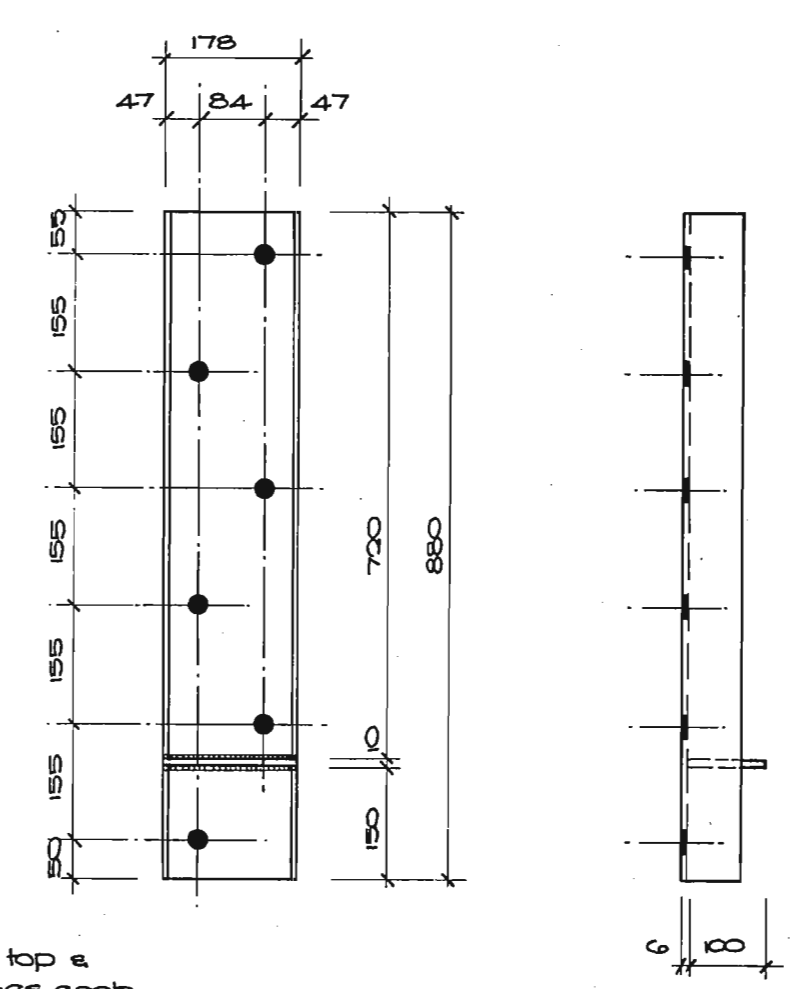
The Contractor shall verify all dimensions prior to commencing work



frame F1 : 1 off

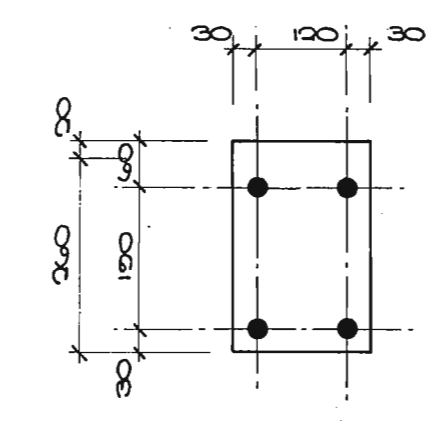
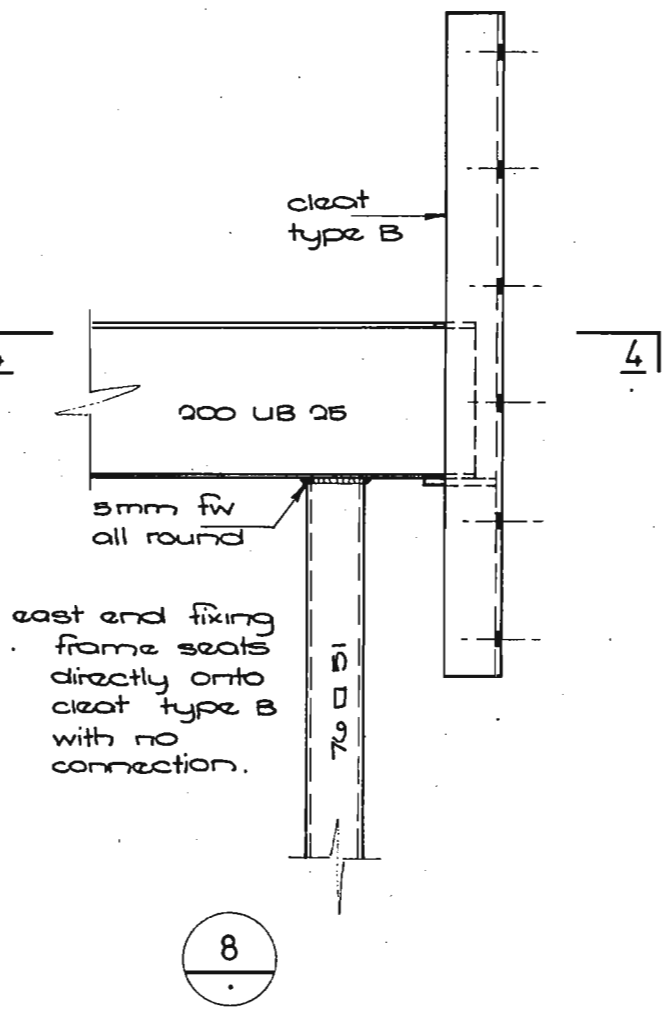
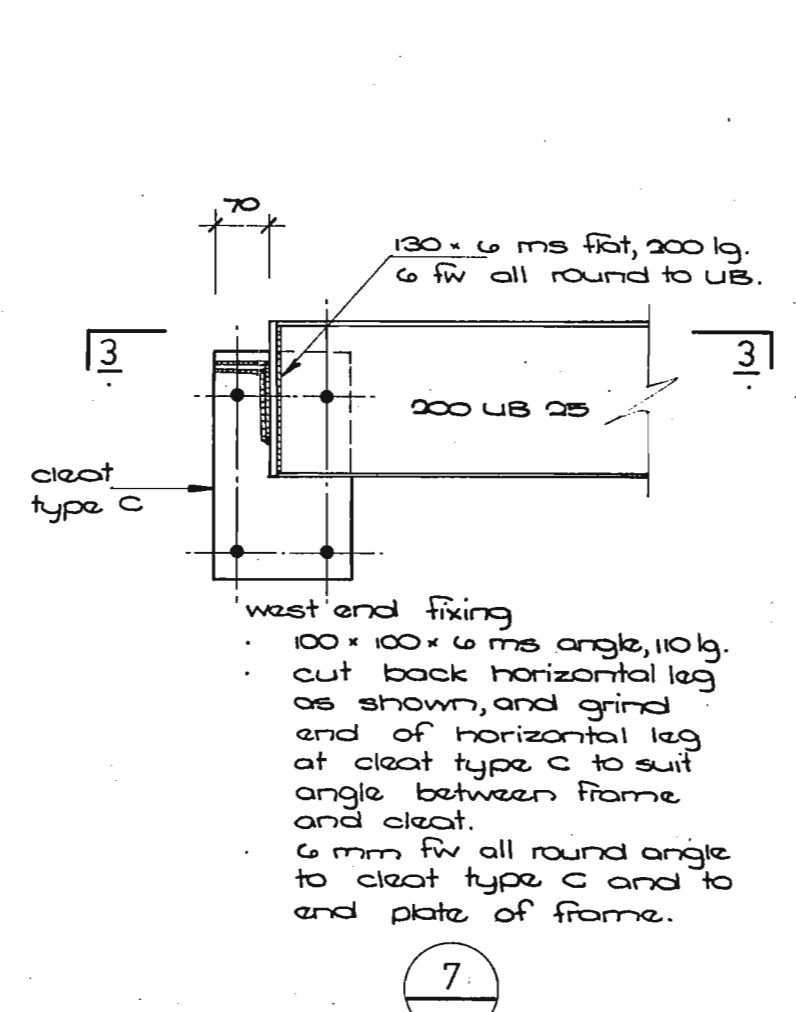
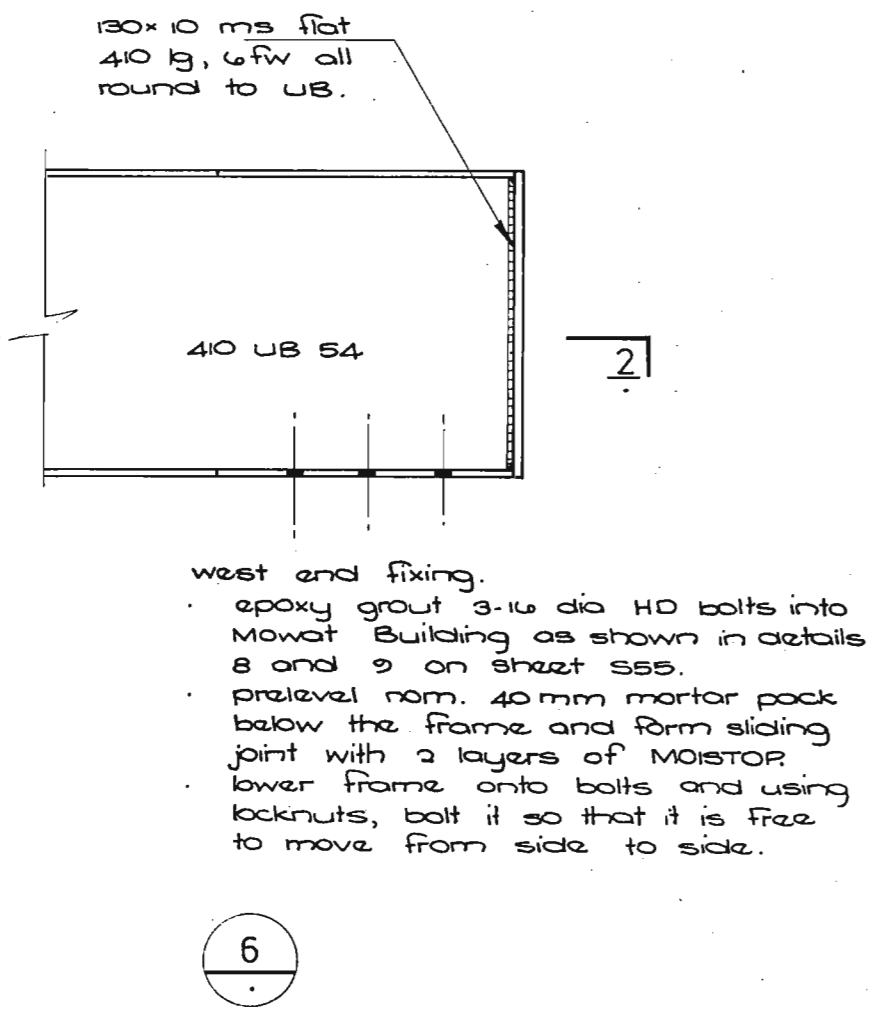
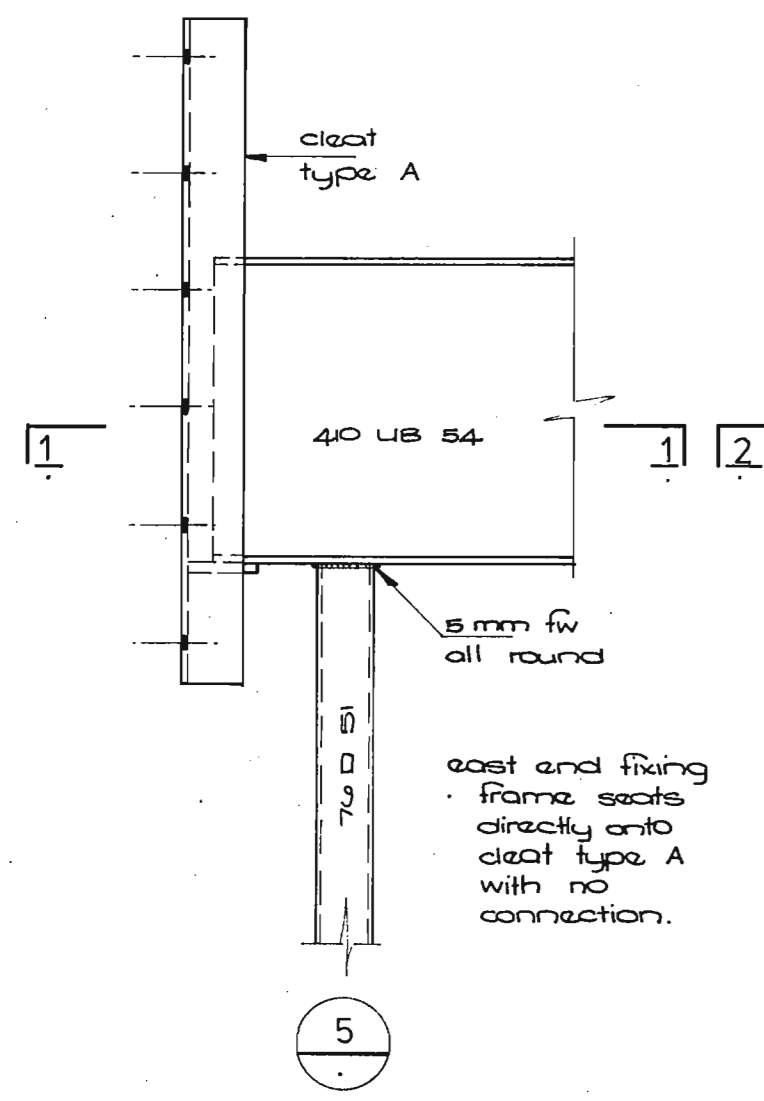


frame F2 : 1 off

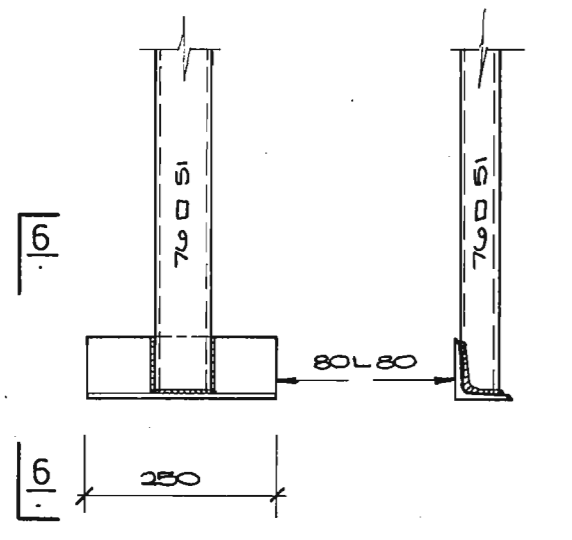


cleat type A : 1 off
 178 x 76 x 21 ms channel, 880 lg.
 drill 6-22 dia holes for 6-20 dia loose type RAWLBOLTS drilled into the west wall of the Car Parking building.
 100 x 10 ms flat, ex 178 lg cut to fit inside 178 c 76.
 5 fw both sides of flat to 178 c 76.

cleat type B : 1 off
 152 x 76 x 18 ms channel, 880 lg.
 drill 6-22 dia holes for 6-20 dia loose type RAWLBOLTS drilled into the west wall of the Car Parking building.
 100 x 10 flat, ex 152 lg cut to fit inside 152 c 76.
 5 fw both sides of flat to 152 c 76.



cleat type C : 1 off
 180 x 6 ms flat, 200 lg.
 drill 4-24 dia holes for 4-20 dia loose type RAWLBOLTS drilled into the south wall of the National Mutual building.



80 x 80 x 6 ms angle, 250 lg.
 5 fw all round to 70 x 51.

CHRISTCHURCH CITY COUNCIL
 Approved Subject of the By-Laws
 14 DEC 1979
 For City Engineer

note: most dimensions shown are a guide only and must be checked on site.

Warren & Mahoney Registered Architects Christchurch
 Holmes Wood Poole & Johnstone Consulting Civil & Structural Engineers Christchurch & Wellington

REDEVELOPMENT HIGH ST. & HEREFORD ST. CHRISTCHURCH NATIONAL MUTUAL LIFE ASSOCIATION OF AUSTRALASIA LTD.

ARCADE - WALKWAY BRIDGE STRUCTURAL STEELWORK

Scale 1:50
 1:10
 Drawn T.J.H.
 Traced T.J.H./G.M.S.
 Approved R.A.P.

D
 C
 B
 A

27-11-79 Contract

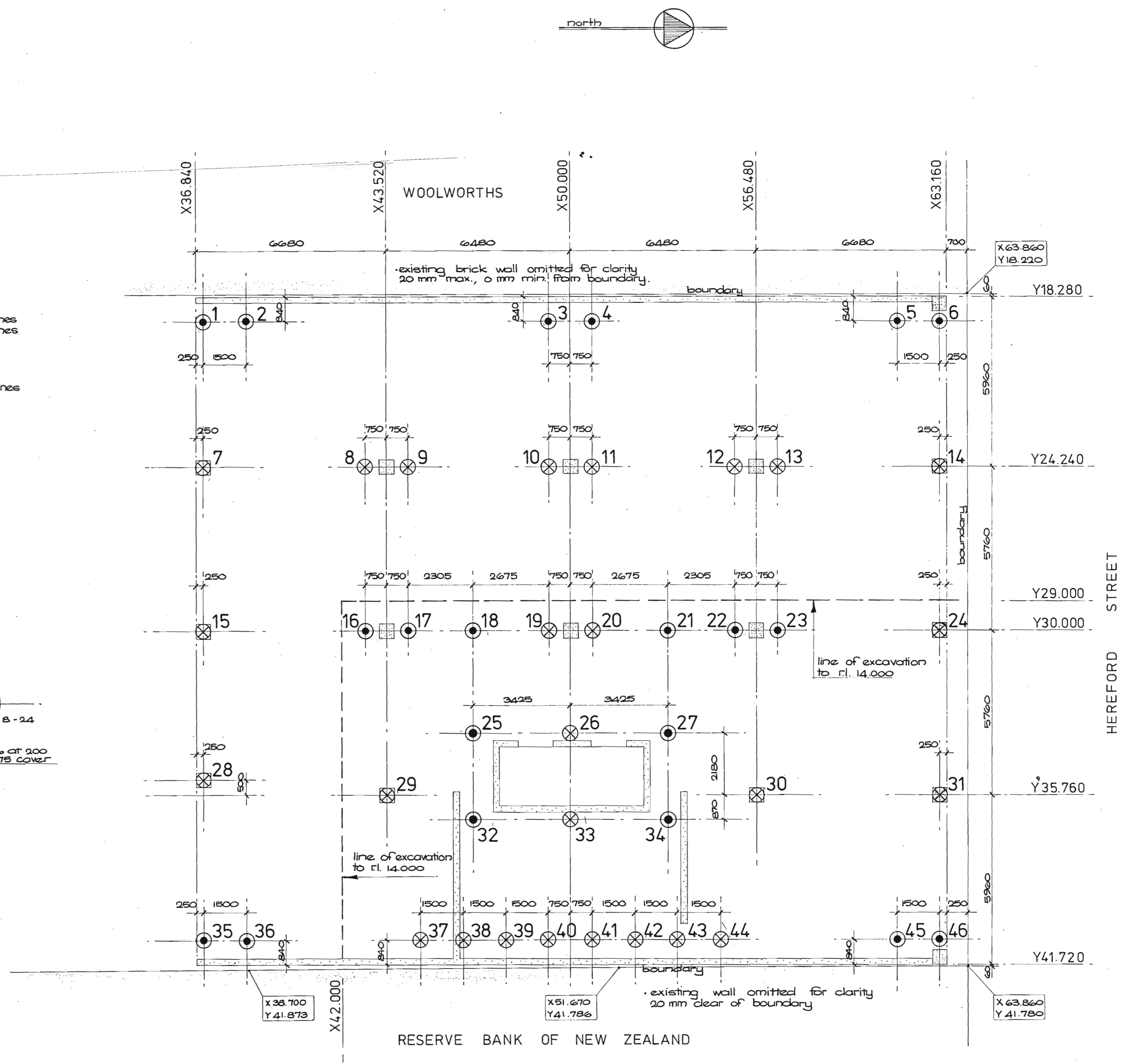
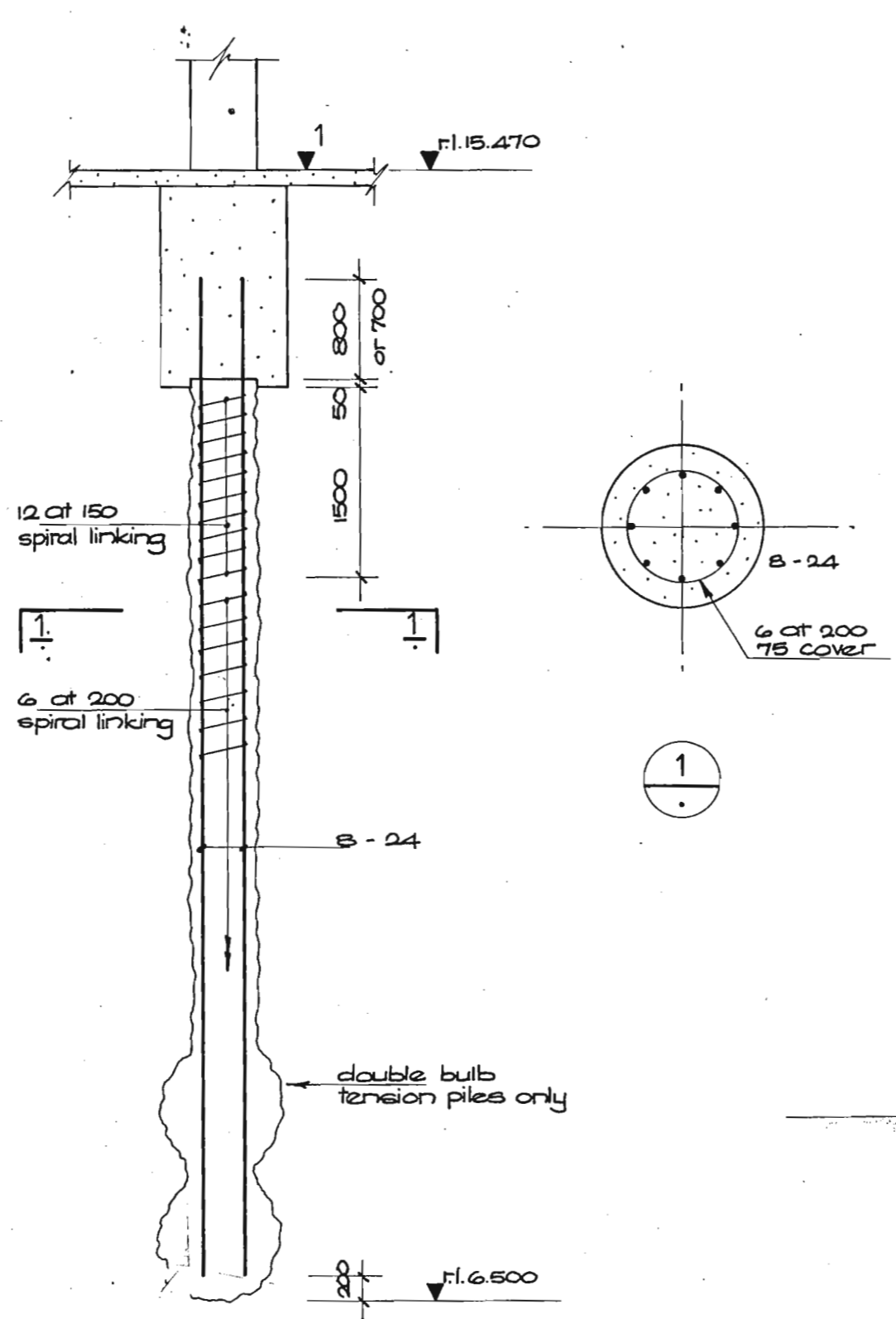
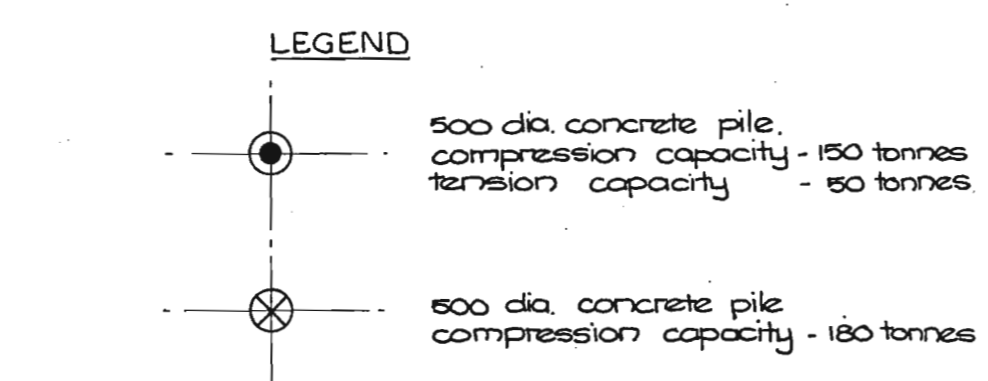
660/S56

The Contractor shall verify all dimensions prior to commencing work

2600/78

W

PILE	CO-ORDINATES		r.l. at top of conc.	r.l. at top of reinf.
1	X37.090	Y19.120	13.895	14.695
2	X38.590	"	"	"
3	X49.250	"	14.020	14.820
4	X50.750	"	"	"
5	X61.410	"	"	"
6	X62.910	"	"	"
7	X37.090	Y24.240	14.595	15.295
8	X42.770	"	"	"
9	X44.270	"	"	"
10	X49.250	"	"	"
11	X50.750	"	"	"
12	X55.730	"	"	"
13	X57.230	"	"	"
14	X62.910	"	"	"
15	X37.090	Y30.000	"	"
16	X42.770	"	13.795	14.595
17	X44.270	"	"	"
18	X46.575	"	12.795	13.595
19	X49.250	"	13.795	14.595
20	X50.750	"	"	"
21	X53.425	"	12.795	13.595
22	X55.730	"	13.795	14.595
23	X57.230	"	"	"
24	X62.910	"	14.595	15.295
25	X46.575	Y33.580	12.795	13.595
26	X50.000	"	13.920	14.020
27	X53.425	"	12.795	13.595
28	X37.090	Y35.060	14.595	15.295
29	X43.520	Y35.760	"	"
30	X56.480	"	"	"
31	X62.910	"	"	"
32	X46.575	Y36.630	12.795	13.595
33	X50.000	"	13.920	14.020
34	X53.425	"	12.795	13.595
35	X37.090	Y40.880	13.895	14.695
36	X38.590	"	"	"
37	X44.750	"	13.920	14.020
38	X46.250	"	"	"
39	X47.750	"	"	"
40	X49.250	"	"	"
41	X50.750	"	"	"
42	X52.250	"	"	"
43	X53.750	"	"	"
44	X55.250	"	"	"
45	X61.410	"	14.020	14.820
46	X62.910	"	"	"



NOTE: all levels to C.D.B. datum

CHRISTCHURCH CITY C.C.
Approved Subject to the By-Laws
-7 DEC 1978
For City Engineer

Warren & Mahoney
Registered Architects
Christchurch

Holmes Wood Poole & Johnstone
Consulting Civil & Structural Engineers
Christchurch & Wellington

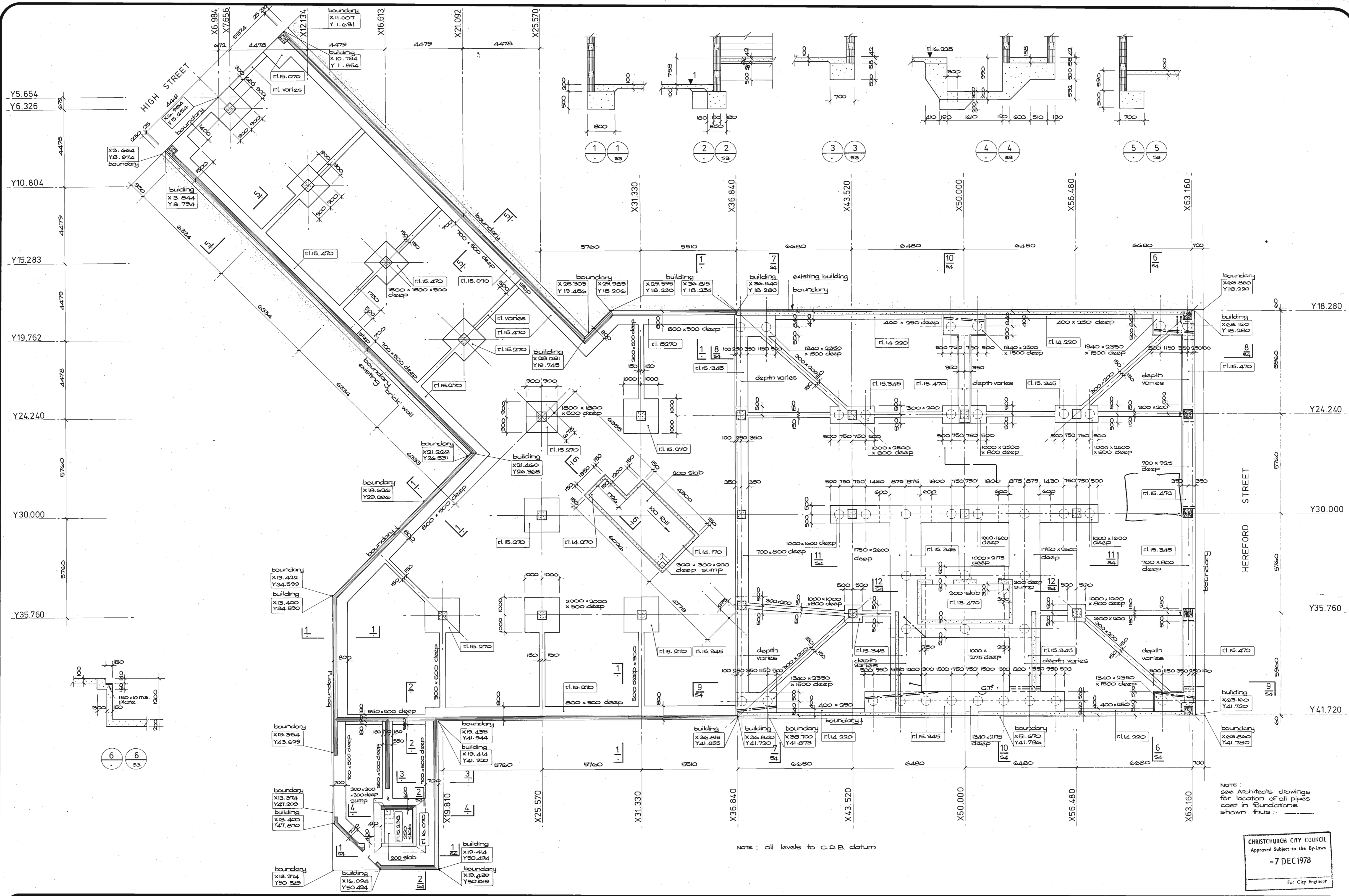
REDEVELOPMENT HIGH ST. & HEREFORD ST. CHRISTCHURCH
NATIONAL MUTUAL LIFE ASSOCIATION OF AUSTRALASIA LTD.

PILE PLAN SETOUT
PILE DETAILS

Scale 1:100
Drawn S. J. K.
Traced S. L. S.
Approved R. a. ?

D
C
B
A
15.9.78 Contract

660/S1
The Contractor shall verify all dimensions prior to commencing work



Warren & Mahoney
Registered Architects
Christchurch

Holmes Wood Poole & Johnstone
Consulting Civil & Structural Engineers
Christchurch & Wellington

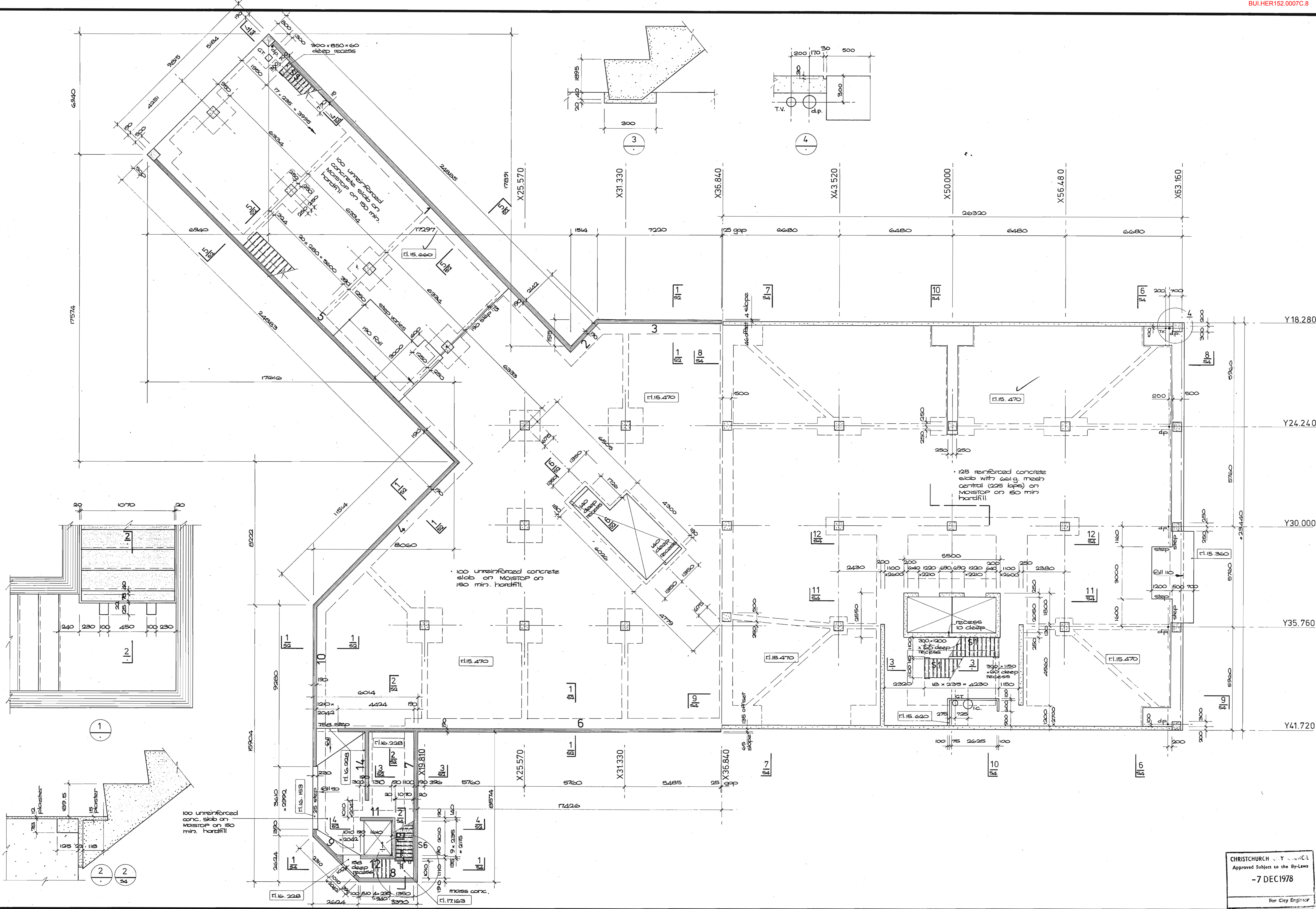
REDEVELOPMENT HIGH ST. & HEREFORD ST. CHRISTCHURCH
NATIONAL MUTUAL LIFE ASSOCIATION OF AUSTRALASIA LTD.

CARCASS
FOUNDATION PLAN

Scale 1:100
1:50
Drawn S.J.K.
Traced S.L.S.
Approved R.A.P.

D
C
B
A
15.9.78 Contract

660/S2
The Contractor shall verify all dimensions prior to commencing work



CHRISTCHURCH CITY COUNCIL
 Approved Subject to the By-Laws
 -7 DEC 1978
 For City Engineer

Warren & Mahoney
 Registered Architects
 Christchurch

Holmes Wood Poole & Johnstone
 Consulting Civil & Structural Engineers
 Christchurch & Wellington

REDEVELOPMENT HIGH ST. & HEREFORD ST. CHRISTCHURCH
 NATIONAL MUTUAL LIFE ASSOCIATION OF AUSTRALASIA LTD.

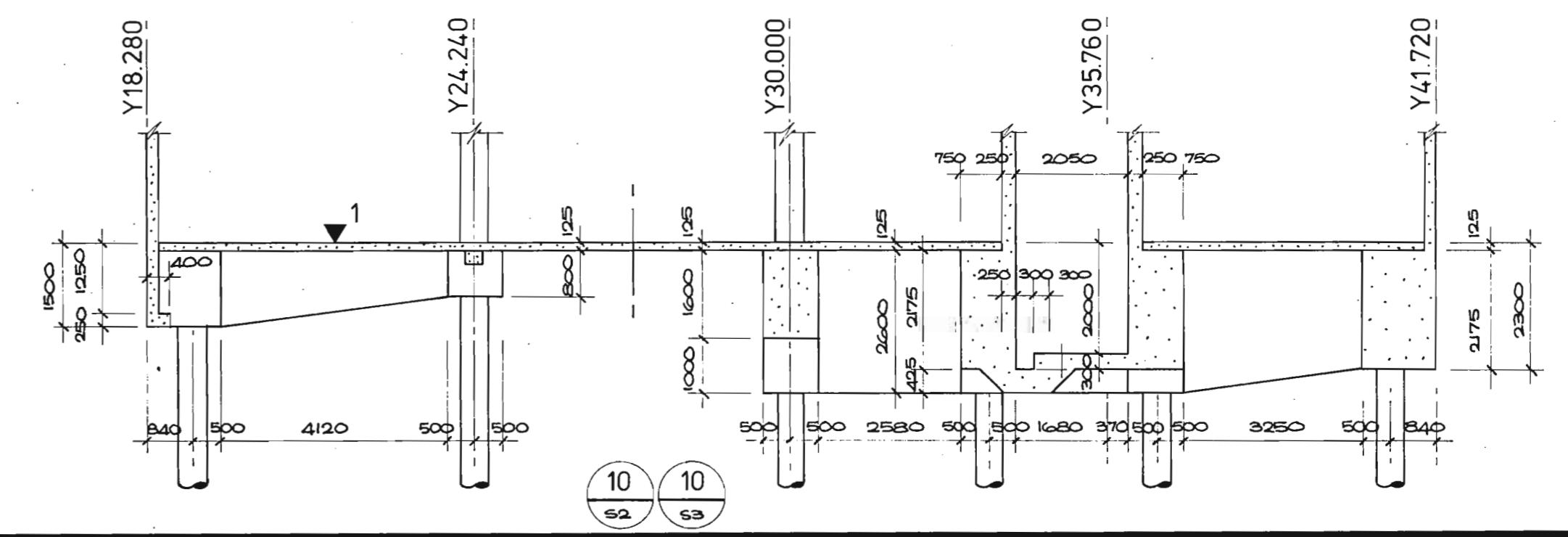
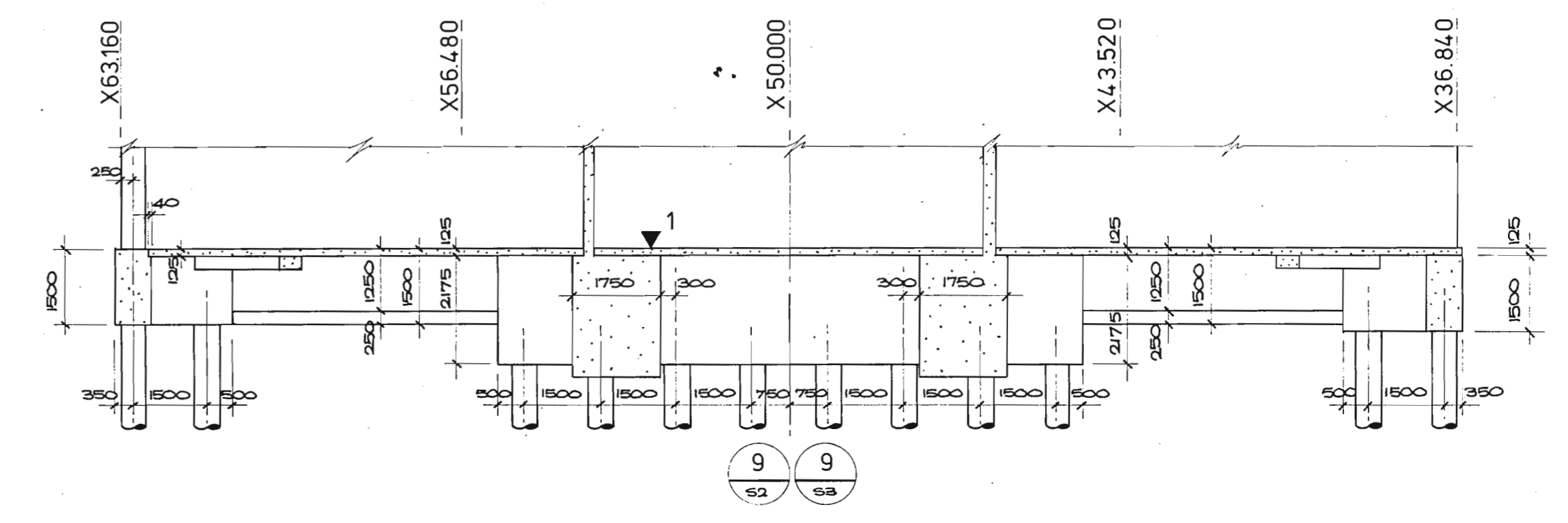
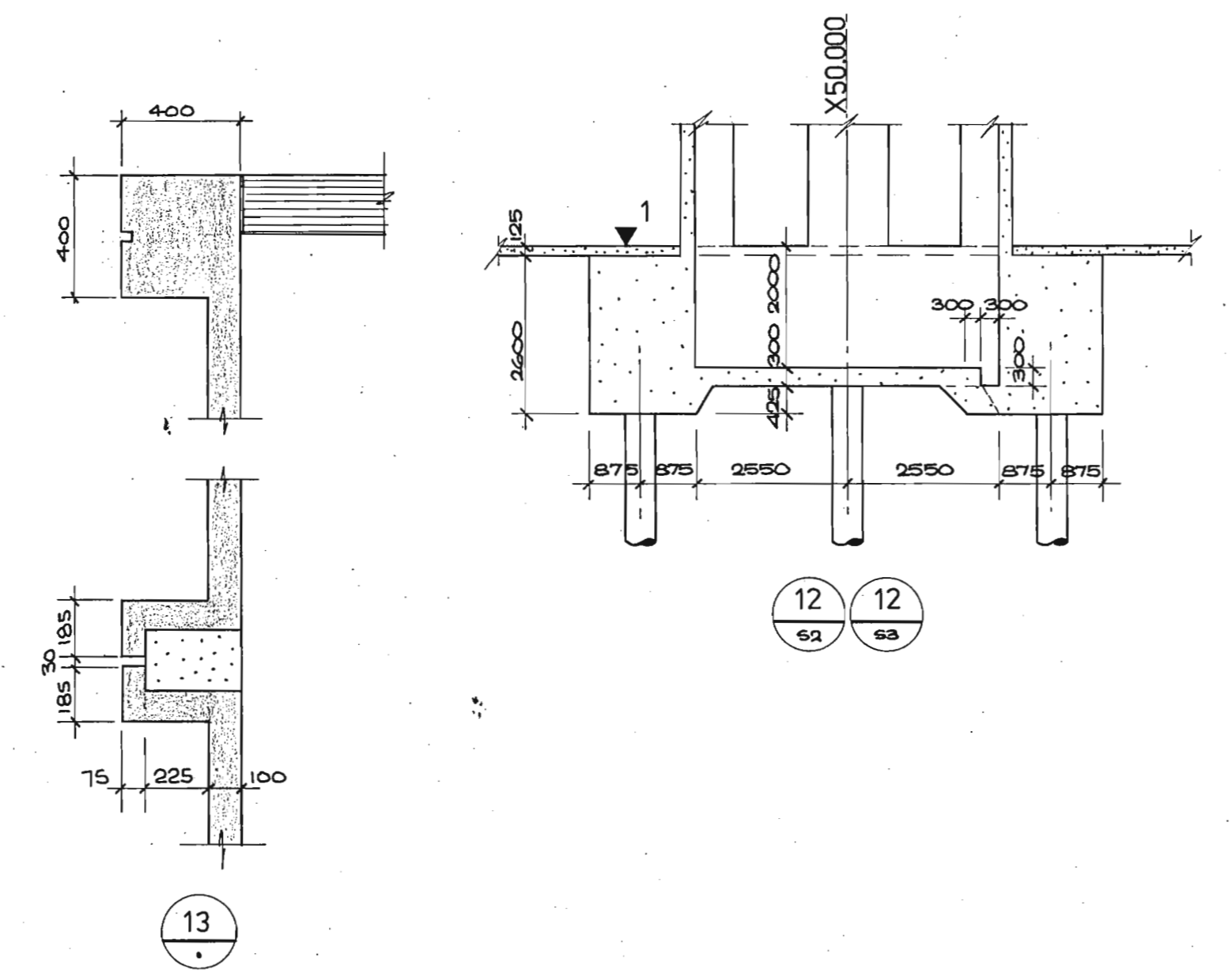
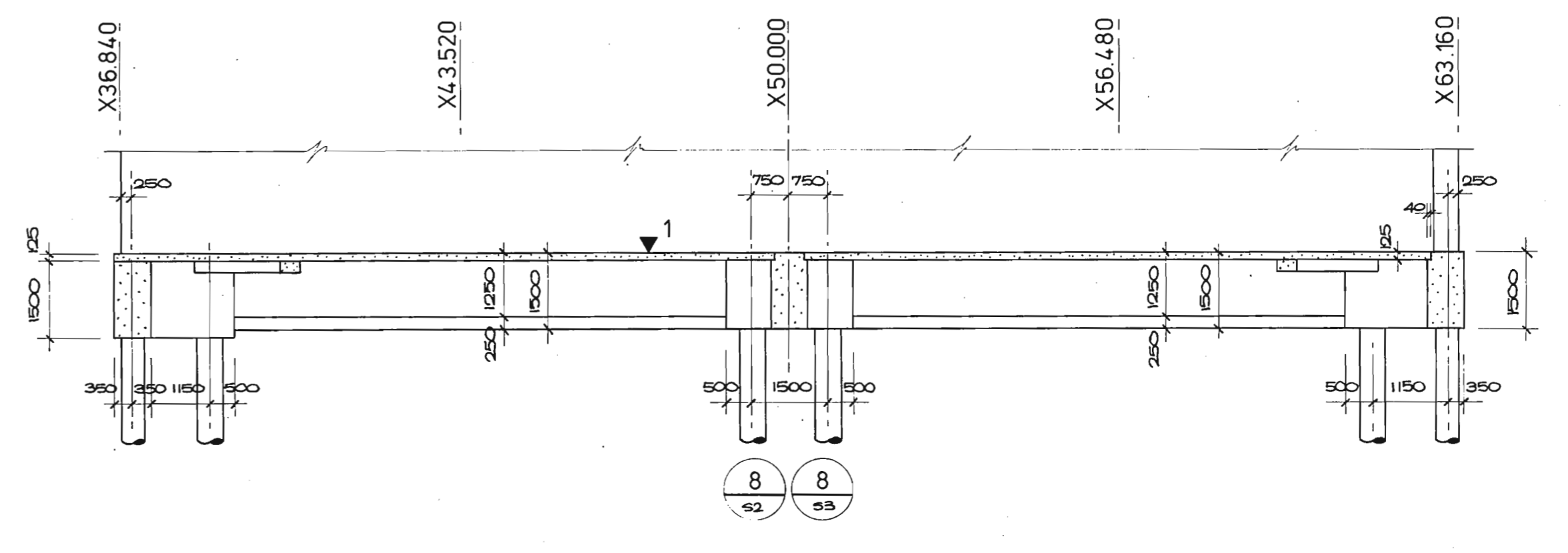
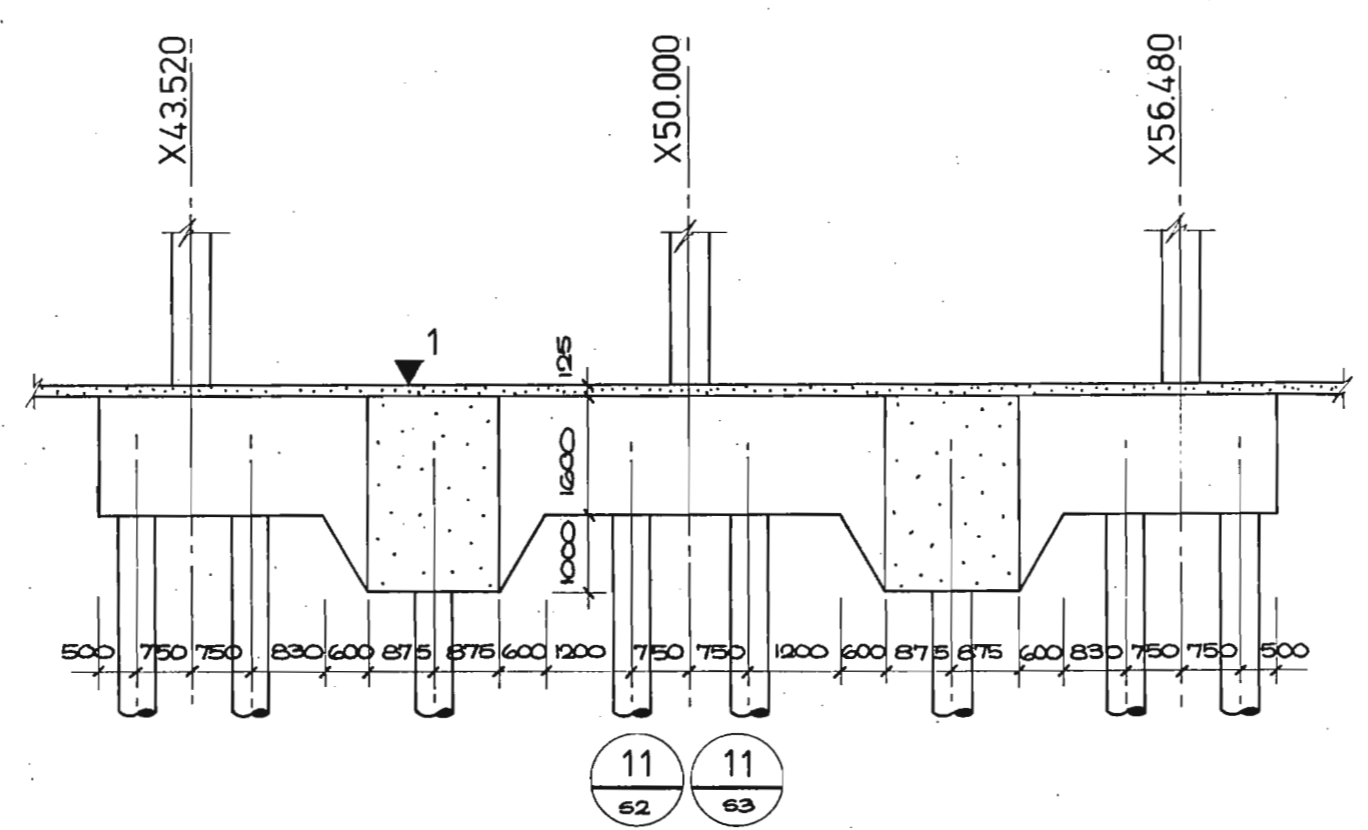
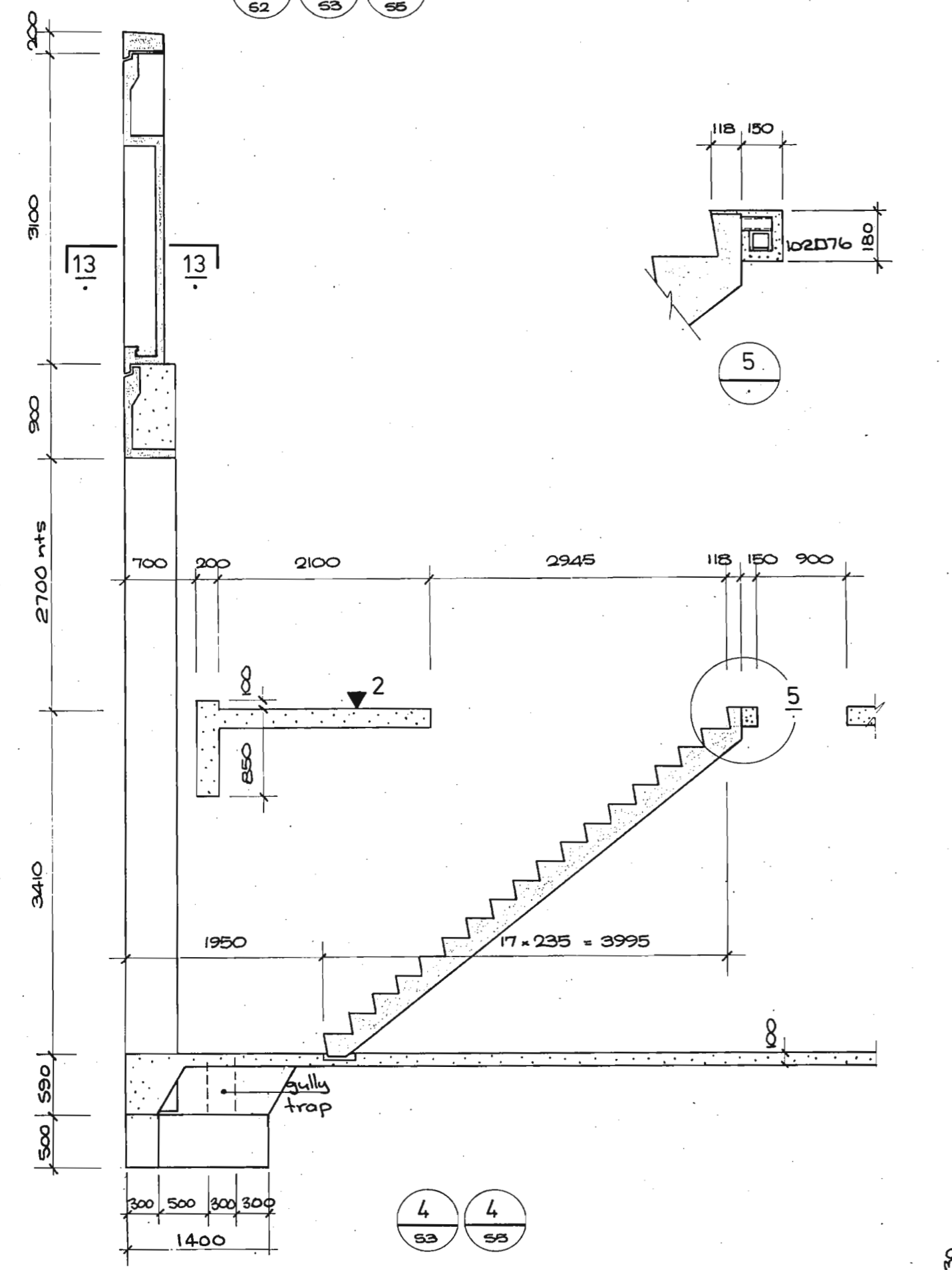
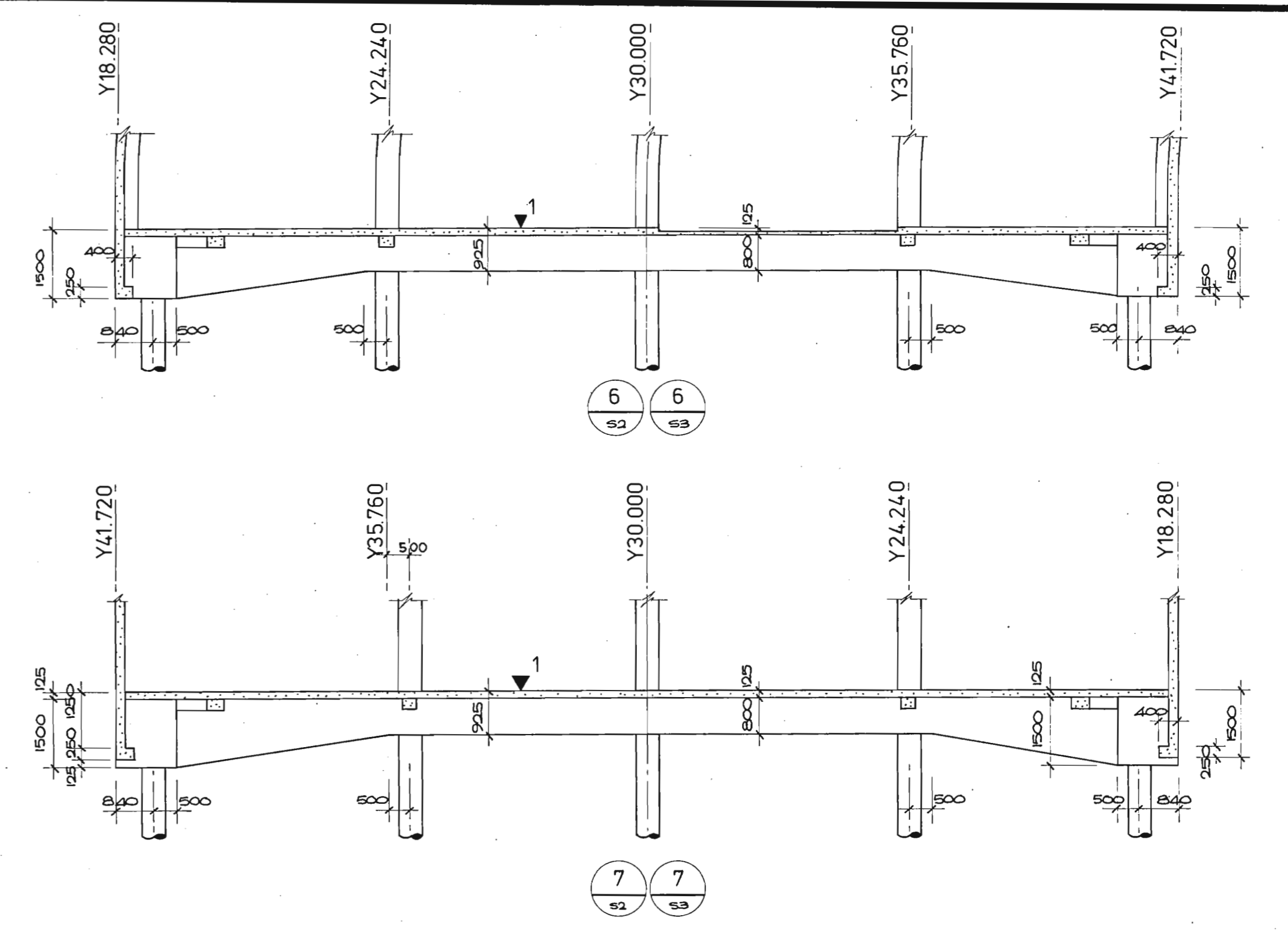
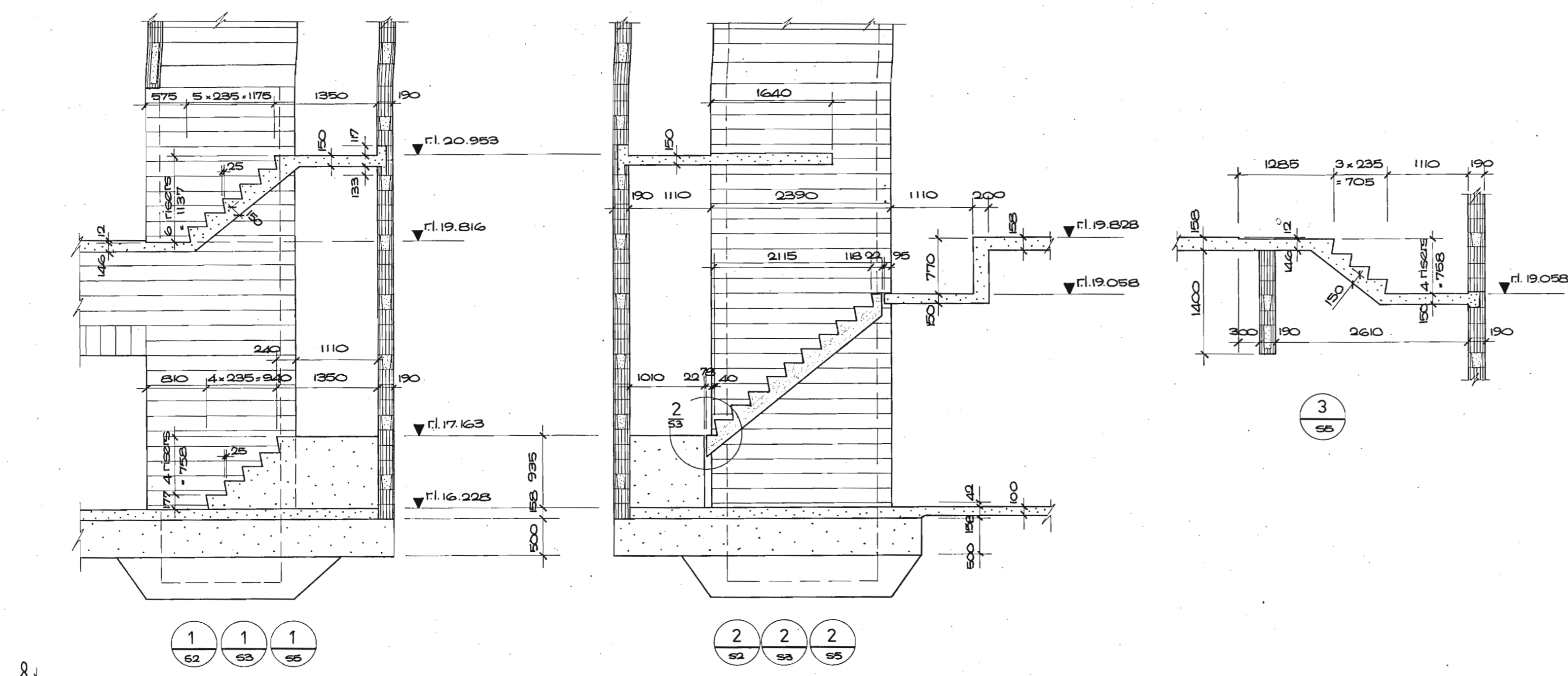
CARCASS
 LEVEL 1 PLAN

Scale 1:100 1:10
 1:20
 Drawn S. J. K.
 Traced S. L. S.
 Approved R. A. P.

D
 C
 B
 A
 15.9.78 Contract

660/S3

The Contractor shall verify all dimensions prior to commencing work



Warren & Mahoney
Registered Architects
Christchurch

Holmes Wood Poole & Johnstone
Consulting Civil & Structural Engineers
Christchurch & Wellington

REDEVELOPMENT HIGH ST. & HEREFORD ST. CHRISTCHURCH
NATIONAL MUTUAL LIFE ASSOCIATION OF AUSTRALASIA LTD.

CARCASS
SECTIONS

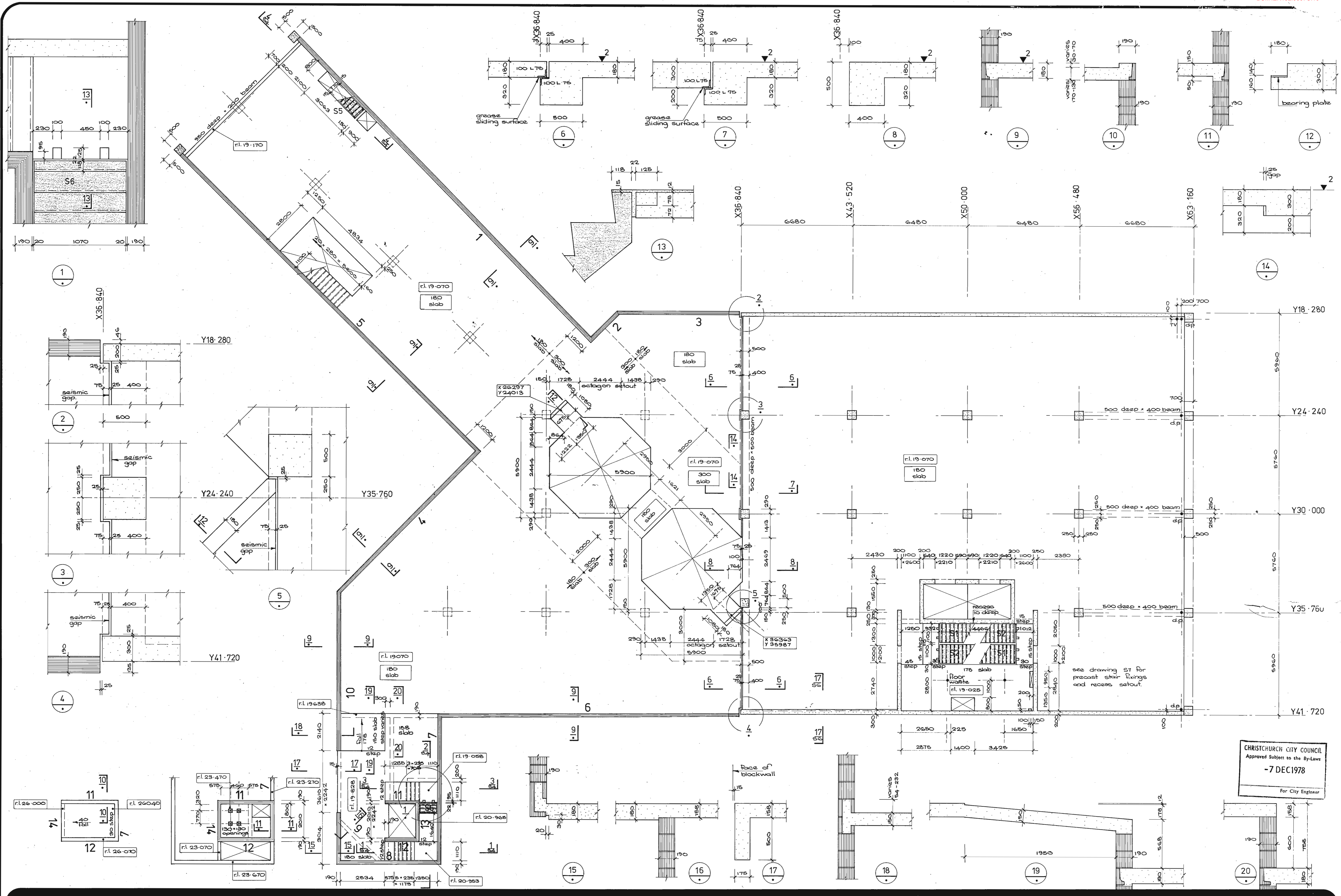
Scale 1:100 1:50
1:20
Drawn S. J. K.
Traced S. L. S.
Approved R. A. P.

D
C
B
A
15.9.78 Contract

CHRISTCHURCH CITY COUNCIL
Approved Subject to the By-Laws
-7 DEC 1978
For City Engineer

660/S4

The Contractor shall verify all dimensions prior to commencing work



CHRISTCHURCH CITY COUNCIL
 Approved Subject to the By-Laws
 -7 DEC1978
 For City Engineer

Warren & Mahoney
 Registered Architects
 Christchurch

Holmes Wood Poole & Johnstone
 Consulting Civil & Structural Engineers
 Christchurch & Wellington

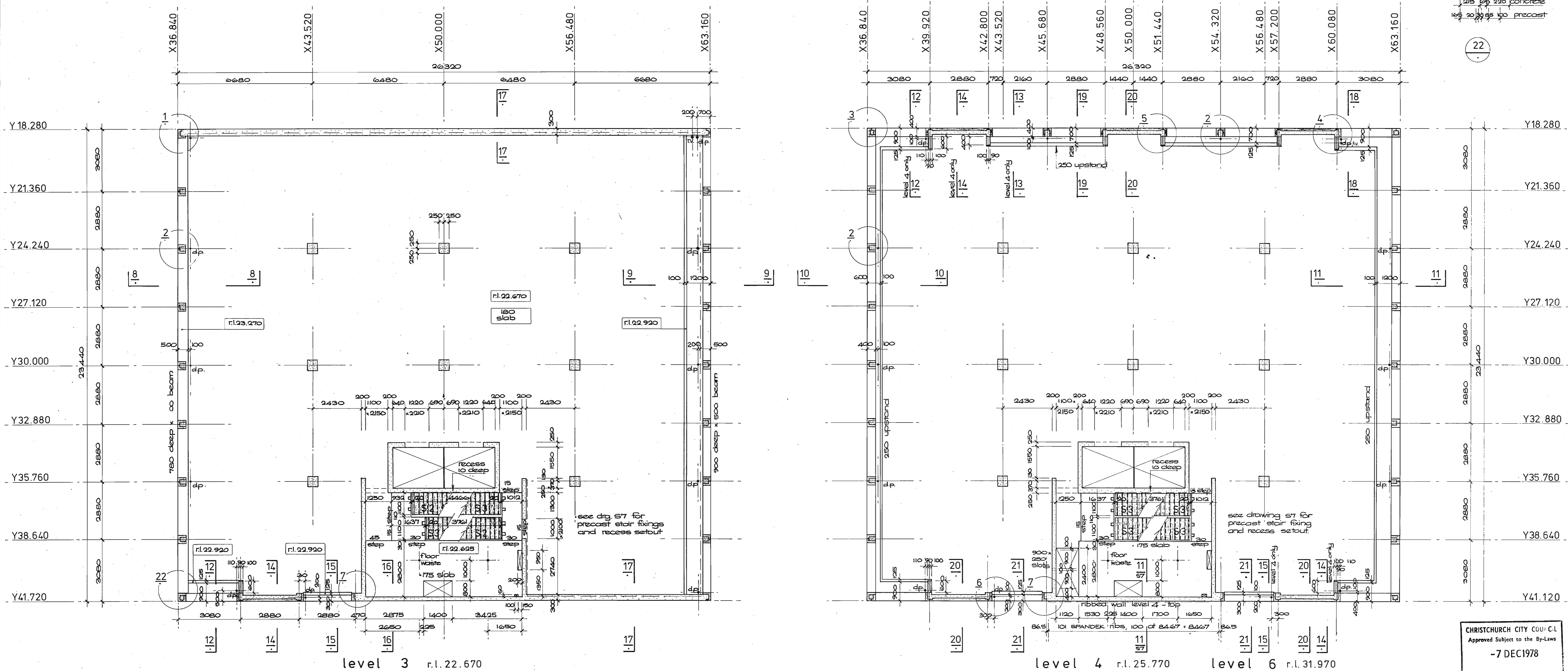
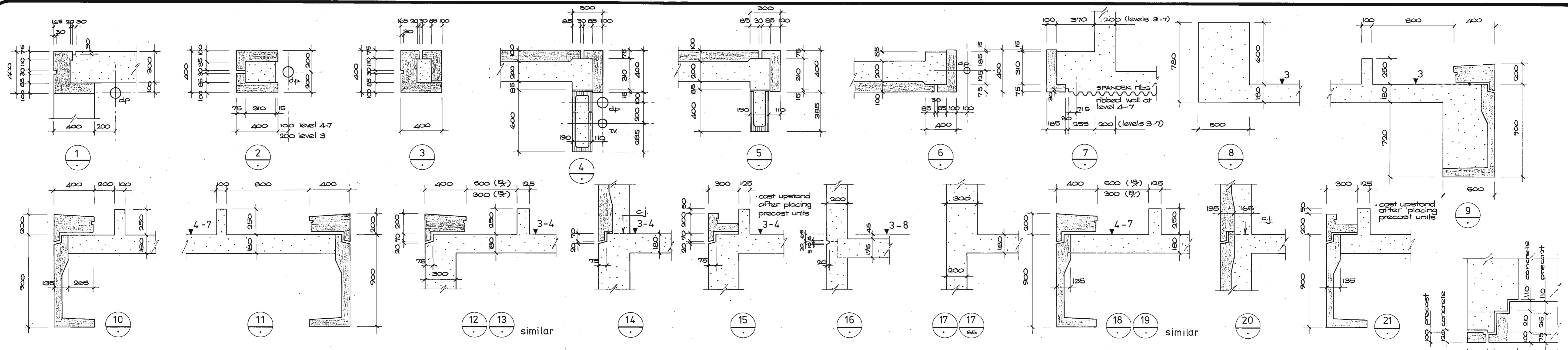
REDEVELOPMENT HIGH ST. & HEREFORD ST. CHRISTCHURCH
 NATIONAL MUTUAL LIFE ASSOCIATION OF AUSTRALASIA LTD.

CARCASS
 LEVEL 2 PLAN

Scale 1:100 1:20
 Drawn S. J. K.
 Traced G. M. S.
 Approved R. G. P.

15.9.78 Contract

660/S5
 The Contractor shall verify all dimensions prior to commencing work.



Warren & Mahoney
Registered Architects
Christchurch

Holmes Wood Poole & Johnstone
Consulting Civil & Structural Engineers
Christchurch & Wellington

REDEVELOPMENT HIGH ST. & HEREFORD ST. CHRISTCHURCH
NATIONAL MUTUAL LIFE ASSOCIATION OF AUSTRALASIA LTD.

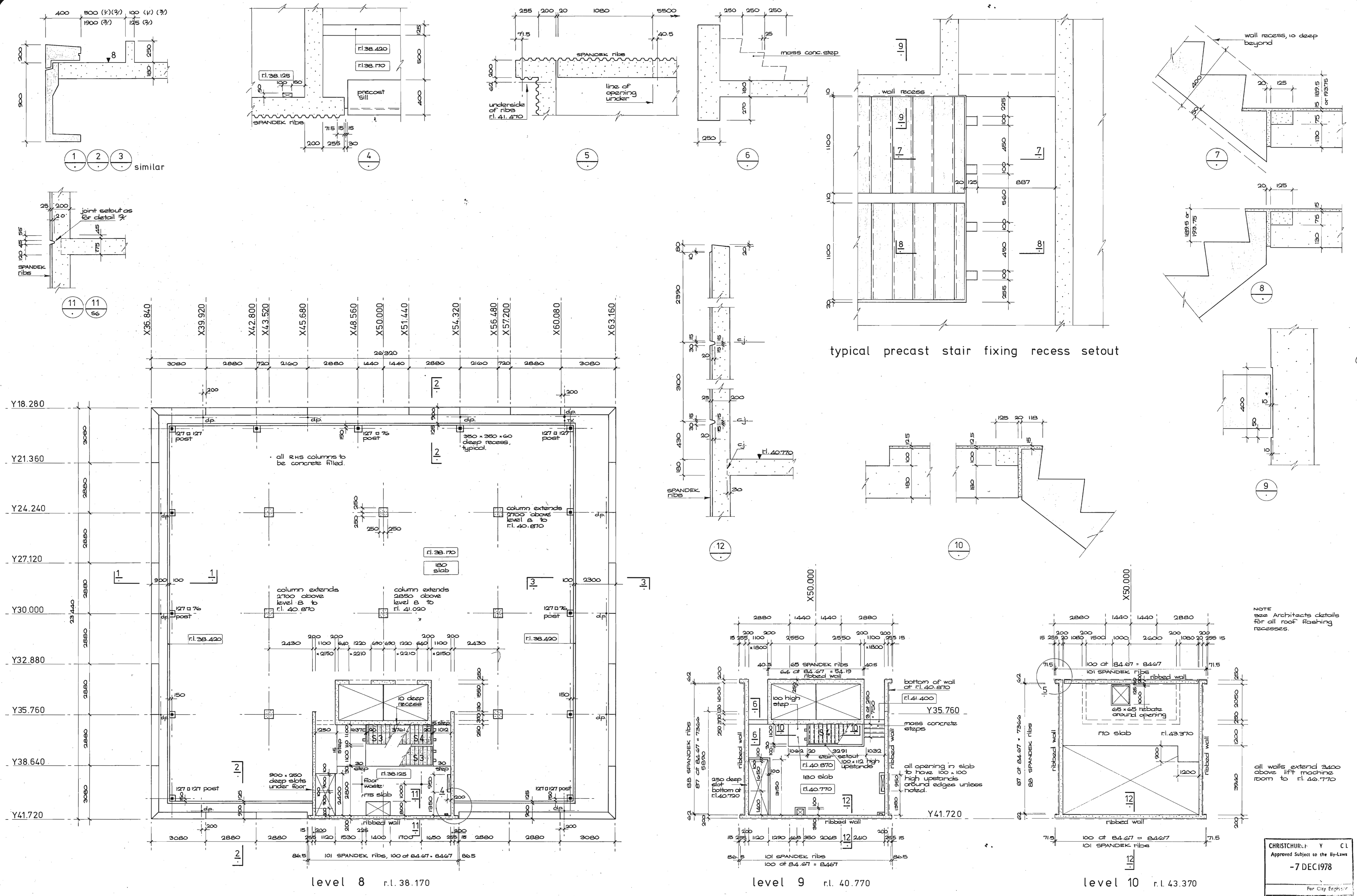
CARCASS
LEVEL 3 PLAN
LEVELS 4-7 PLAN

Scale 1:100
1:20
Drawn S. J. K.
Traced S. L. S.
Approved R. A. P.

D
C
B
A
15.9.78 Contract

CHRISTCHURCH CITY COUNCIL
Approved Subject to the By-Laws
-7 DEC 1978
For City Engineer

660/S6
The Contractor shall verify all dimensions prior to commencing work



NOTE
see Architects details
for all roof flashing
recesses.

all walls extend 200
above lift machine
room to r.l. 40.770

CHRISTCHURCH CIVIL
Approved Subject to the By-Laws
-7 DEC 1978
For City Engineer

Warren & Mahoney
Registered Architects
Christchurch

Holmes Wood Poole & Johnstone
Consulting Civil & Structural Engineers
Christchurch & Wellington

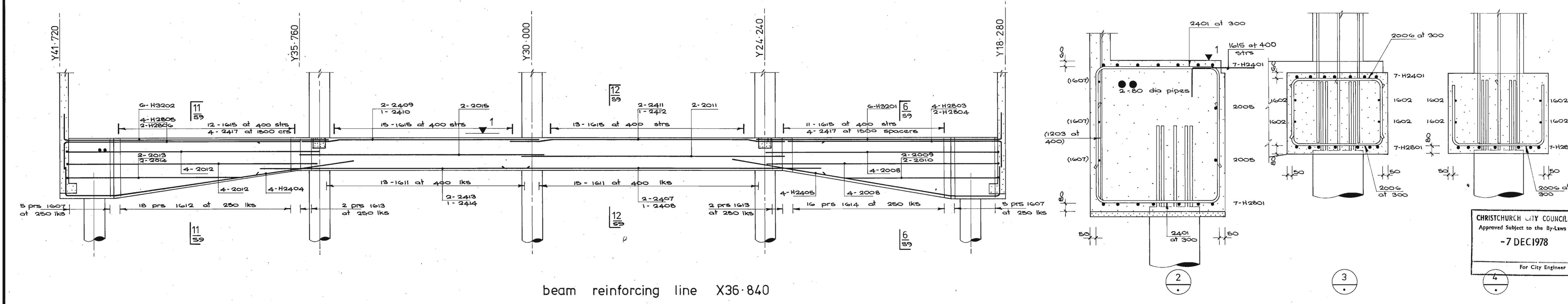
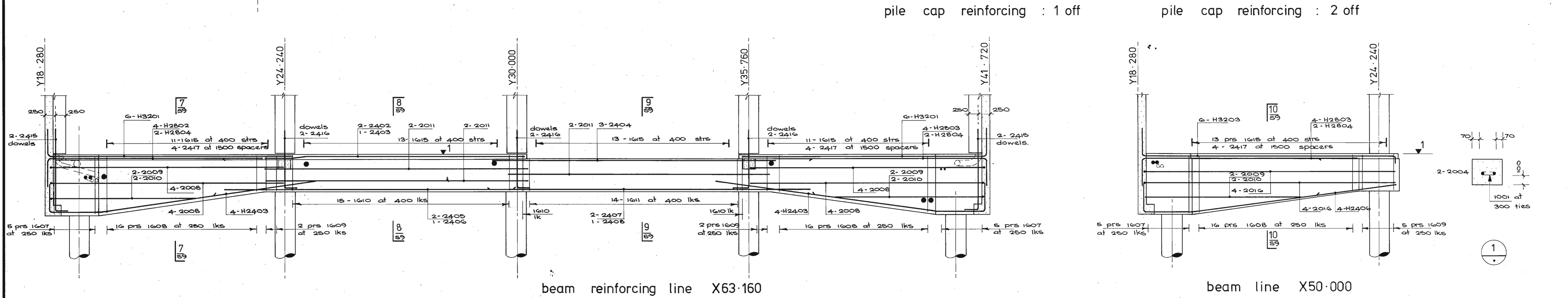
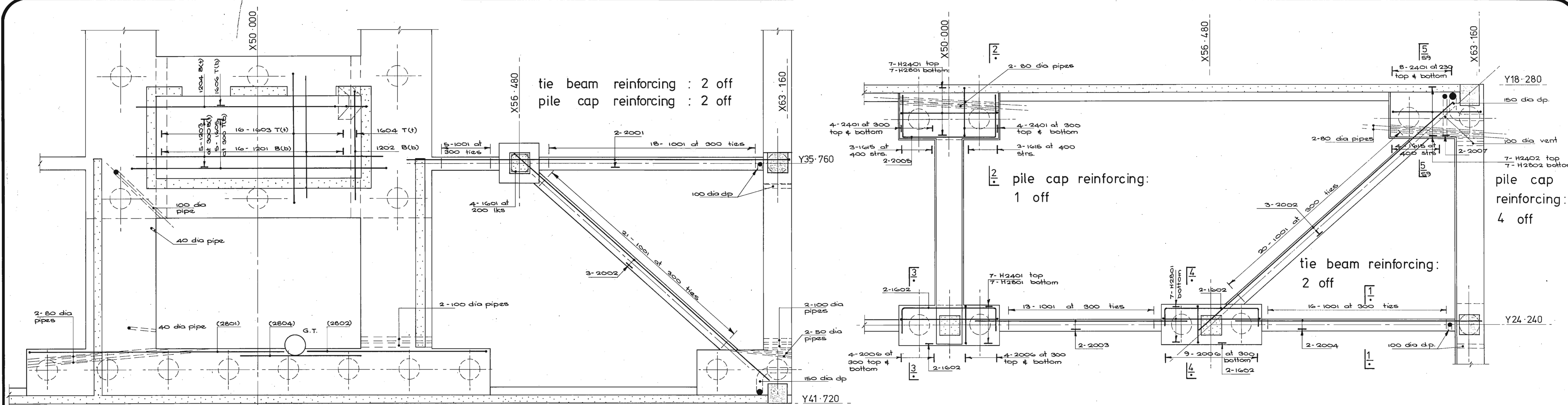
REDEVELOPMENT HIGH ST. & HEREFORD ST. CHRISTCHURCH
NATIONAL MUTUAL LIFE ASSOCIATION OF AUSTRALASIA LTD.

CARCASS
LEVEL 8, 9 & 10 PLAN

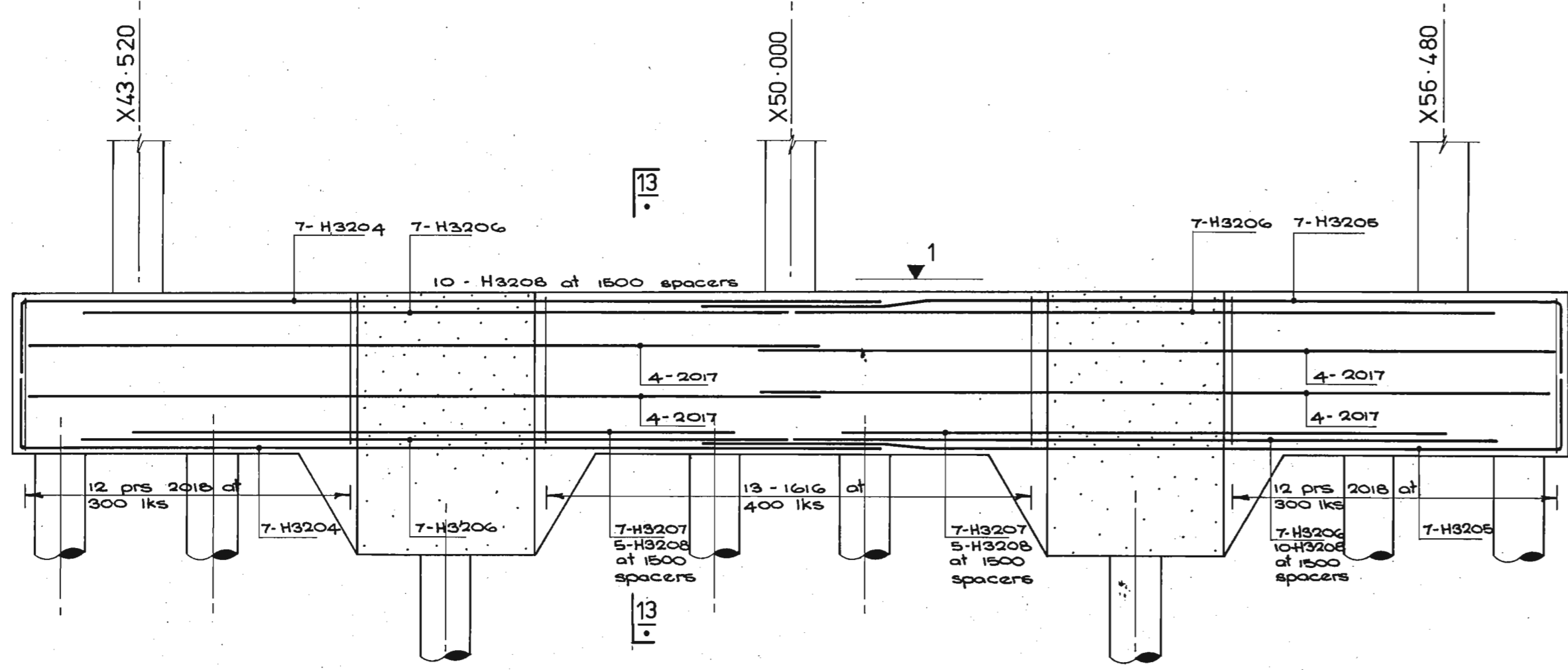
Scale 1 : 100
1 : 20
Drawn S. J. K.
Traced S. L. S.
Approved R. A. P.

D
C
B
A
15.9.78 Contract

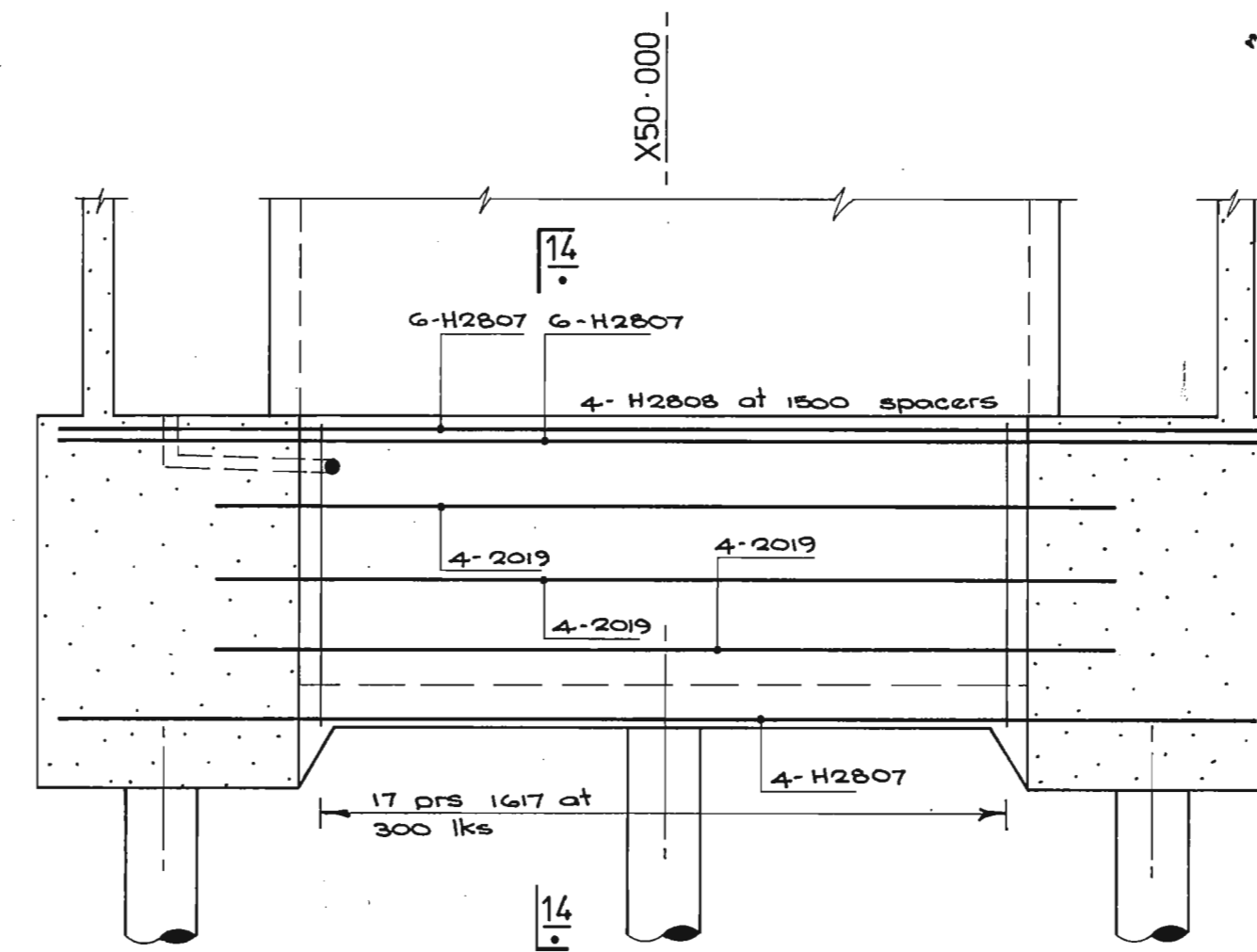
660/S7
The Contractor shall verify all
dimensions prior to commencing work



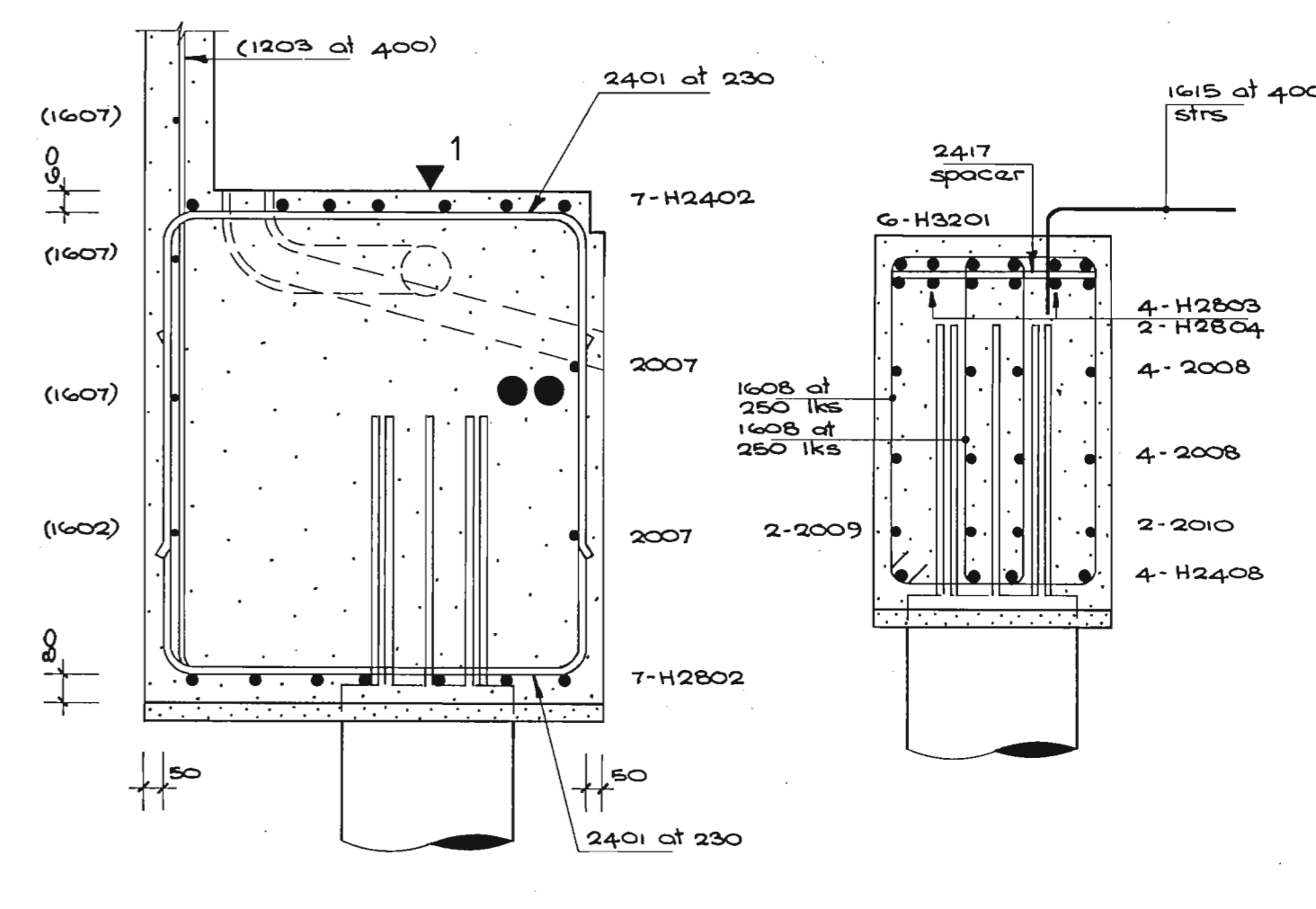
CHRISTCHURCH CITY COUNCIL
 Approved Subject to the By-Laws
 -7 DEC 1978
 For City Engineer



beam line Y30.000

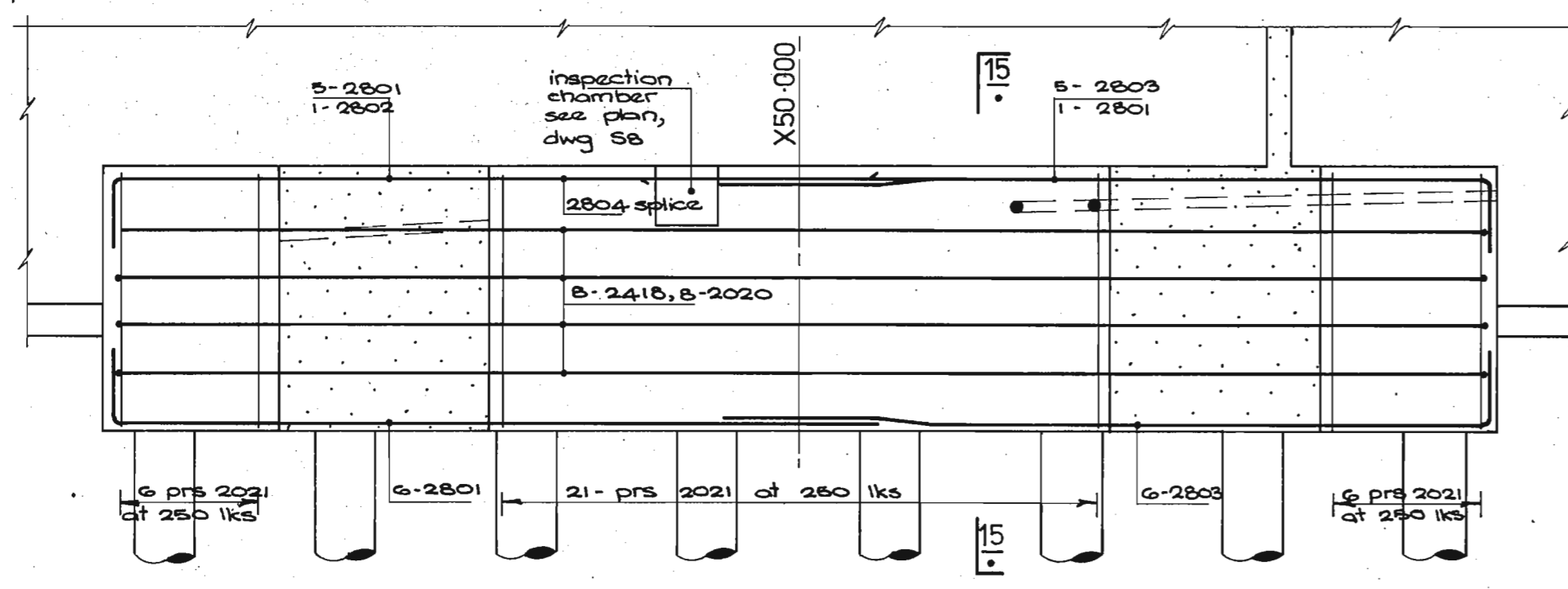


beam line Y33.830
beam line Y36.380

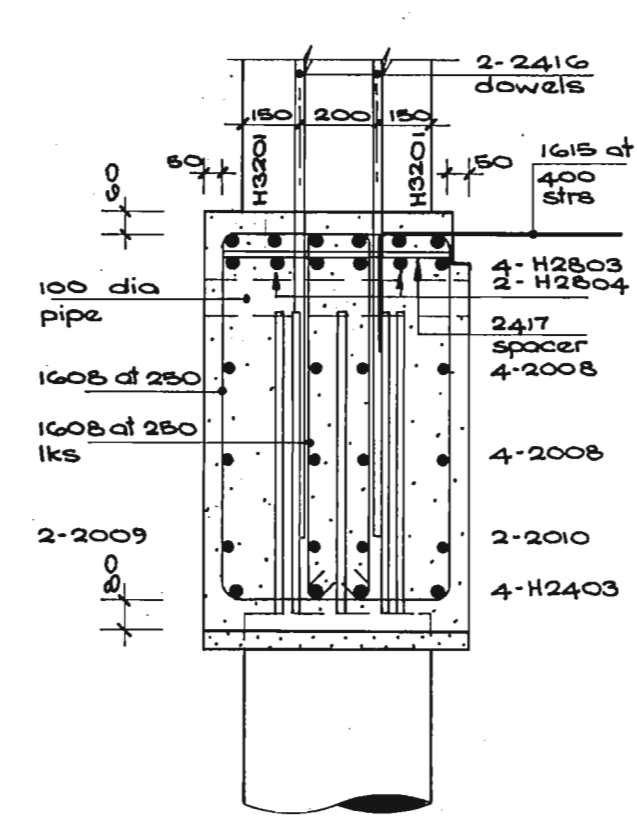


5
SB

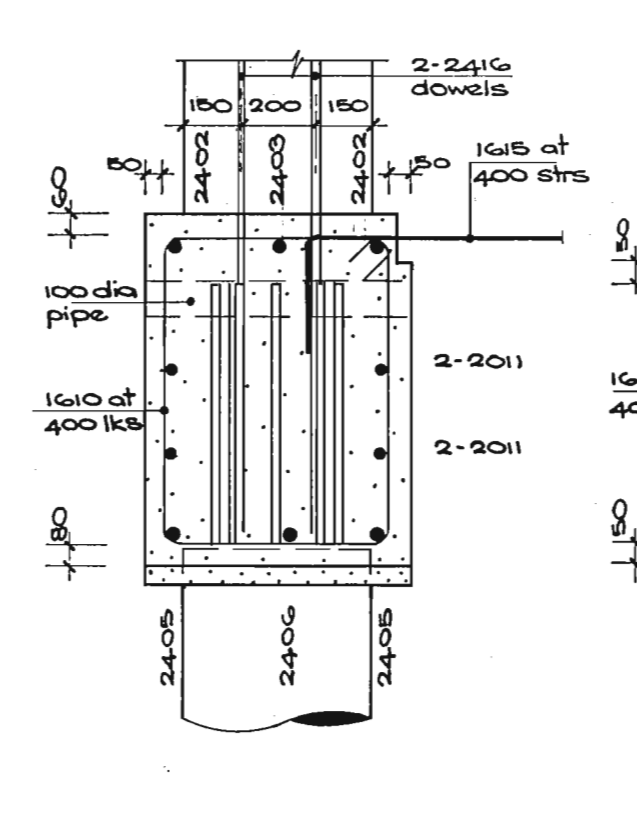
6
SB



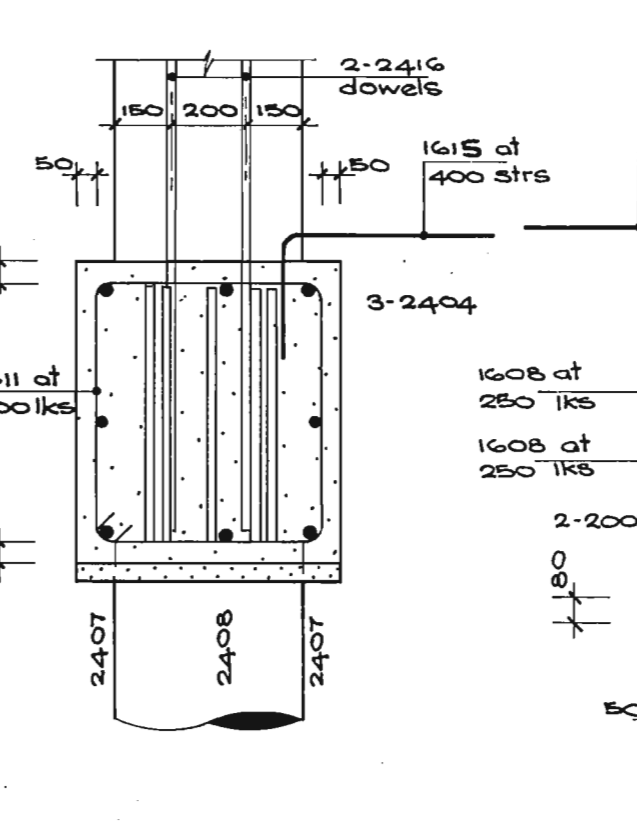
beam line Y41.720



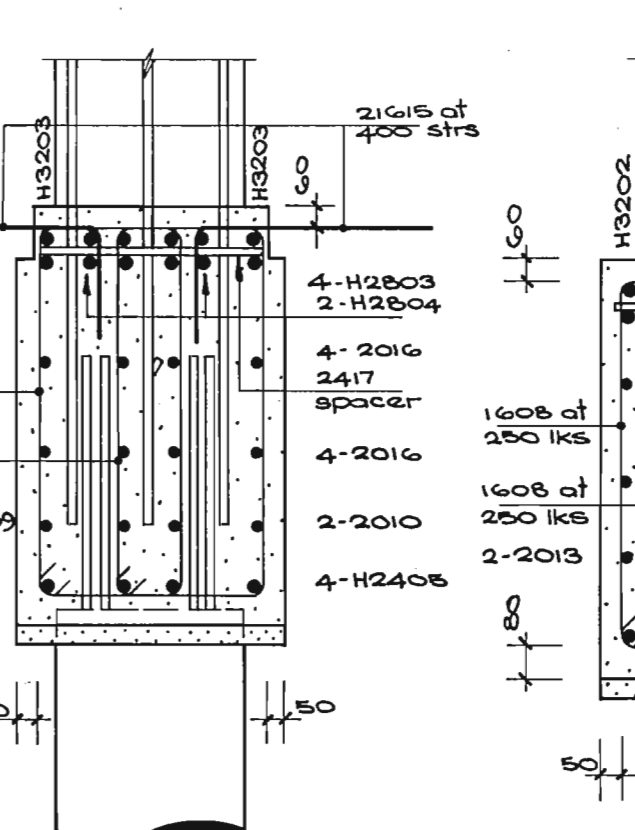
7
SB



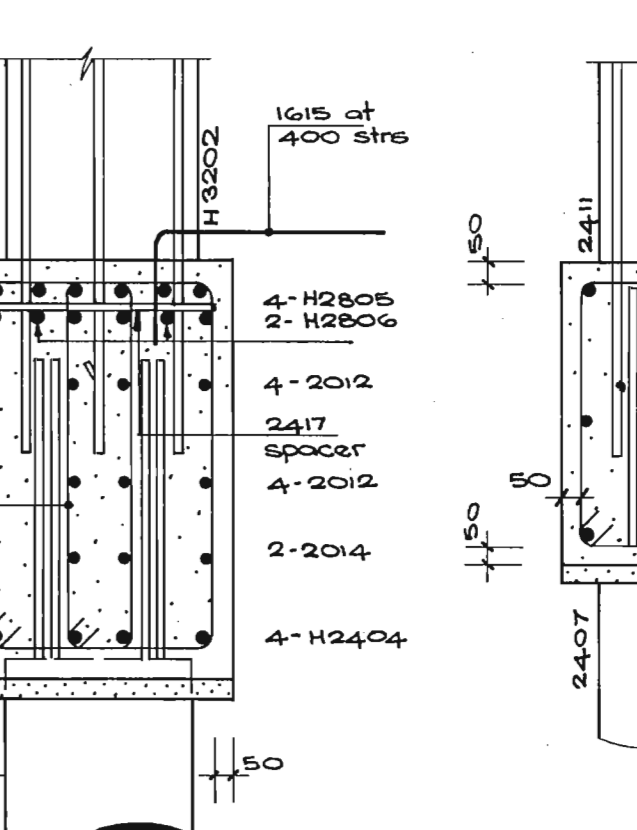
8
SB



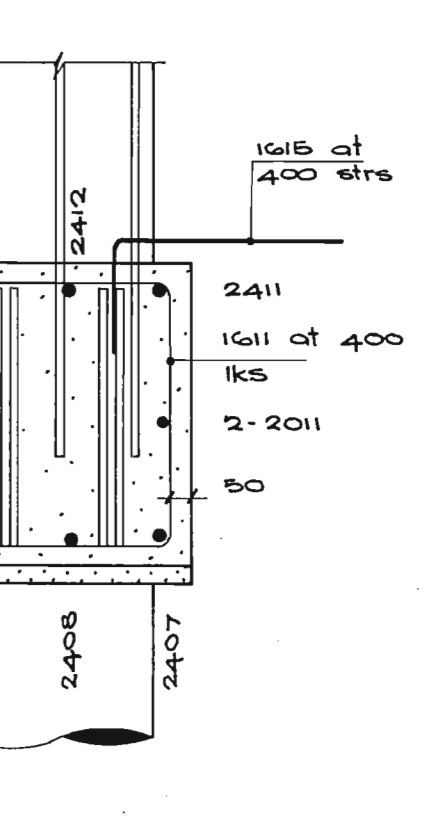
9
SB



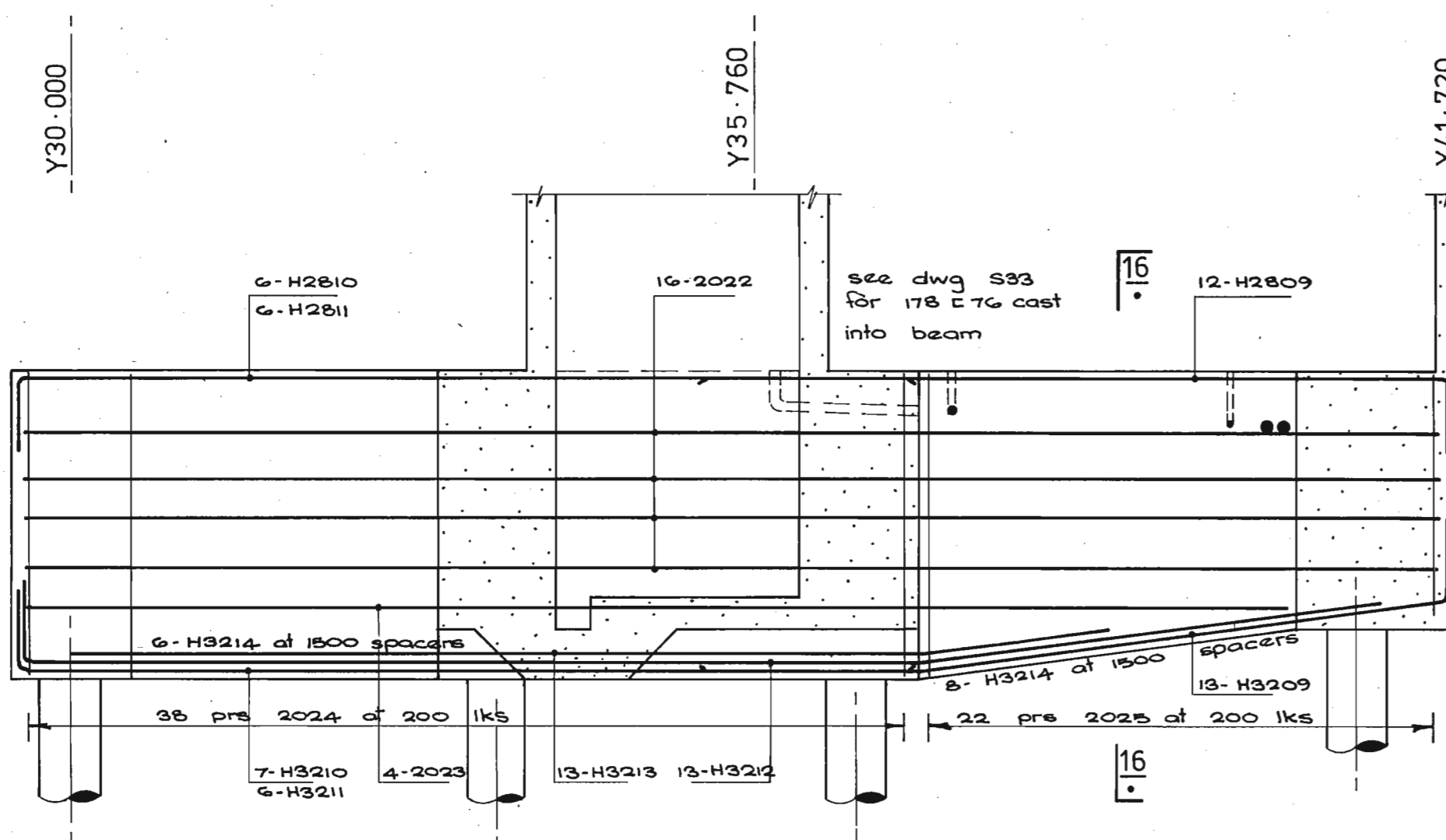
10
SB



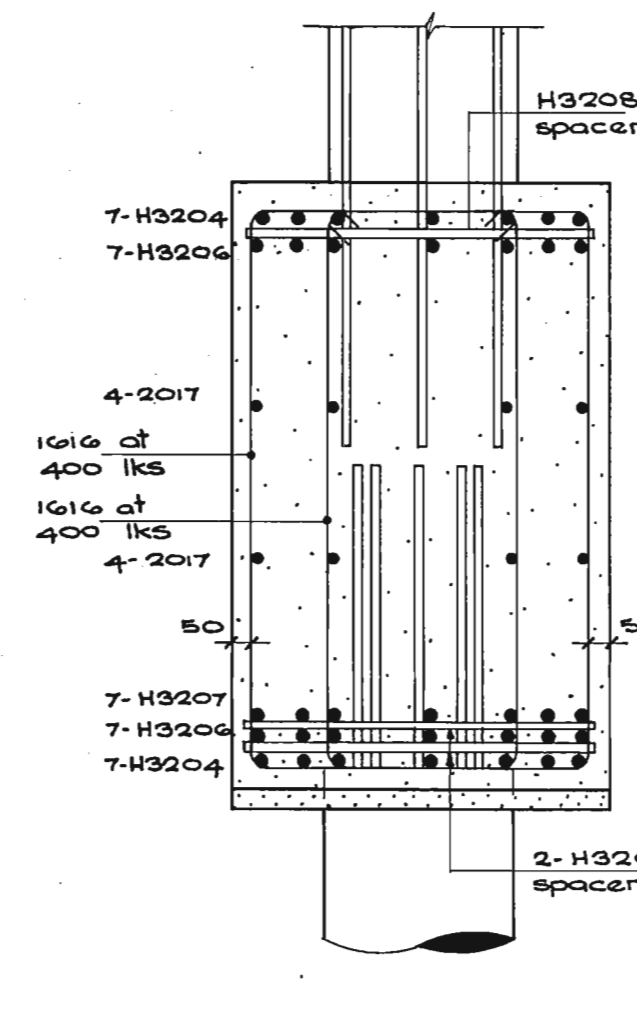
11
SB



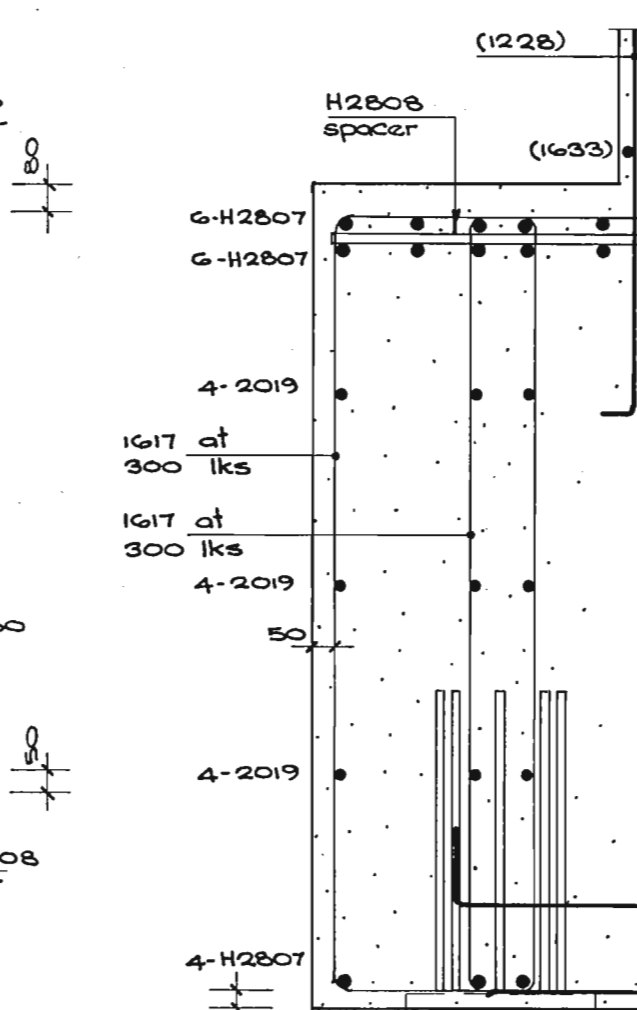
12
SB



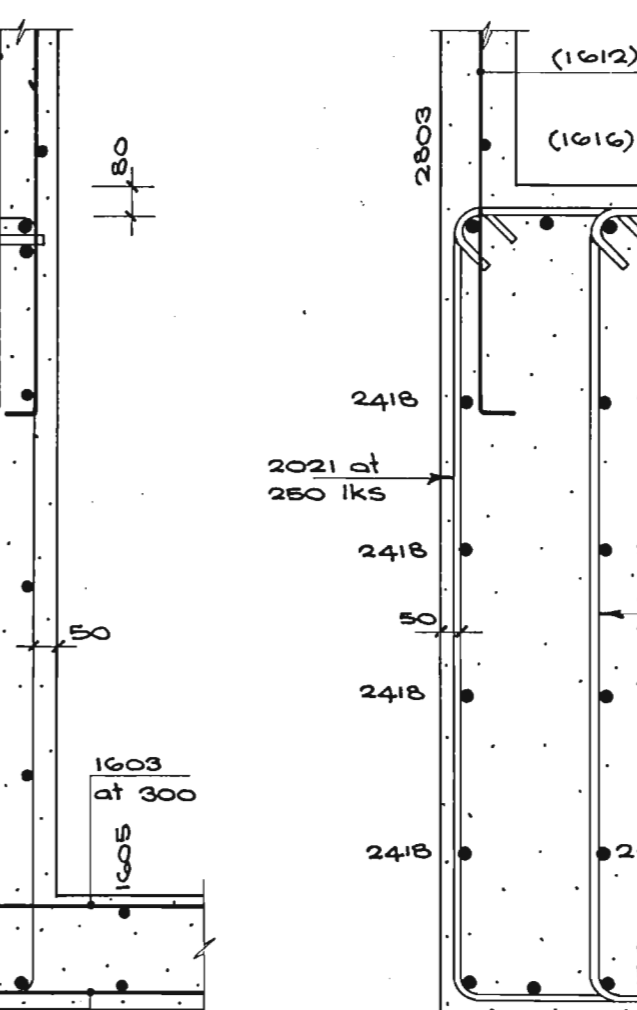
beam line X47.250
beam line X52.750



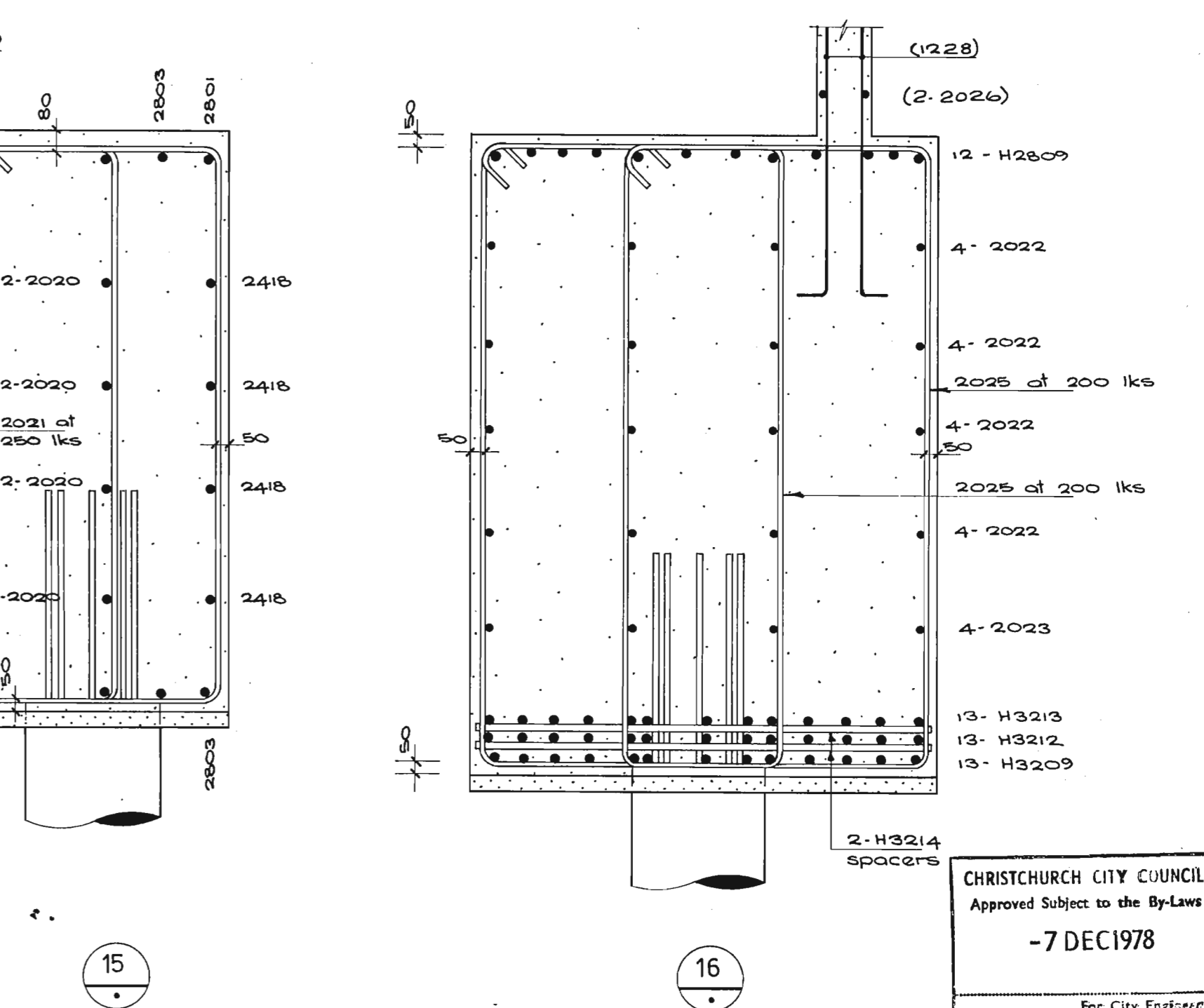
13



14



15



16

CHRISTCHURCH CITY COUNCIL
Approved Subject to the By-Laws
-7 DEC 1978
For City Engineer

Warren & Mahoney
Registered Architects
Christchurch

Holmes Wood Poole & Johnstone
Consulting Civil & Structural Engineers
Christchurch & Wellington

REDEVELOPMENT HIGH ST. & HEREFORD ST. CHRISTCHURCH
NATIONAL MUTUAL LIFE ASSOCIATION OF AUSTRALASIA LTD.

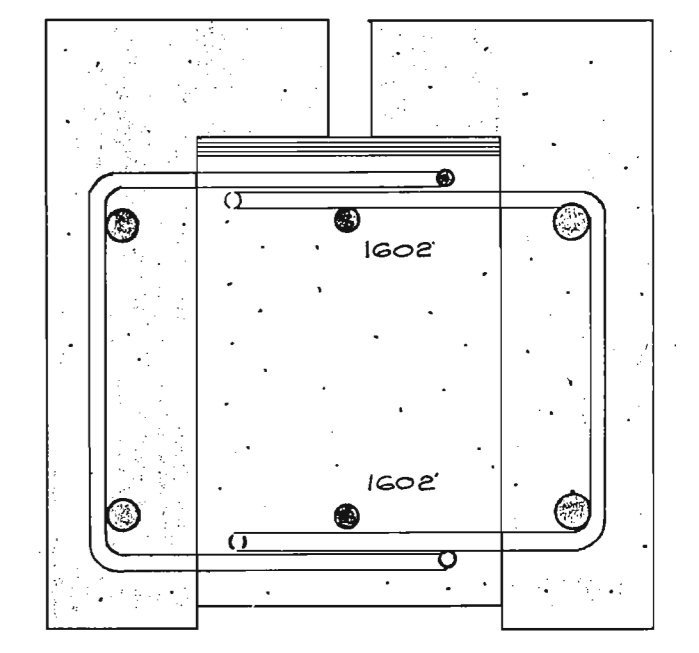
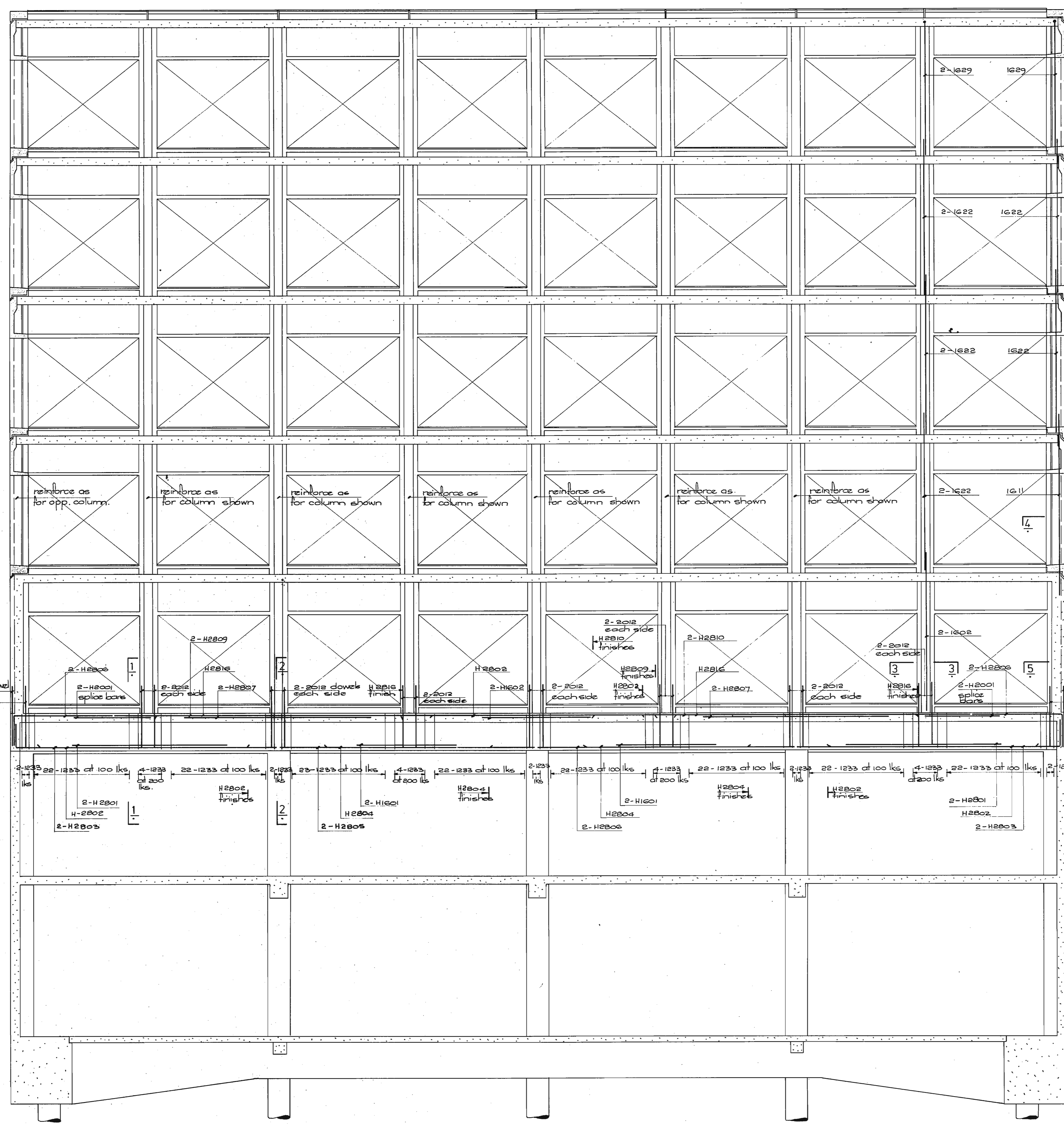
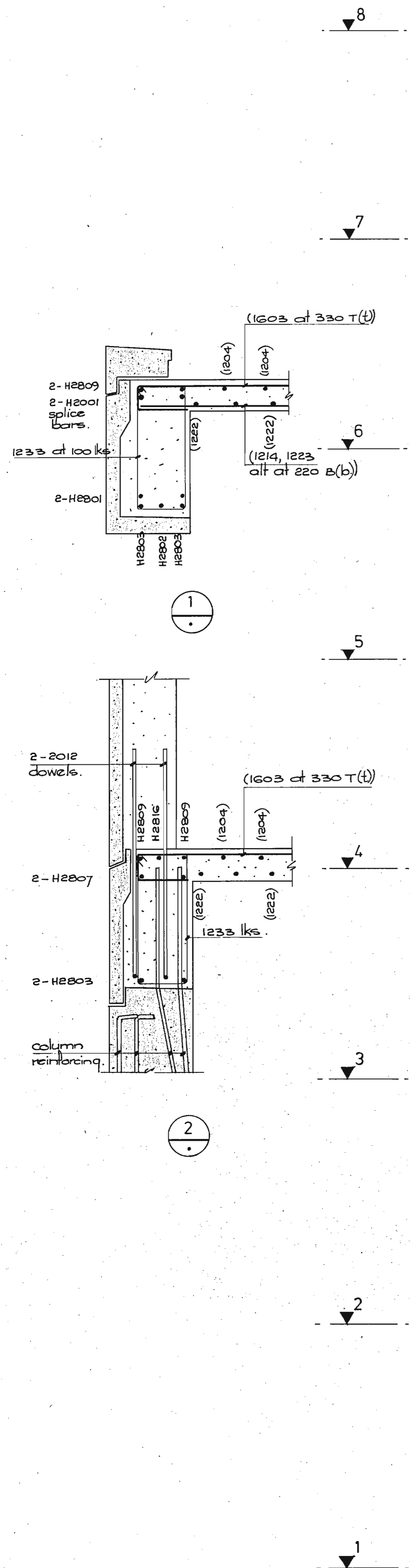
TOWER
FOUNDATION REINFORCING

Scale 1:50
1:20
Drawn S.J.K.
Traced G.M.S.
Approved R.O.P.

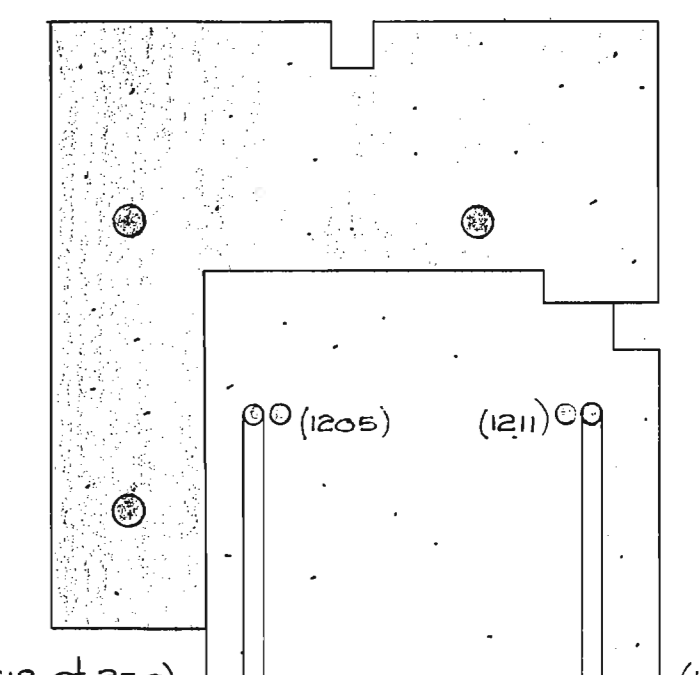
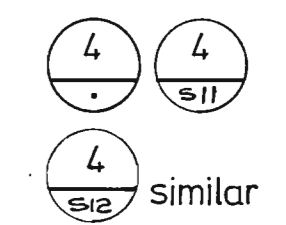
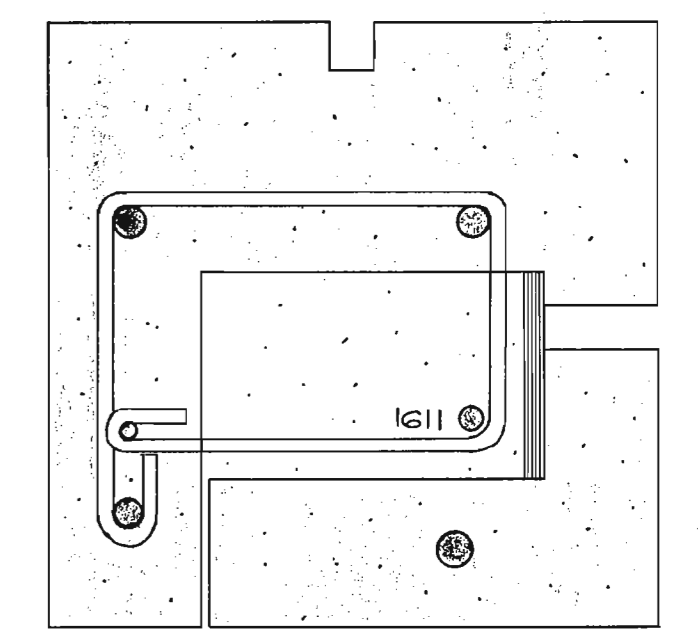
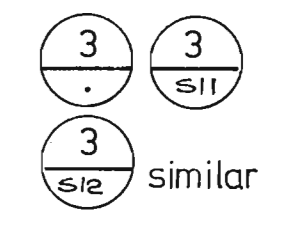
D
C
B
A

15.9.78 Contract

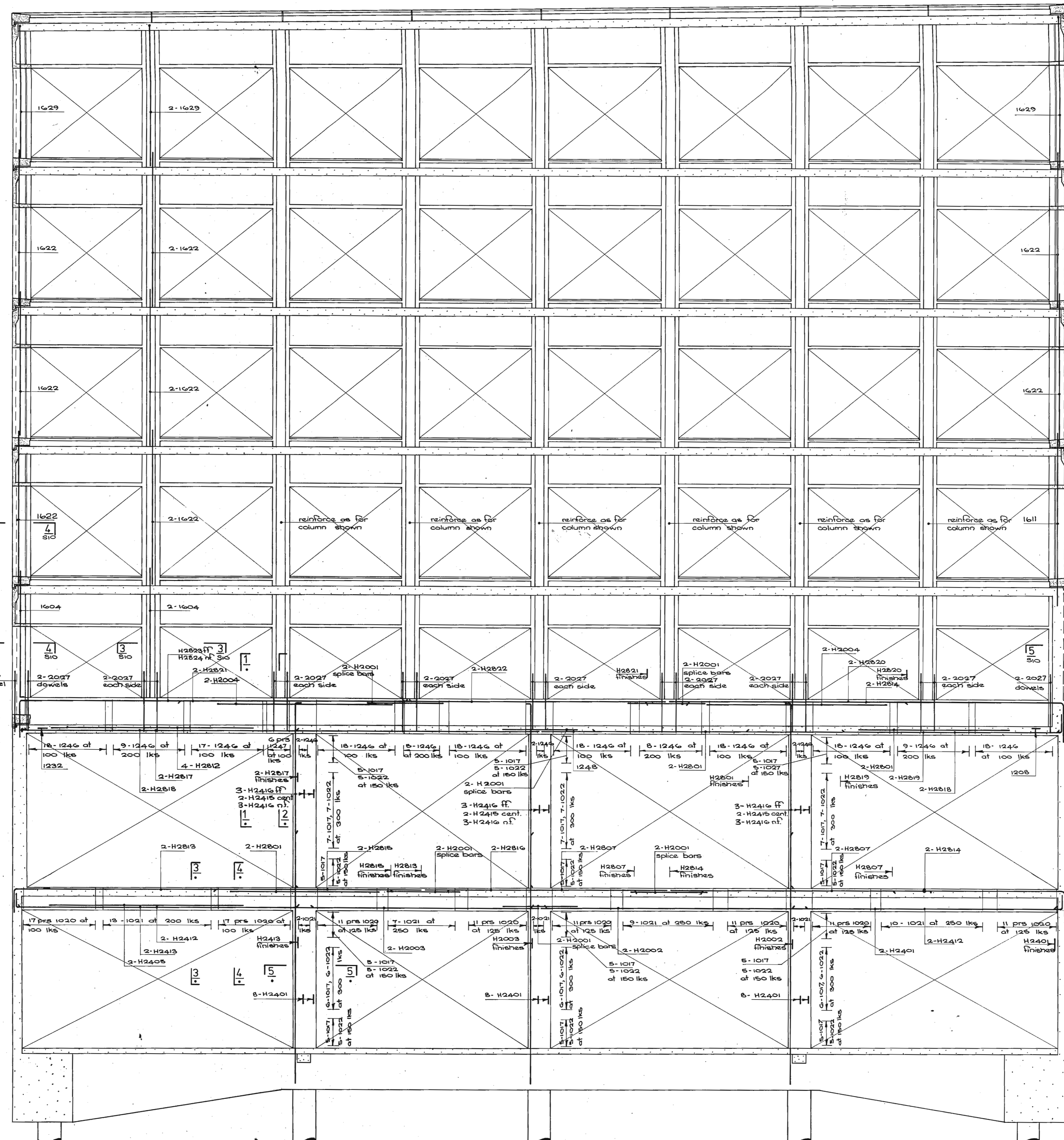
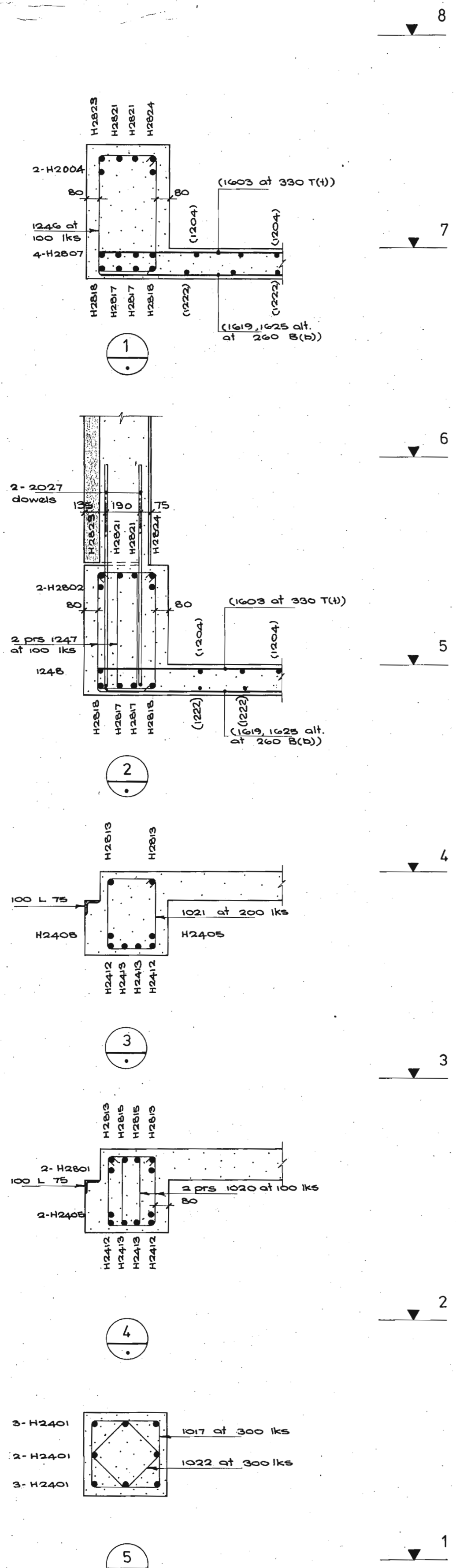
660/S9
The Contractor shall verify all dimensions prior to commencing work



Note: precast steel not called up for clarity.



CHRISTCHURCH CITY ENGINEER
 Approved Subject to the By-Laws
 -7 DEC 1978
 For City Engineer



Warren & Mahoney
Registered Architects
Christchurch

Holmes Wood Poole & Johnstone
Consulting Civil & Structural Engineers
Christchurch & Wellington

REDEVELOPMENT HIGH ST. & HEREFORD ST. CHRISTCHURCH
NATIONAL MUTUAL LIFE ASSOCIATION OF AUSTRALASIA LTD.

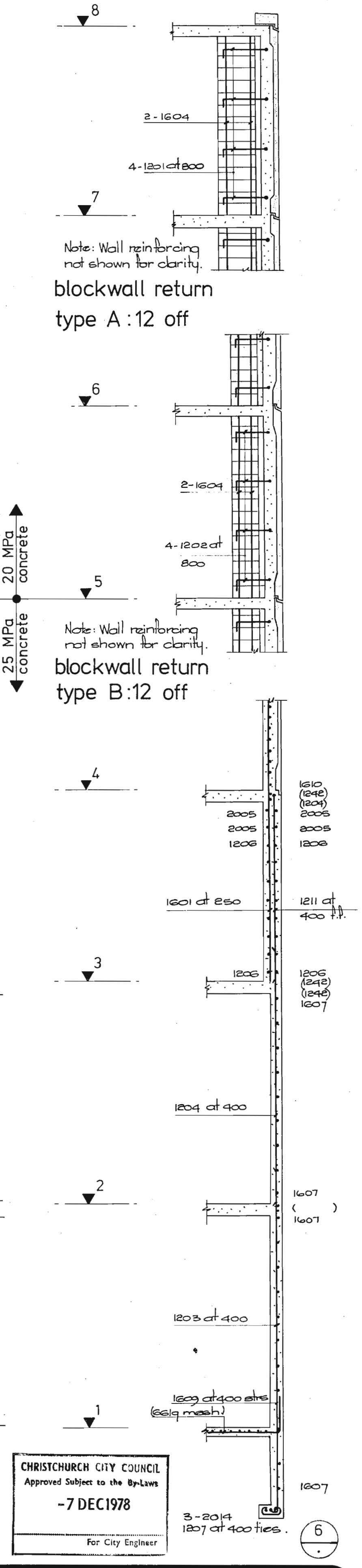
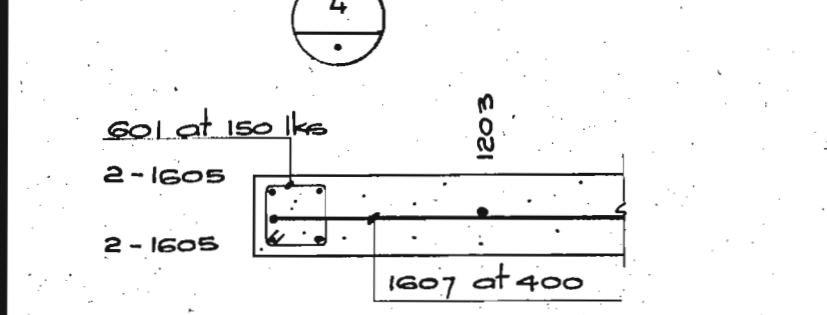
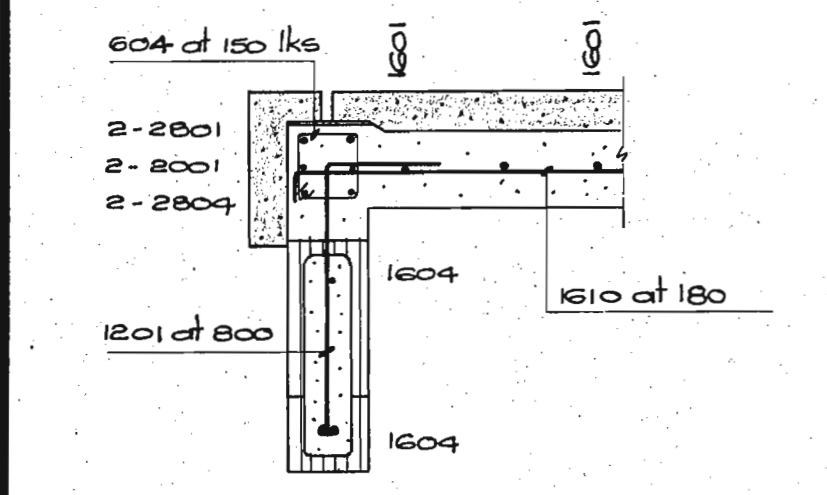
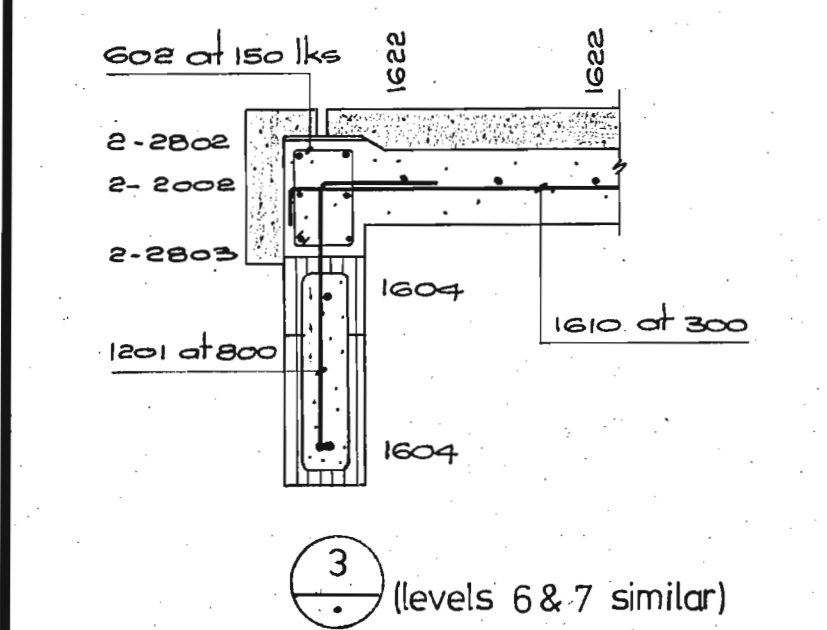
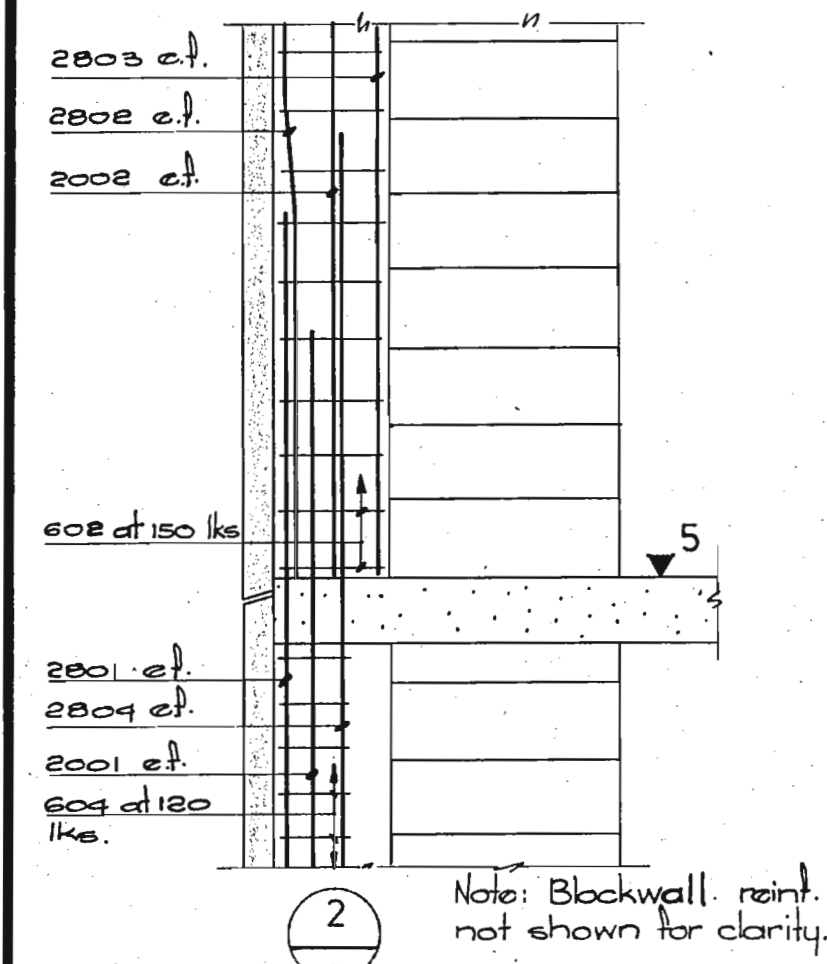
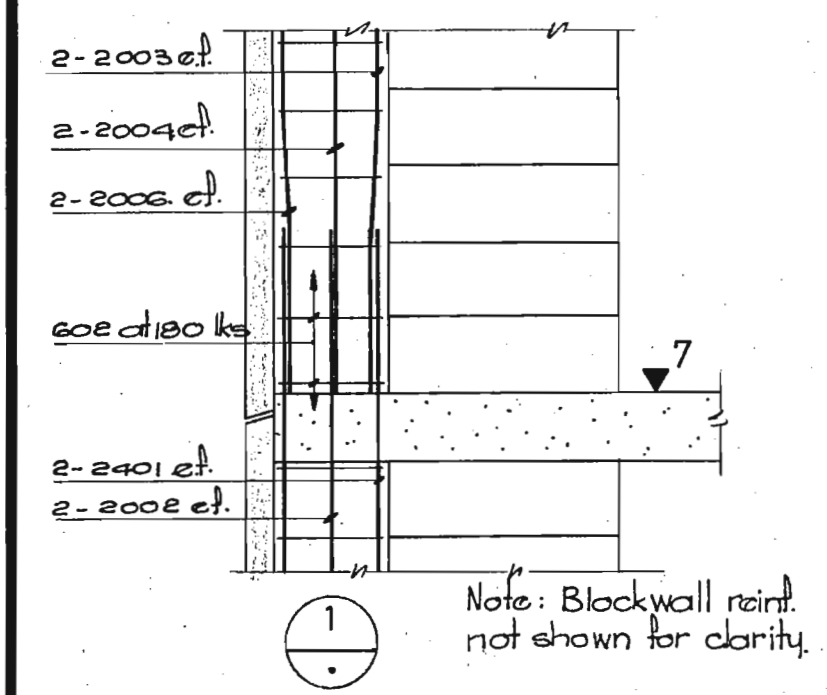
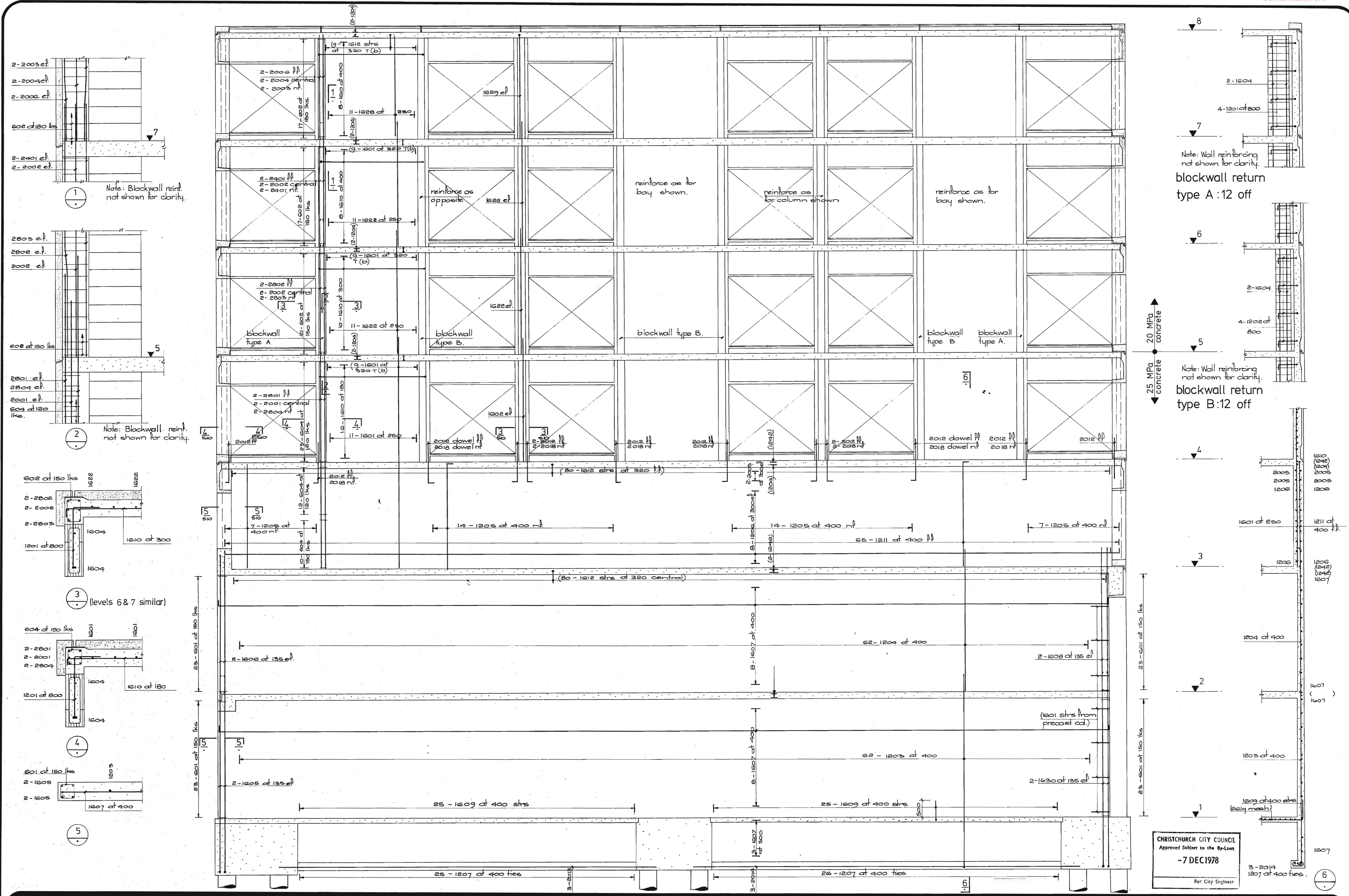
TOWER - SOUTH WALL
BEAM & COLUMN REINFORCING

Scale 1:50
1:20
Drawn J. F. S.
Traced G. H. S.
Approved R. A. P.

D
C
B
A
15.9.78 Contract

660/S11

CHRISTCHURCH CITY COUNCIL
Approved Subject to the By-Laws
-7 DEC 1978
For City Engineer



Warren & Mahoney
Registered Architects
Christchurch

Holmes Wood Poole & Johnstone
Consulting Civil & Structural Engineers
Christchurch & Wellington

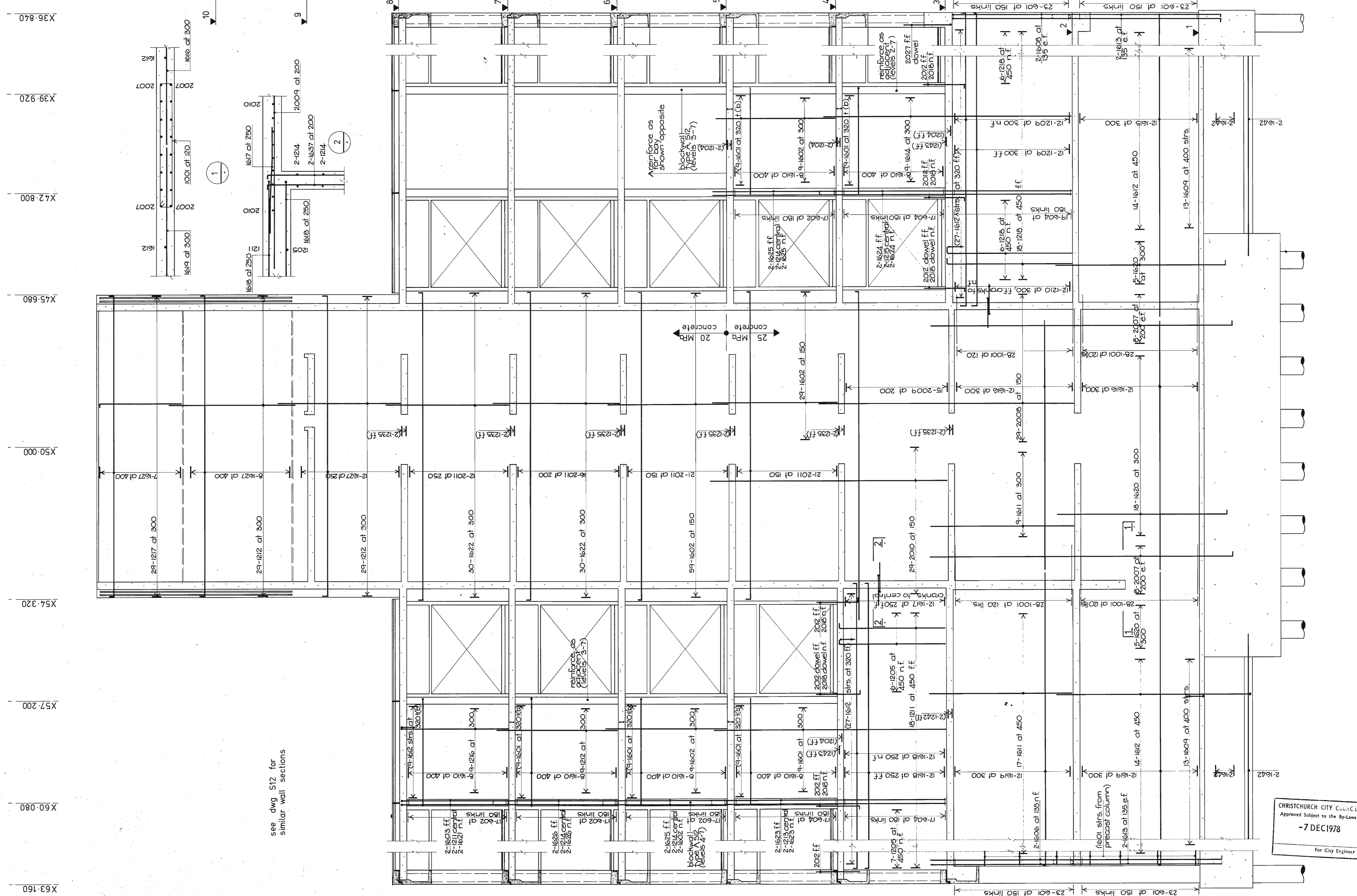
REDEVELOPMENT HIGH ST. & HEREFORD ST. CHRISTCHURCH
NATIONAL MUTUAL LIFE ASSOCIATION OF AUSTRALASIA LTD.

TOWER - WEST WALL
COLUMN & WALL REINFORCING

Scale 1 : 50
1 : 20
Drawn J. F. S.
Traced J. M. H.
Approved R. A. P.

CHRISTCHURCH CITY COUNCIL
Approved Subject to the By-Laws
-7 DEC1978
For City Engineer

660/S12
The Contractor shall verify all dimensions prior to commencing work



Warren & Mahoney
Registered Architects
Christchurch

Holmes Wood Poole & Johnstone
Consulting Civil & Structural Engineers
Christchurch & Wellington

REDEVELOPMENT HIGH ST & HEREFORD ST. CHRISTCHURCH
NATIONAL MUTUAL LIFE ASSOCIATION OF AUSTRALASIA LTD

TOWER - EAST WALL
COLUMN & WALL REINFORCING

Scale 1:50
1:20
Drawn J. F. S.
Traced J. D. O.
Approved R. A. P.

D	
C	
B	
A	15.9.78 Contract

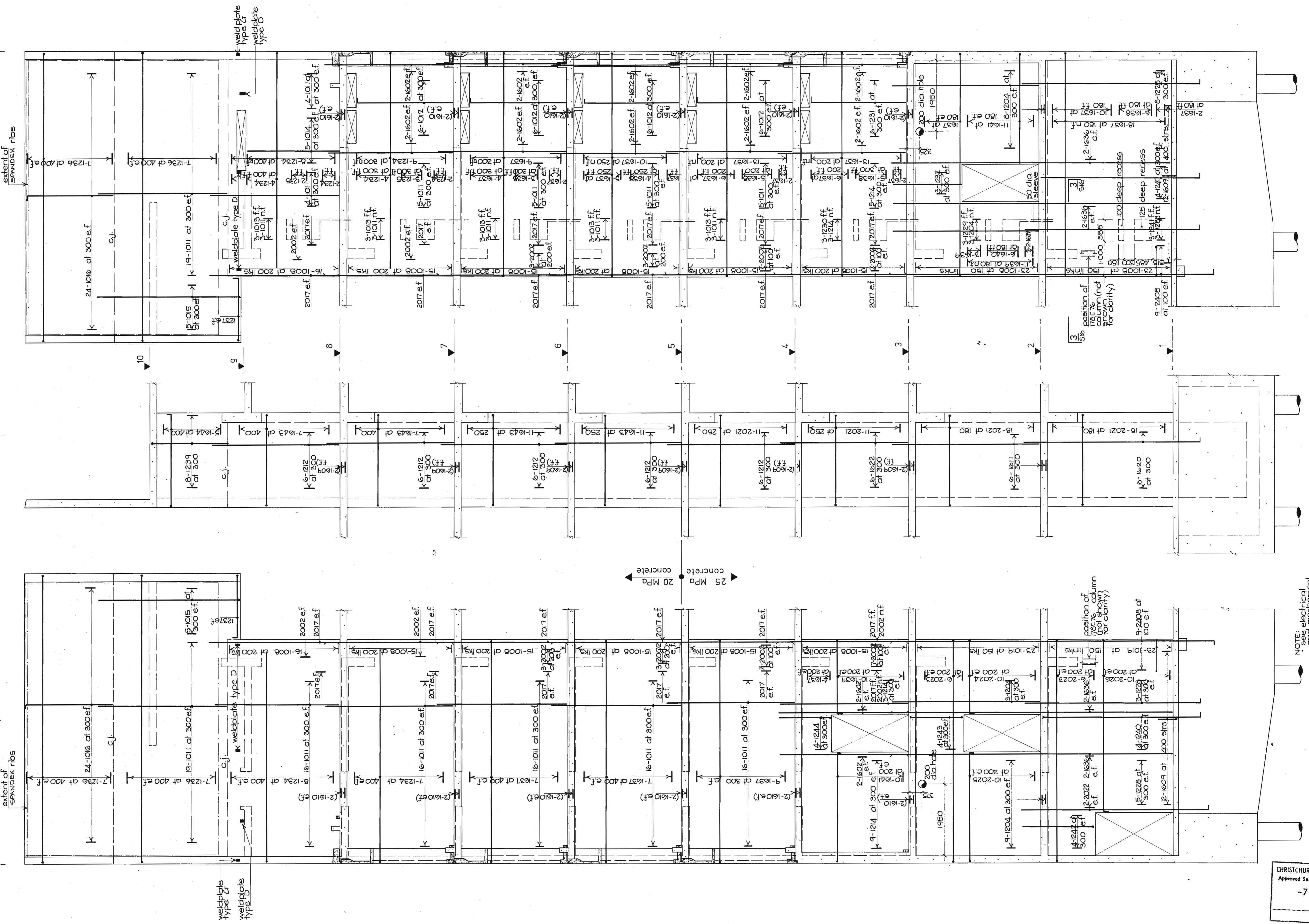
660/S13
The Contractor shall verify all dimensions prior to commencing work

CHRISTCHURCH CITY COUNCIL
Approved Subject to the By-Laws
-7 DEC 1978
For City Engineer

Y 41-720

Y 35-760

Y 41-720



wall X45-900

wall X47-250 opp. hand
wall X52-750 opp. hand

wall X54-100

NOTE: electrical and mechanical services for holes in this wall

Warren & Mahoney
Registered Architects
Christchurch

Holmes Wood Pole & Johnstone
Consulting Civil & Structural Engineers
Christchurch & Wellington

REDEVELOPMENT HIGH ST. & HEREFORD ST. CHRISTCHURCH
NATIONAL MUTUAL LIFE ASSOCIATION OF AUSTRALASIA LTD.

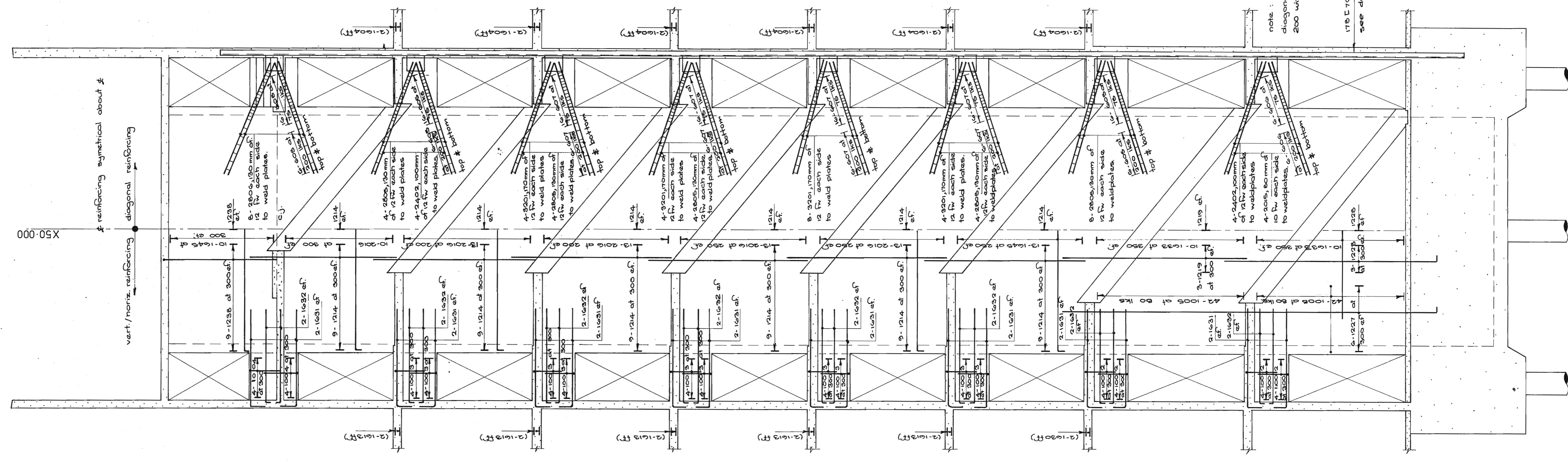
TOWER - CORE WALLS
WALLS X45-900, X54-100
WALLS X47-250, X52-750

Scale 1 : 50
Drawn J. F. S.
Traced J. D. O.
Approved R. A. P.

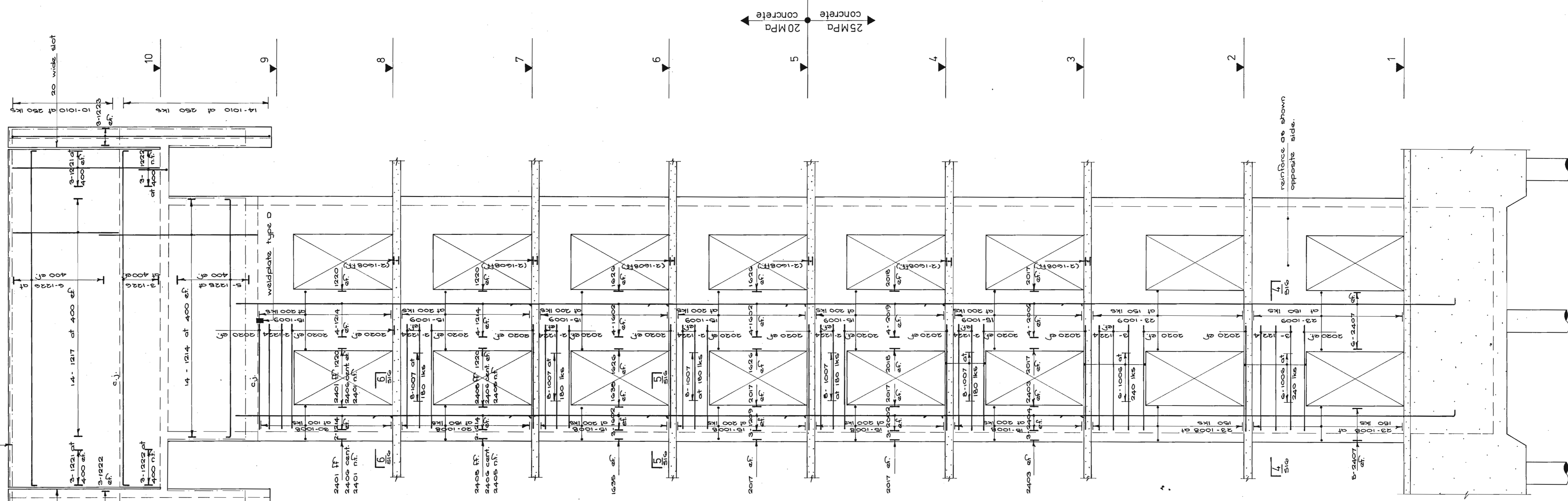
D
C
B
A
15.9.78 Contract

CHRISTCHURCH CITY COUNCIL
Approved Subject to the By-Laws
-7 DEC1978
For City Engineer

660/S14
The Contractor shall verify all dimensions prior to commencing work



wall 36-380



wall Y33-830

Warren & Mahoney
Registered Architects
Christchurch

Holmes Wood Poole & Johnstone
Consulting Civil & Structural Engineers
Christchurch & Wellington

REDEVELOPMENT HIGH ST. & HEREFORD ST. CHRISTCHURCH
NATIONAL MUTUAL LIFE ASSOCIATION OF AUSTRALASIA LTD.

TOWER - CORE WALLS
WALLS Y33-830 & Y36-380

Scale 1 : 50
Drawn J. F. S.
Traced G. M. S.
Approved [Signature]

D	
C	
B	
A	

15.9.78 Contract

660/S15
The Contractor shall verify all dimensions prior to commencing work

CHRISTCHURCH CITY COUNCIL
Approved Subject to the By-Laws
-7 DEC1978
For City Engineer