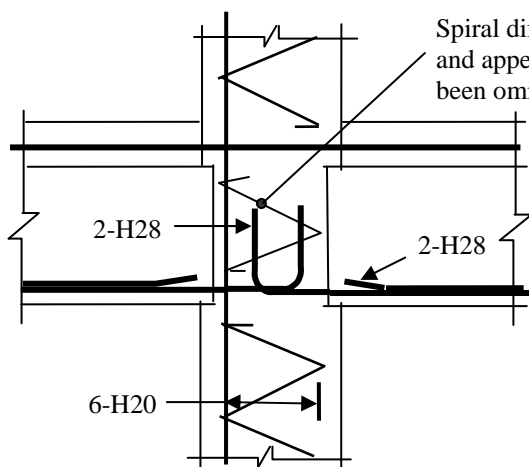
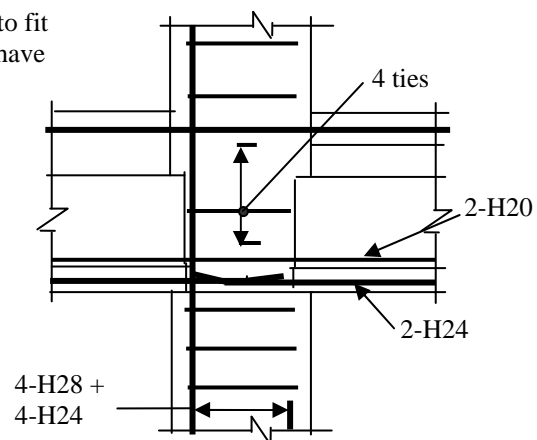


Comparison of CTV and Landsborough House Buildings

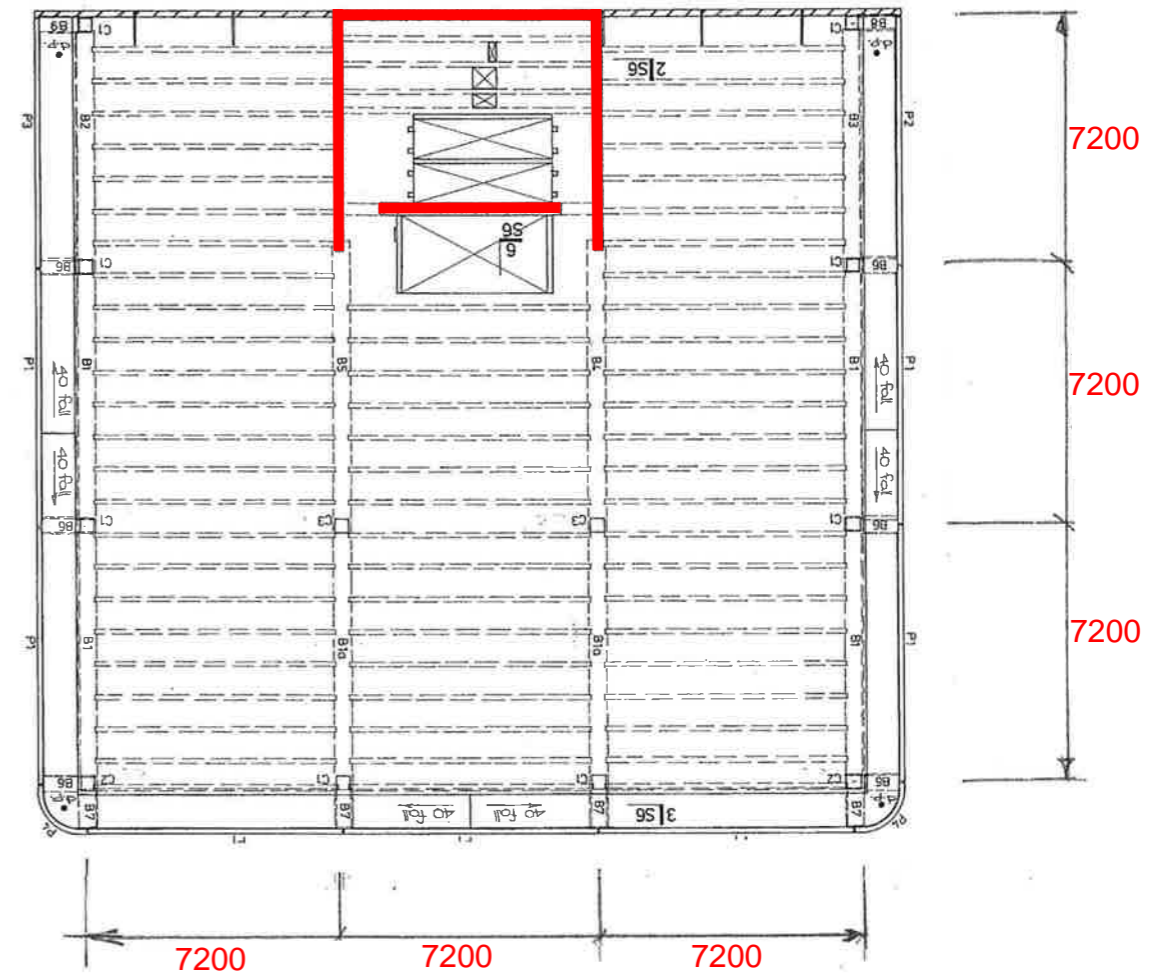
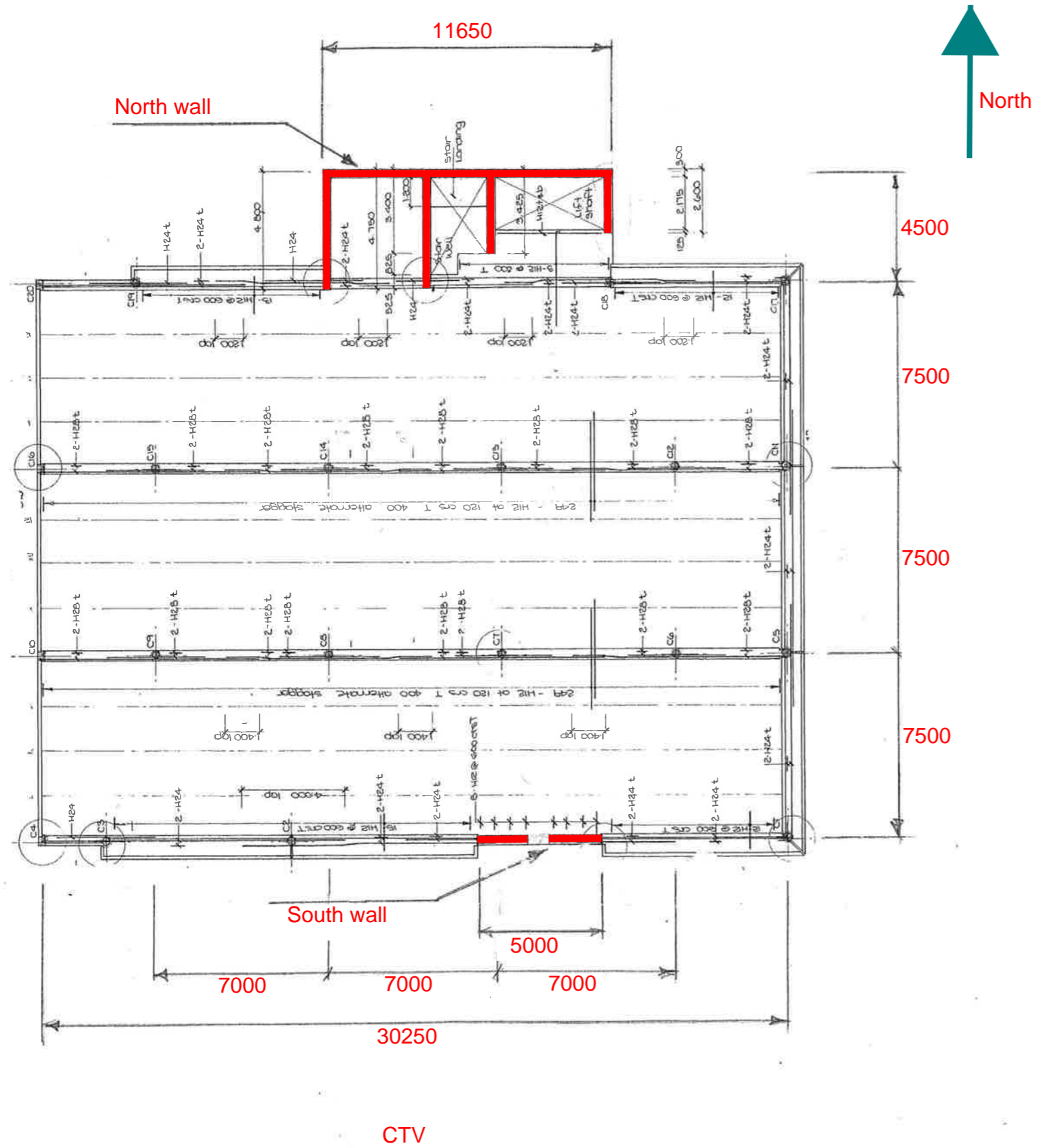
Item	Landsborough	CTV
No. of levels	8	6
Central column dimensions	400 square	400mm diameter
Confinement	10mm stps. @ 150c/c	6mm spiral @ 250 pitch
Column longitudinal reinforcement	4-H28+4-H24 base $p_1 = 2.67\%$ 4-H24 top $p_1 = 1.1\%$	6-H20 $p = 1.5\%$
Confinement proportion to gross area	0.43%	0.089%
Confined concrete divided by gross area	0.68	0.585
Cover to longitudinal bars	40mm	50mm
Max. axial load ratio (approx)	0.3	0.4
Slab	Pretensioned ribs and timber infill, 75 insitu concrete	Hibond with 200mm insitu concrete
Reinforcement	665 mesh and H10 @ 300c/c over beams	664 mesh and H12 @ 120c/c over beams



CTV



Landsborough House



Landsborough House
287 Durham St North