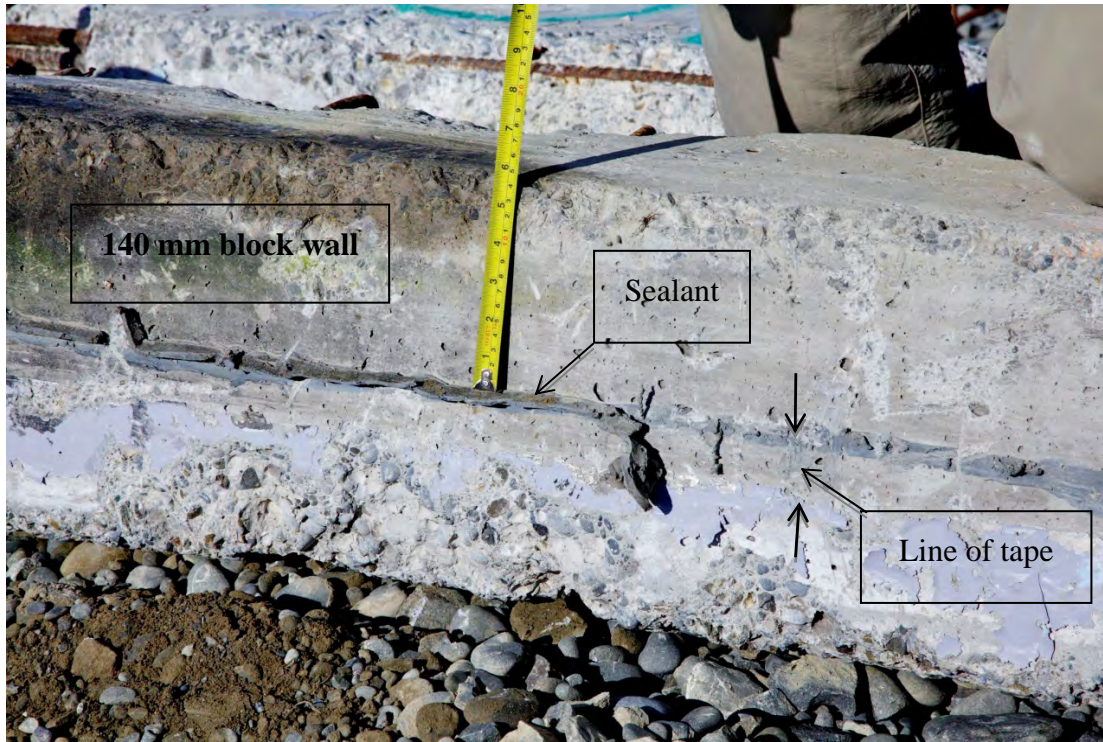




**Figure 1 Remains of CTV Building at Burwood**



a) Remnant of sealant on face of rectangular column



b) Remnant of sealant on reinforced core filled blocks

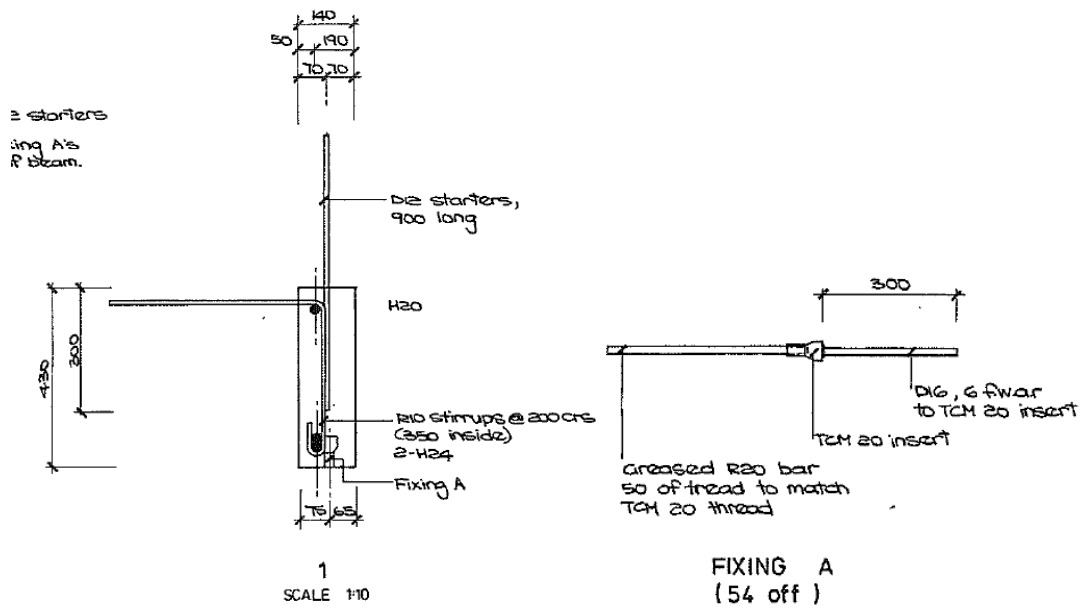
**Figure 2 Remnant of sealant between the rectangular columns and western the block wall**



**Figure 3 Remnant of 140 mm block wall**



(a) Fixing A at Burwood



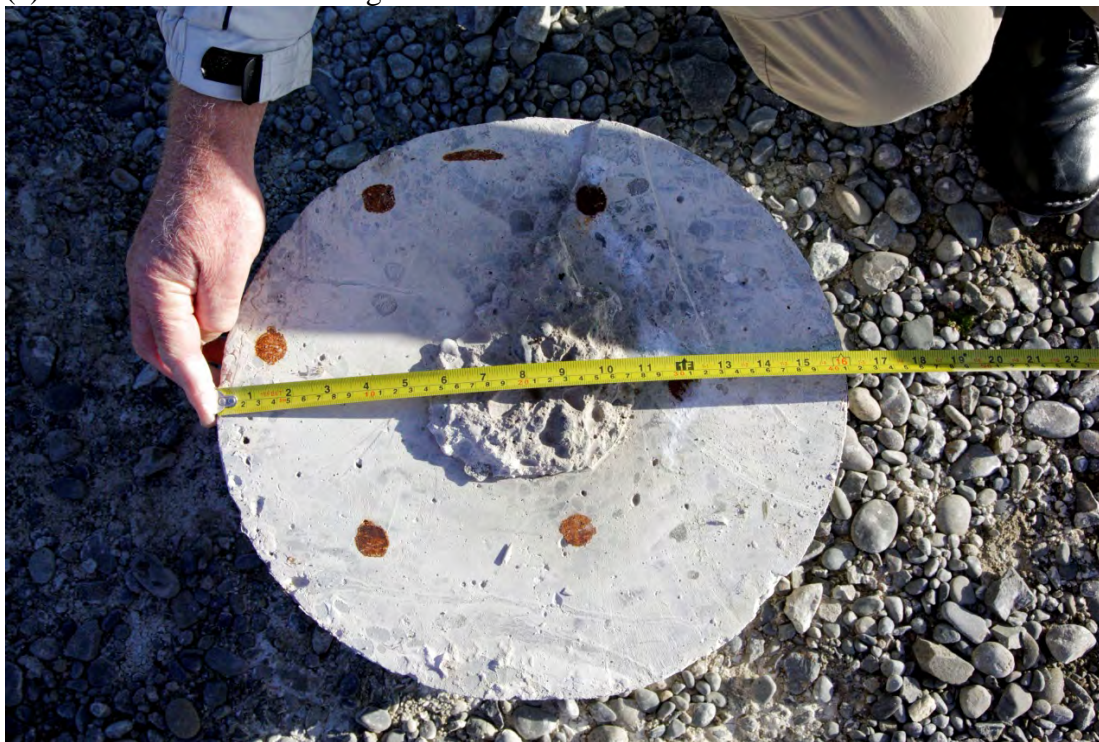
(b) Dwg S23 Section 1

(c) Dwg S39 Fixing A

Figure 4 A deformed assembly consistent with Fixing A

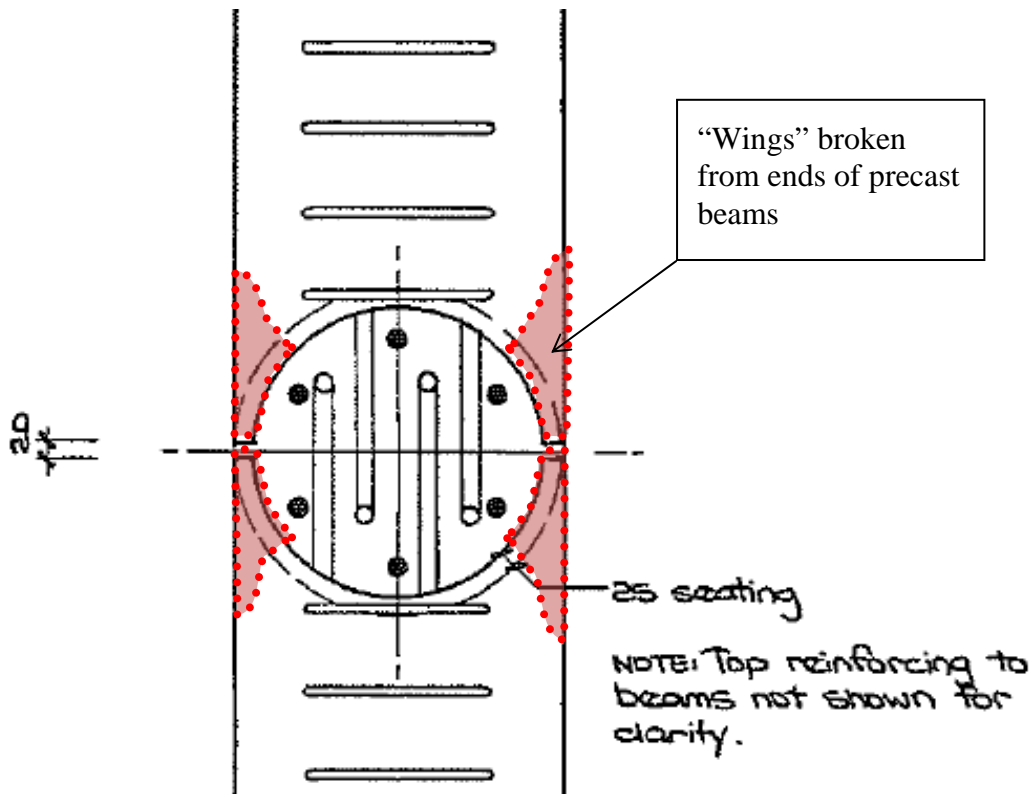


(a) Cross-section of a rectangular column with cored hole



(b) Slightly oval cross-section of a circular column

**Figure 5 Examples of columns with low and high cover**



(a) Plan of a typical connection between a precast internal beam and an internal circular column showing "wings" (Dwg S18 Detail 7)



(b) Examples of internal beams with broken "wings"

Figure 6 Broken "wings" on internal beams.



(a) Overview of edge beam showing shell beam broken away from the infill concrete



(b) Close-up of smooth and rough surfaces of infill concrete. The concrete of the shell beam had been broken to reveal the shell beam reinforcement.

**Figure 7 An upside down broken edge beam**

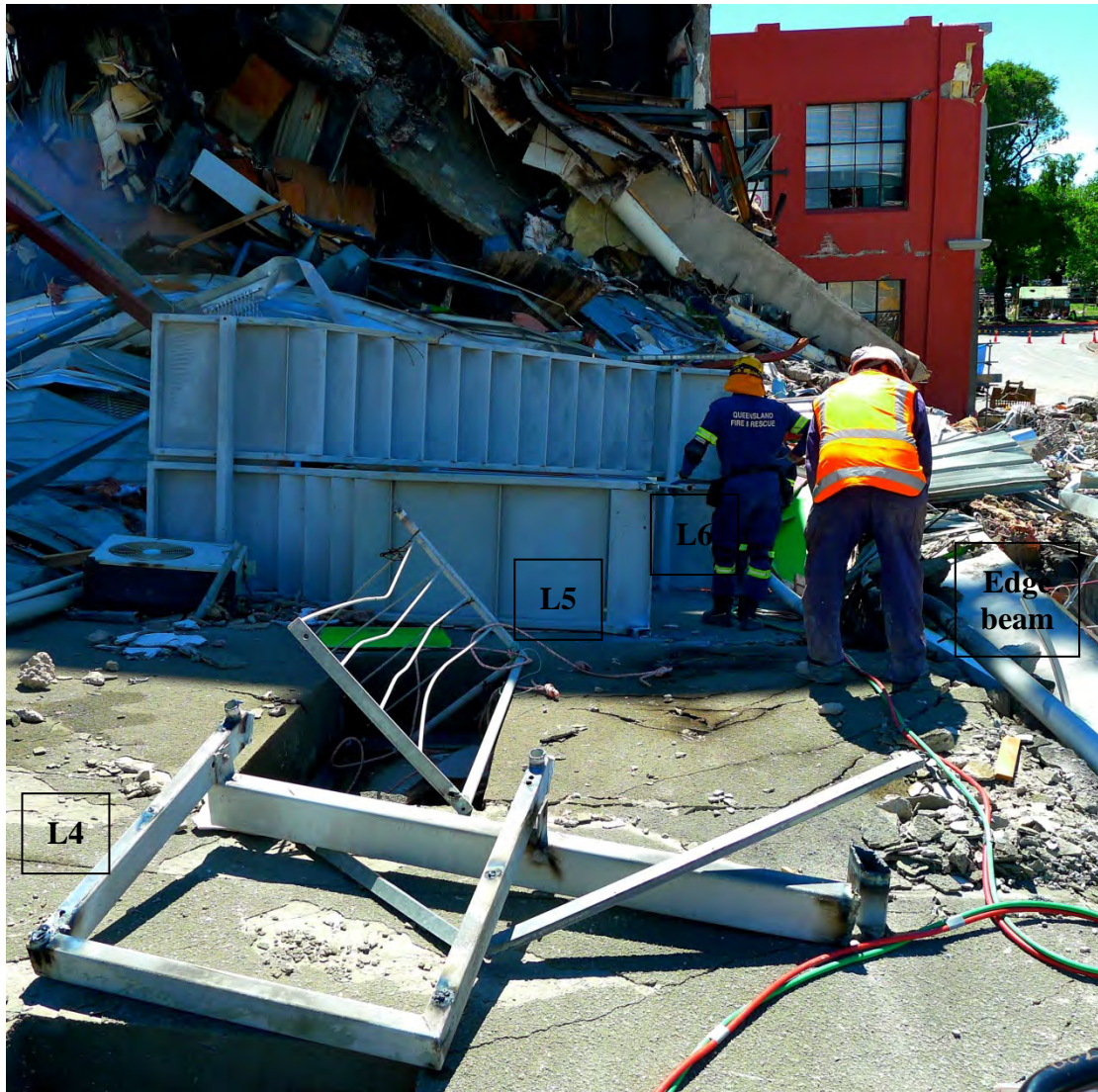
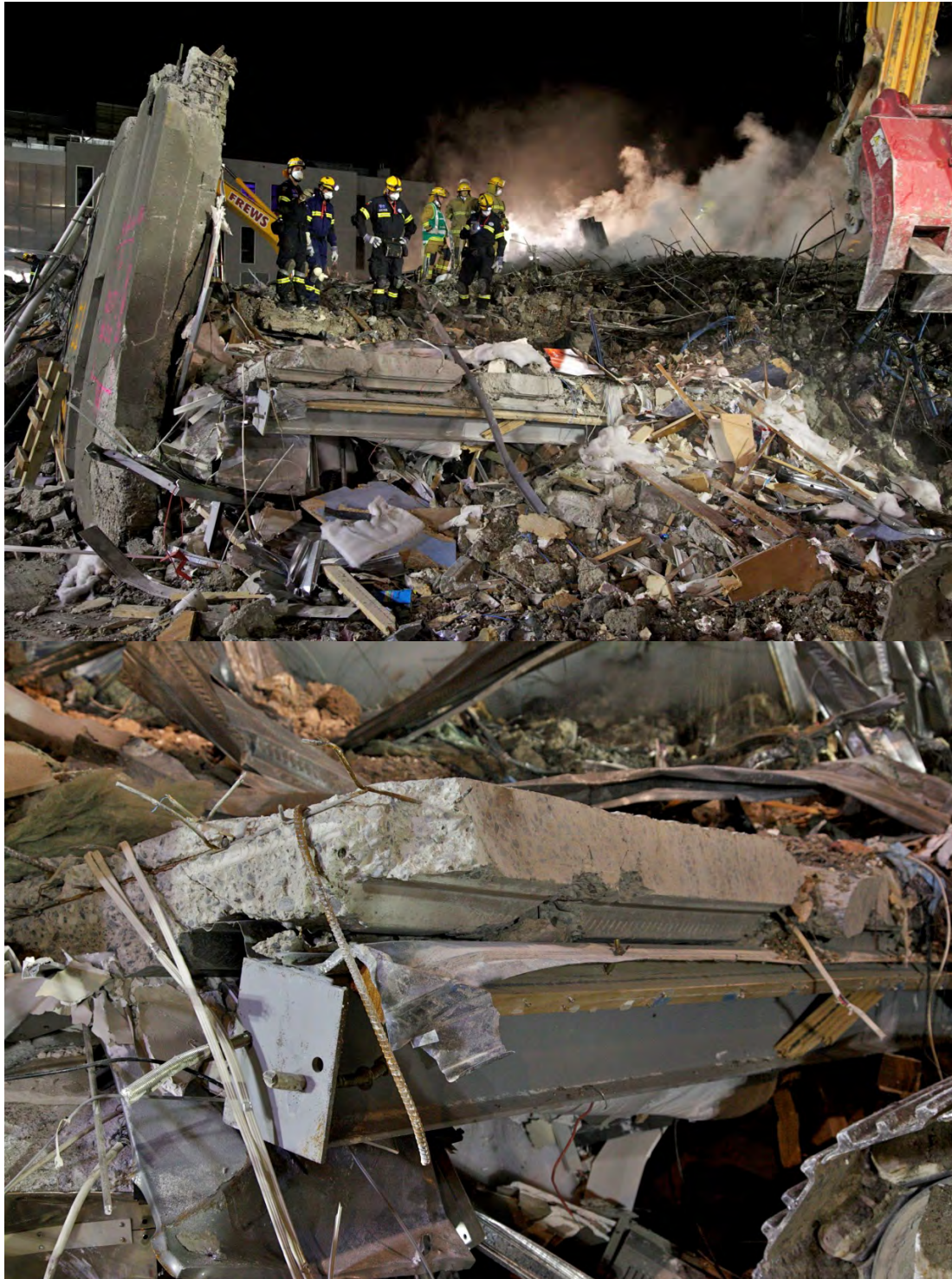


Figure 8 View of South Wall during operations to remove escape stair (Photo by John Reid)





**Figure 9 Steel trimming beam: Level 2, south-east corner of the Building**