

STRUCTURAL DRAWINGS

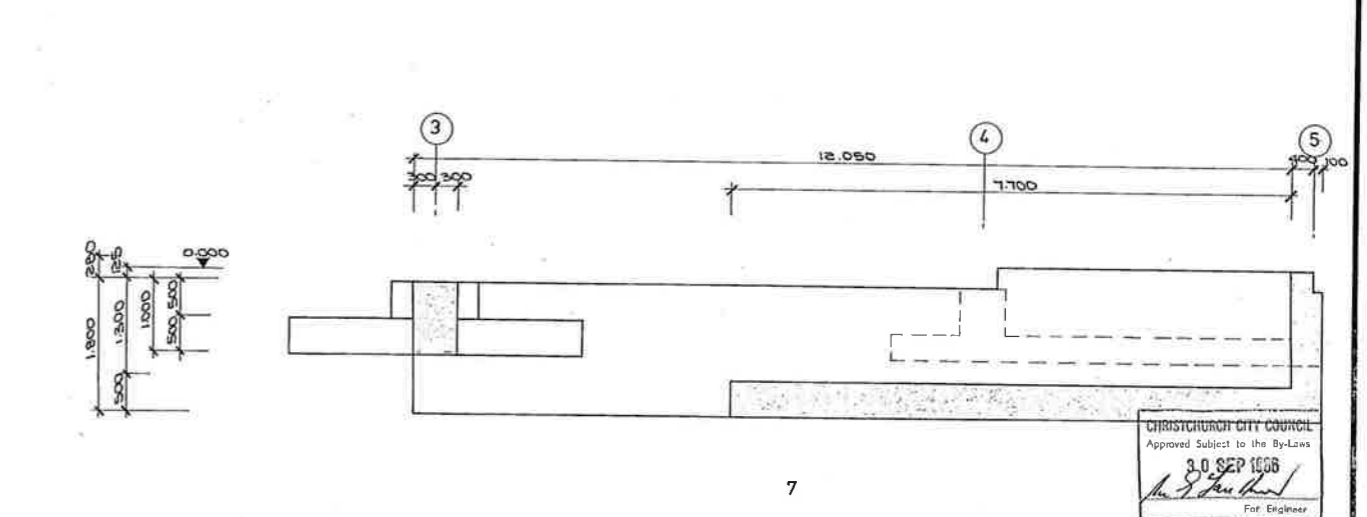
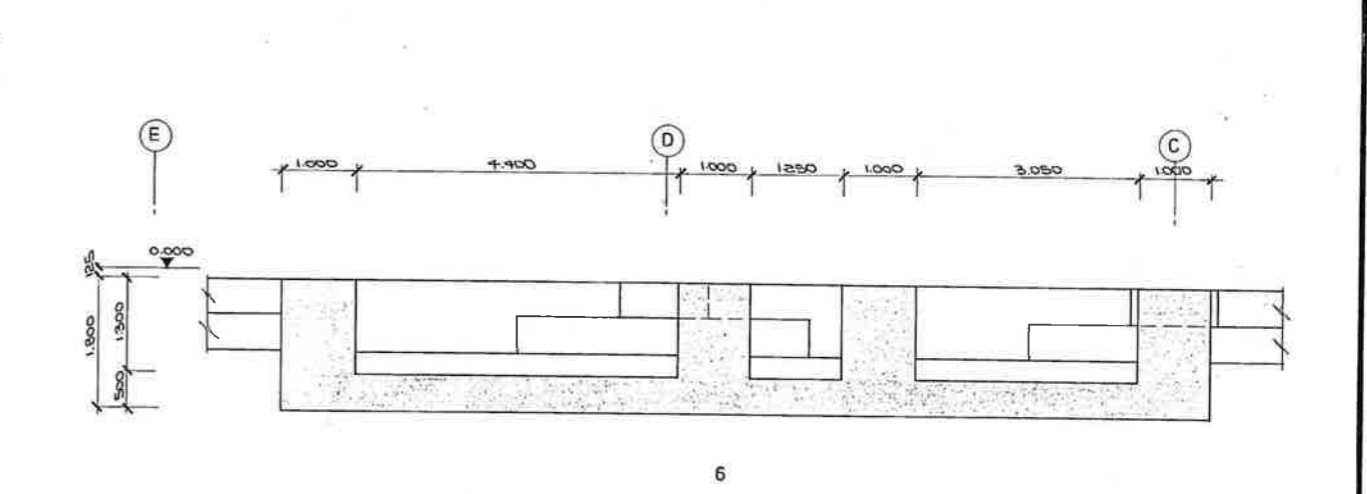
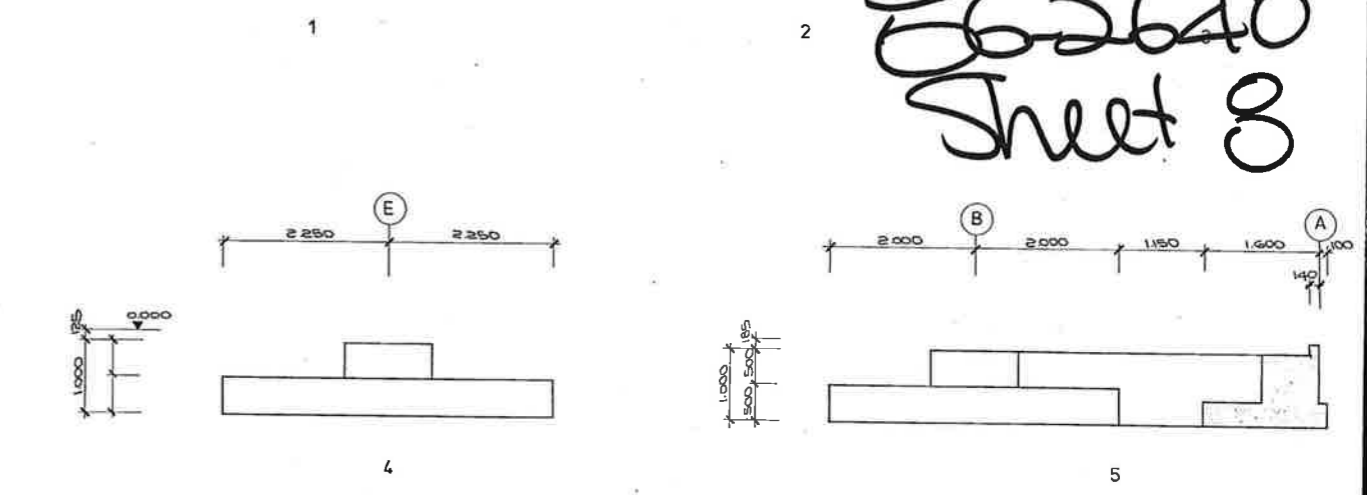
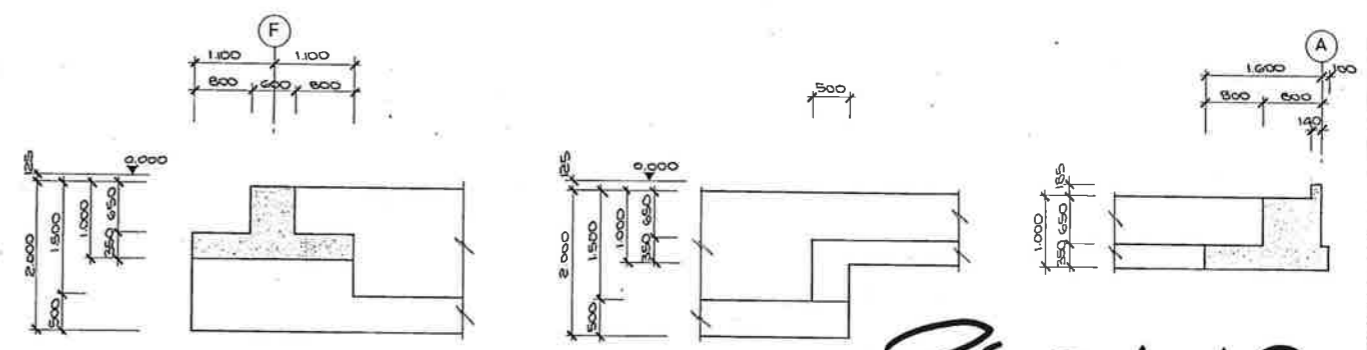
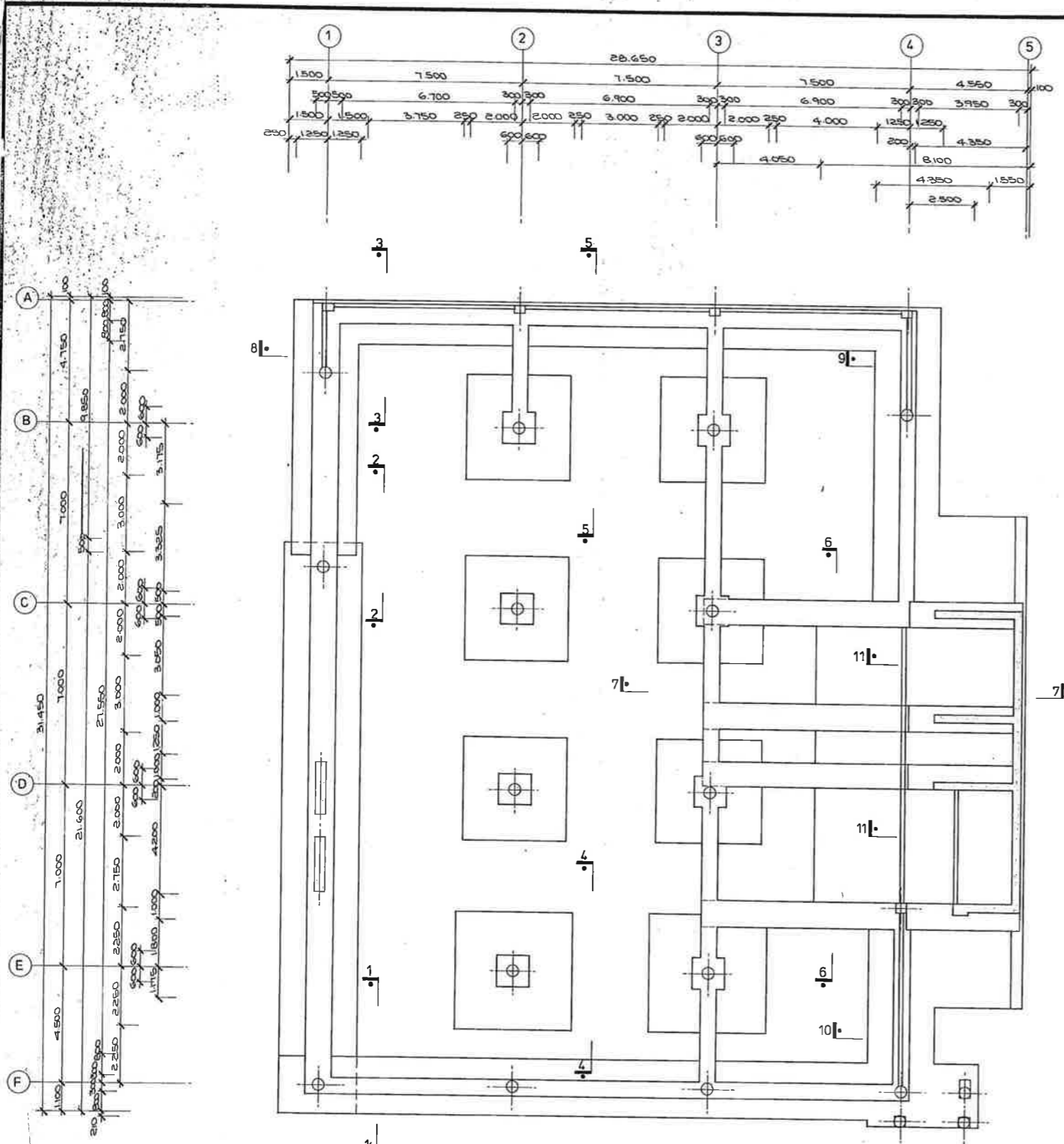
**OFFICE BUILDING - 249 MADRAS STREET**

ALAN REAY CONSULTANTS  
Consulting Engineers  
Christchurch

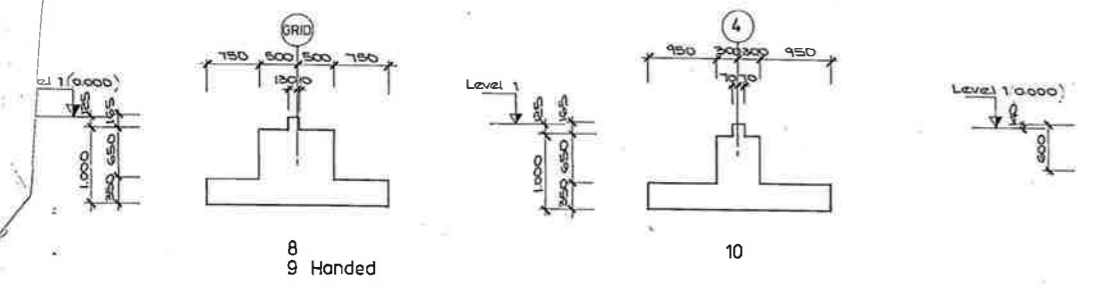
File 2503  
Set No **7**







*262640*  
*Sheet 8*



NOTE: Pass H16 bars thru & over main foundation beams.

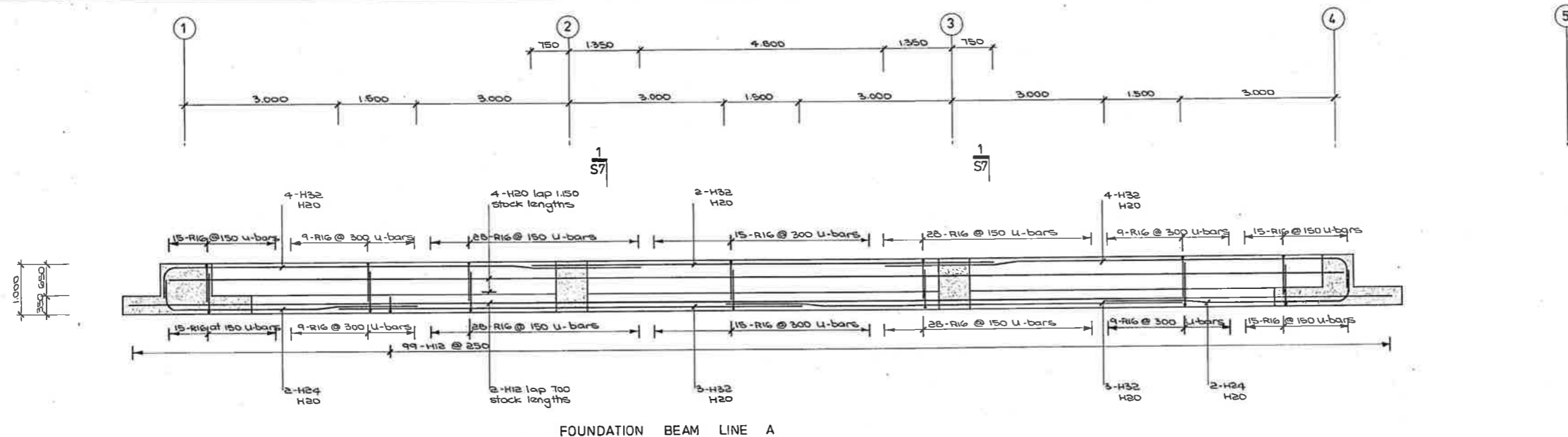
CHRISTCHURCH CITY COUNCIL  
Approved Subject to the By-Laws  
30 SEP 1986  
*Alan M. Reay*  
For Engineer

Copyright Alan M. Reay Consulting Engineer

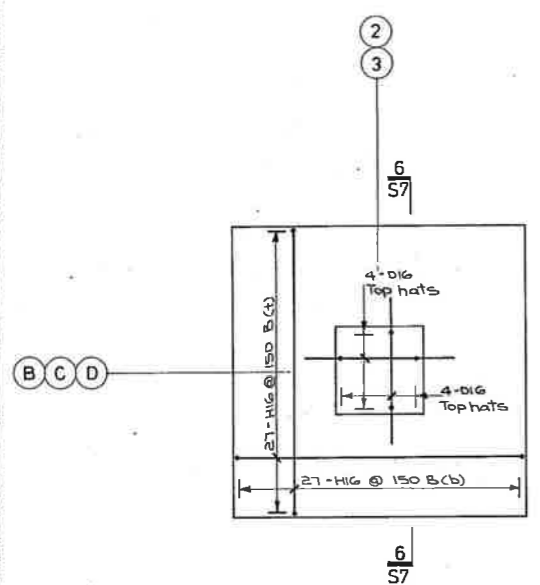
OFFICE BUILDING - 249 MADRAS STREET

|            |          |               |                   |       |      |
|------------|----------|---------------|-------------------|-------|------|
| APPROVED   | DATE     | SCALE         | FOUNDATION LAYOUT | SHEET | FILE |
| <i>AMR</i> | AUG 1986 | 1:100<br>1:50 |                   | S2    | 2503 |

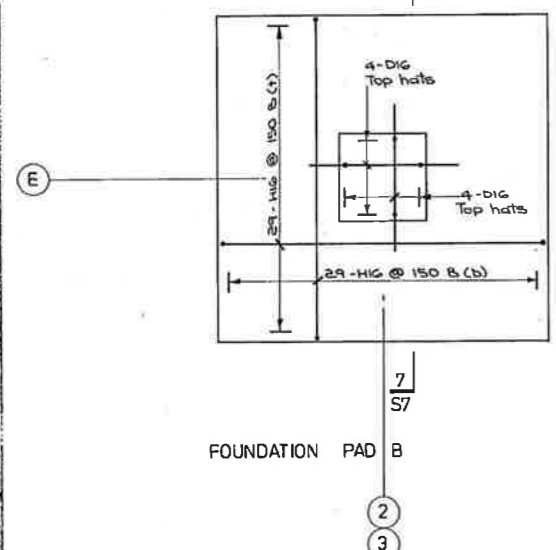
Note  
Allow to cast into foundations  
all starters for columns & walls  
shown on DWGS E10-E14 and  
blockwork starters on DWG E11.



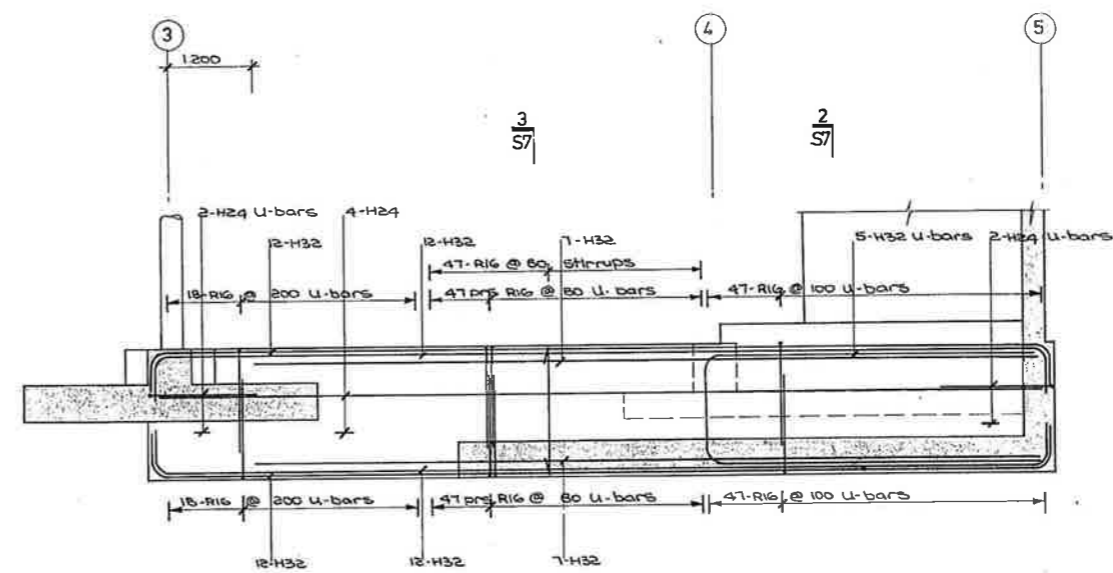
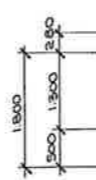
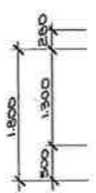
FOUNDATION BEAM LINE A



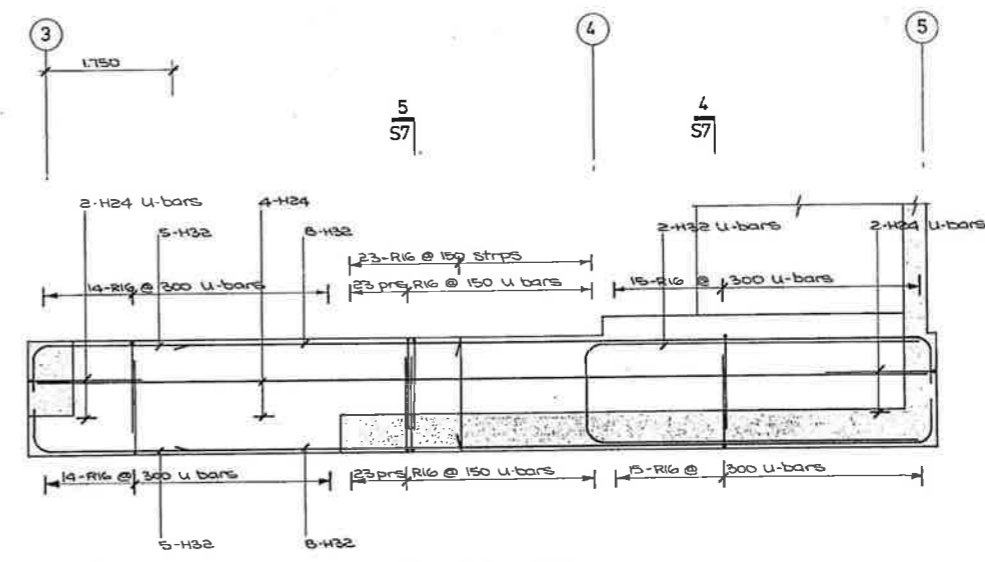
FOUNDATION PAD A



FOUNDATION PAD B



FOUNDATION BEAM LINE C

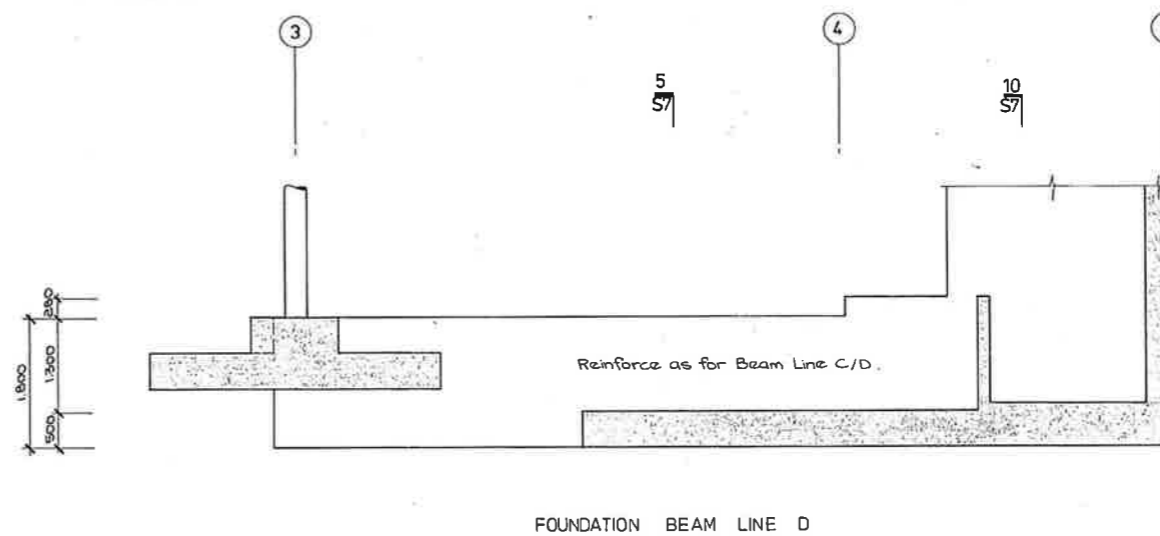
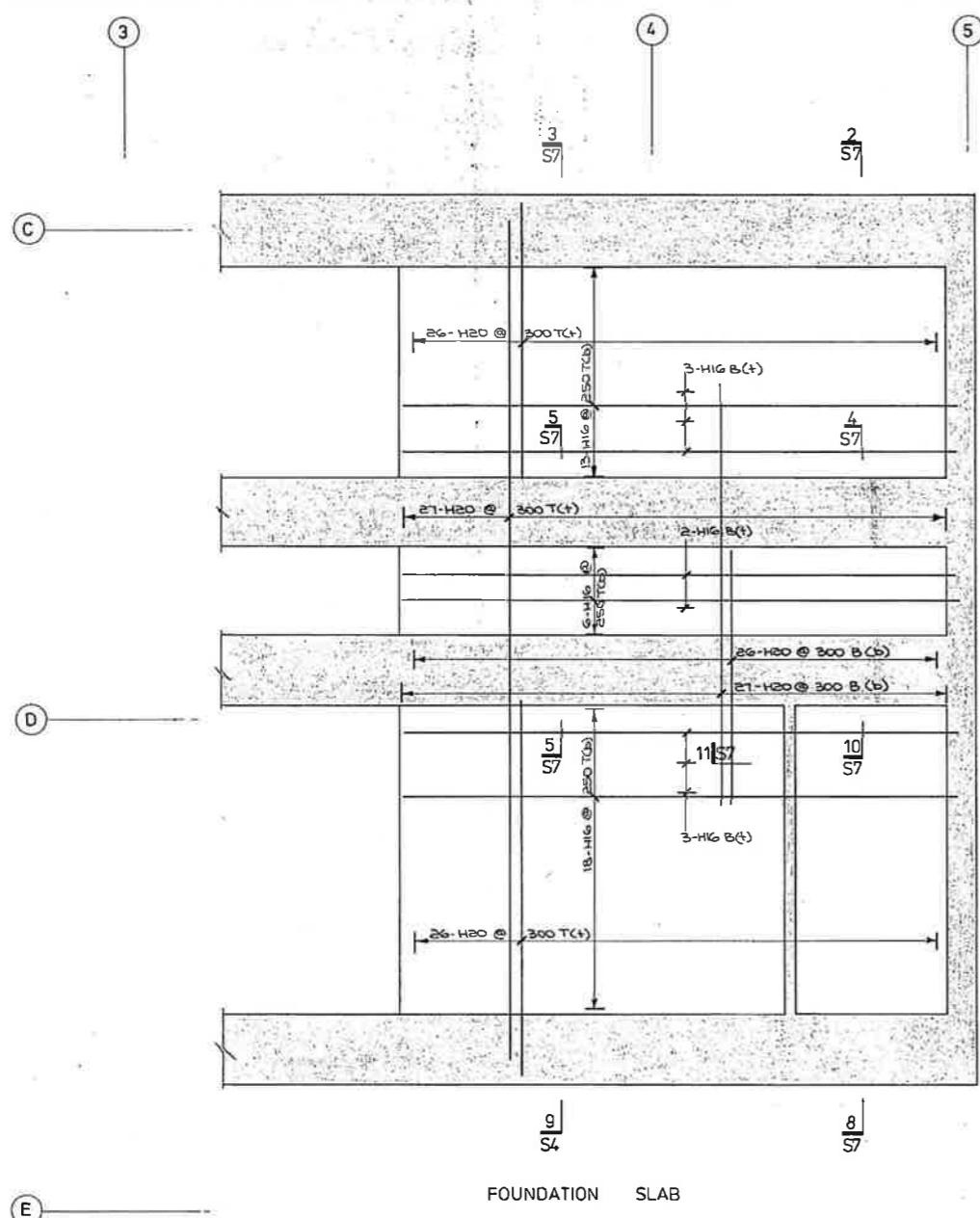


FOUNDATION BEAM LINE C/D

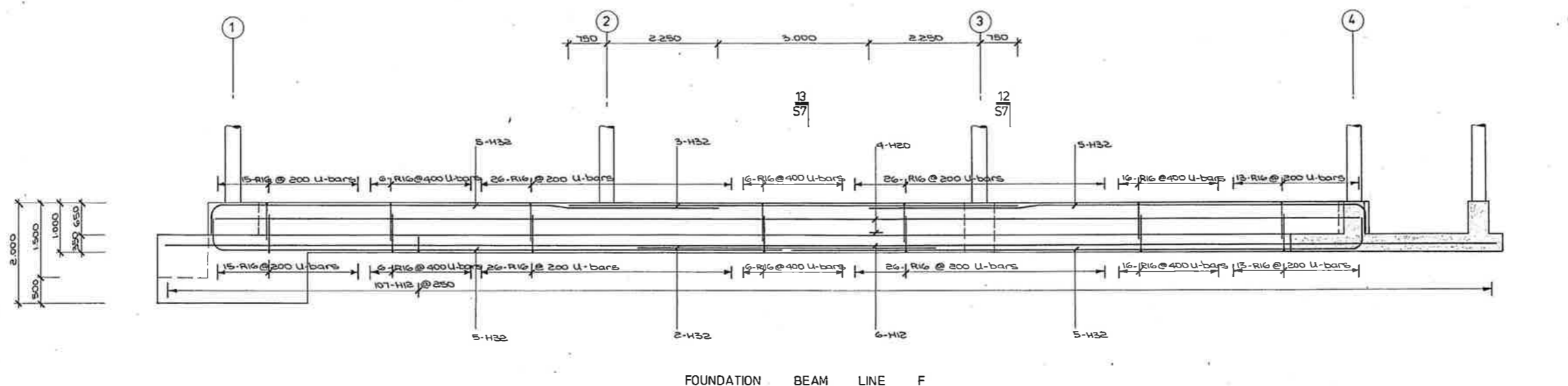
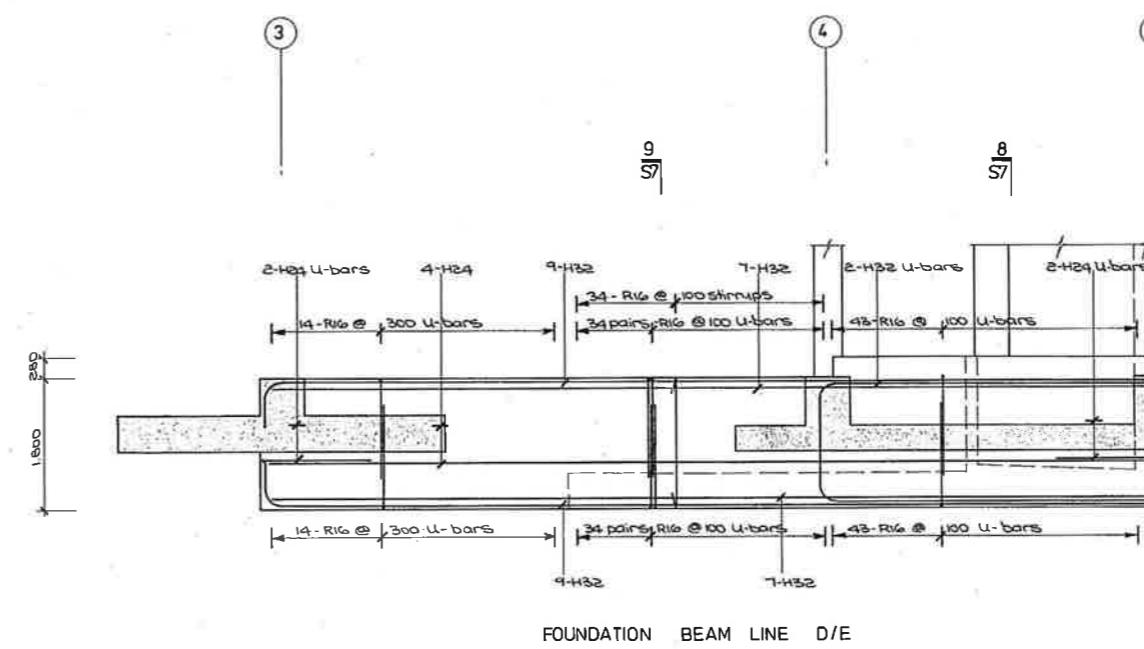
CHRISTCHURCH CITY COUNCIL  
 Approved Subject to the By-Laws  
 30 SEP 1986  
*Alan M. Reay*  
 For Engineer

Copyright Alan M. Reay Consulting Engineer

| APPROVED   | DATE     | SCALE | SHEET                  | FILE    |
|------------|----------|-------|------------------------|---------|
| <i>AMR</i> | AUG 1986 | 1:50  | FOUNDATION REINFORCING | S3 2503 |



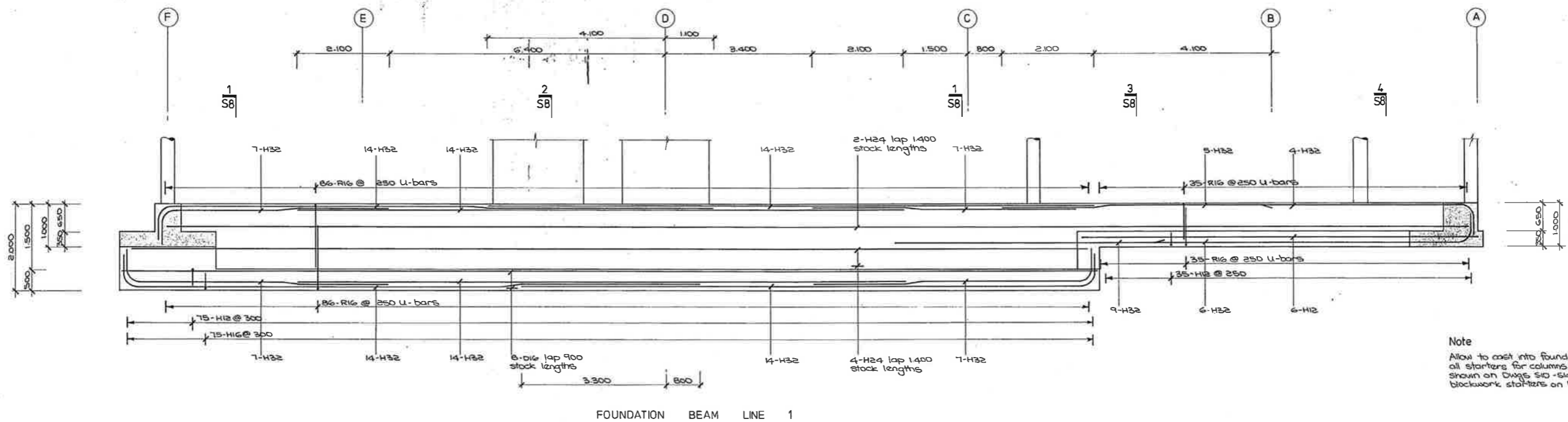
Note  
 Allow to cast into foundations  
 all starters for columns & walls  
 shown on Dwg's S10-S14 and  
 blackwork starters on Dwg S17.



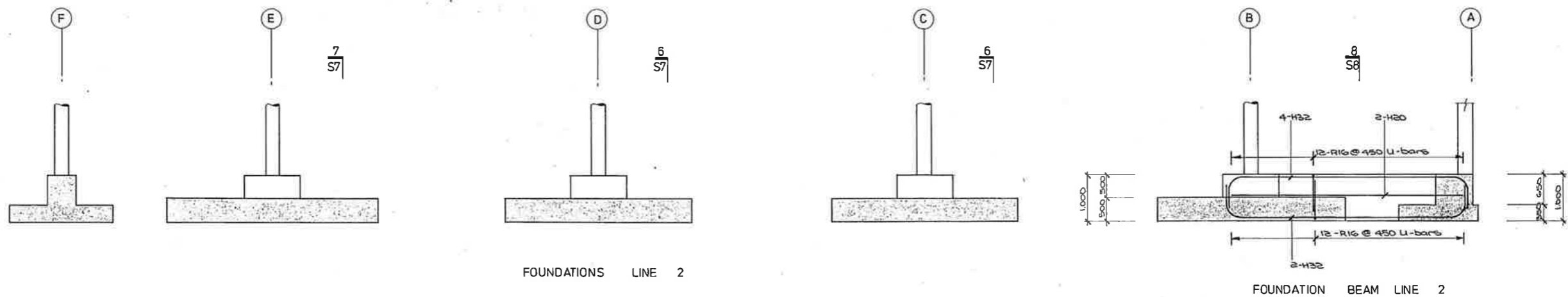
CHRISTCHURCH CITY COUNCIL  
 Approved Subject to the By-Laws  
 30 SEP 1986  
 For Engineer

Copyright Alan M. Reay Consulting Engineer

| APPROVED           | DATE     | SCALE | SHEET | FILE |
|--------------------|----------|-------|-------|------|
| <i>[Signature]</i> | AUG 1986 | 1:50  | S4    | 2503 |

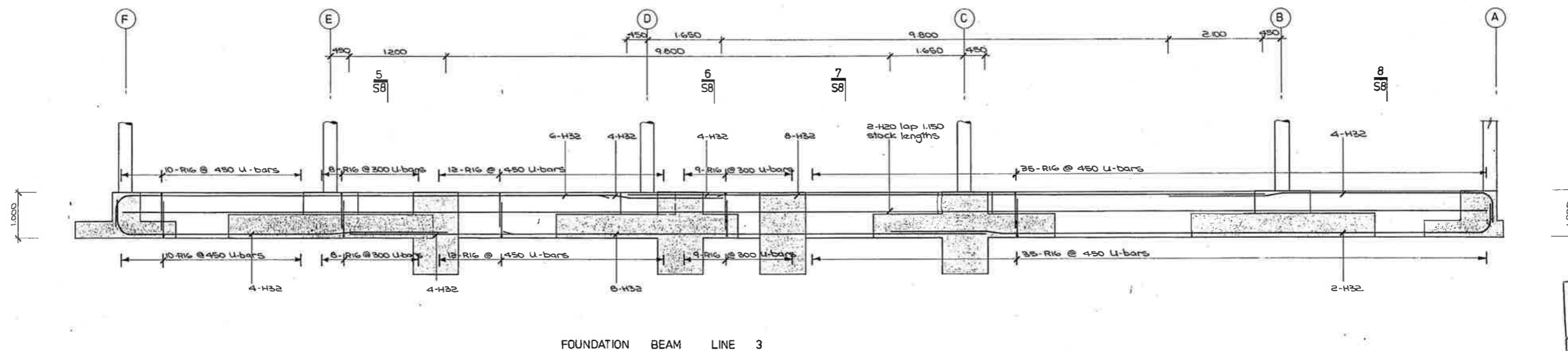


FOUNDATION BEAM LINE 1



FOUNDATIONS LINE 2

FOUNDATION BEAM LINE 2

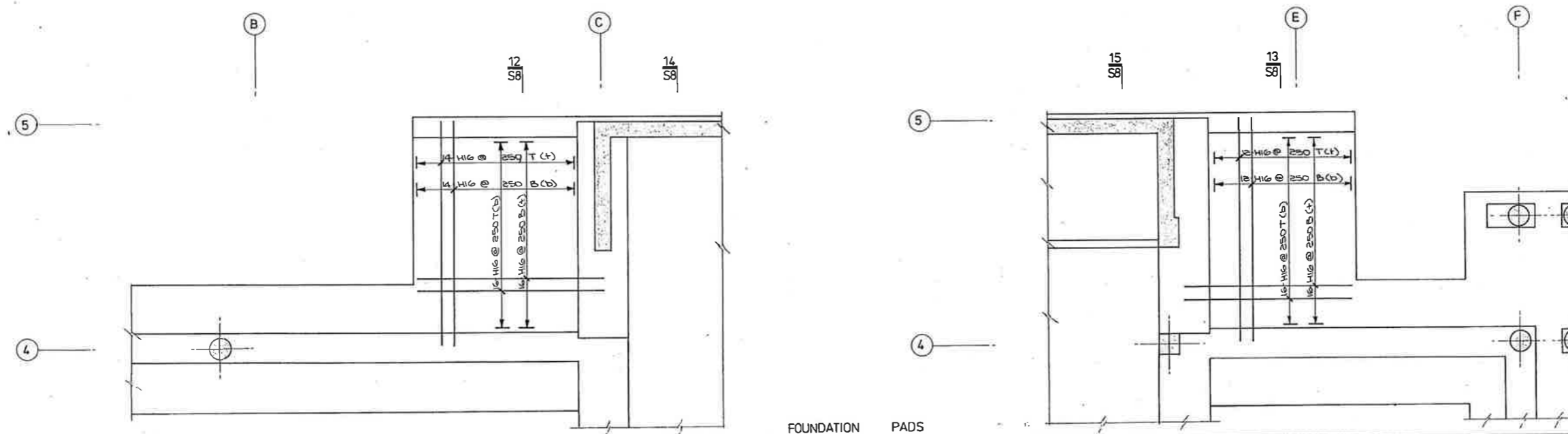
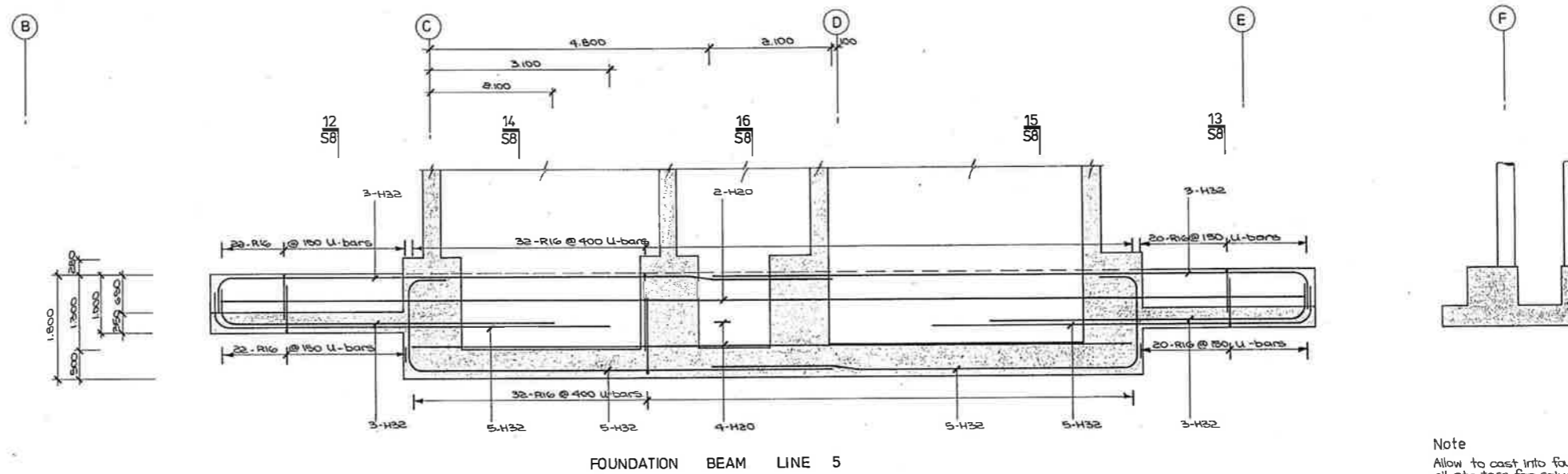
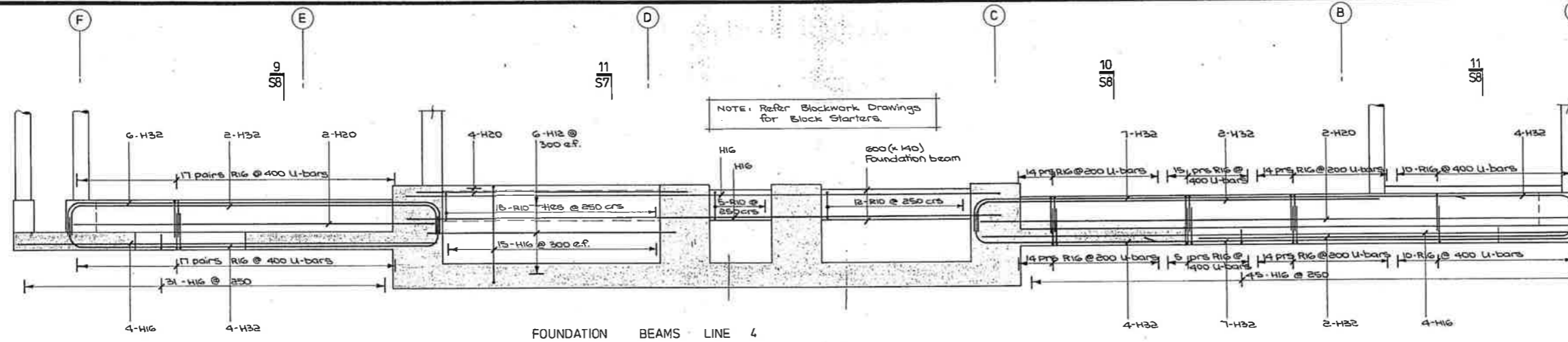


FOUNDATION BEAM LINE 3

CHRISTCHURCH CITY COUNCIL  
 Approved Subject to the By-Laws  
 3.0 SEP 1986  
 For Engineers

Copyright Alan M. Reay Consulting Engineer

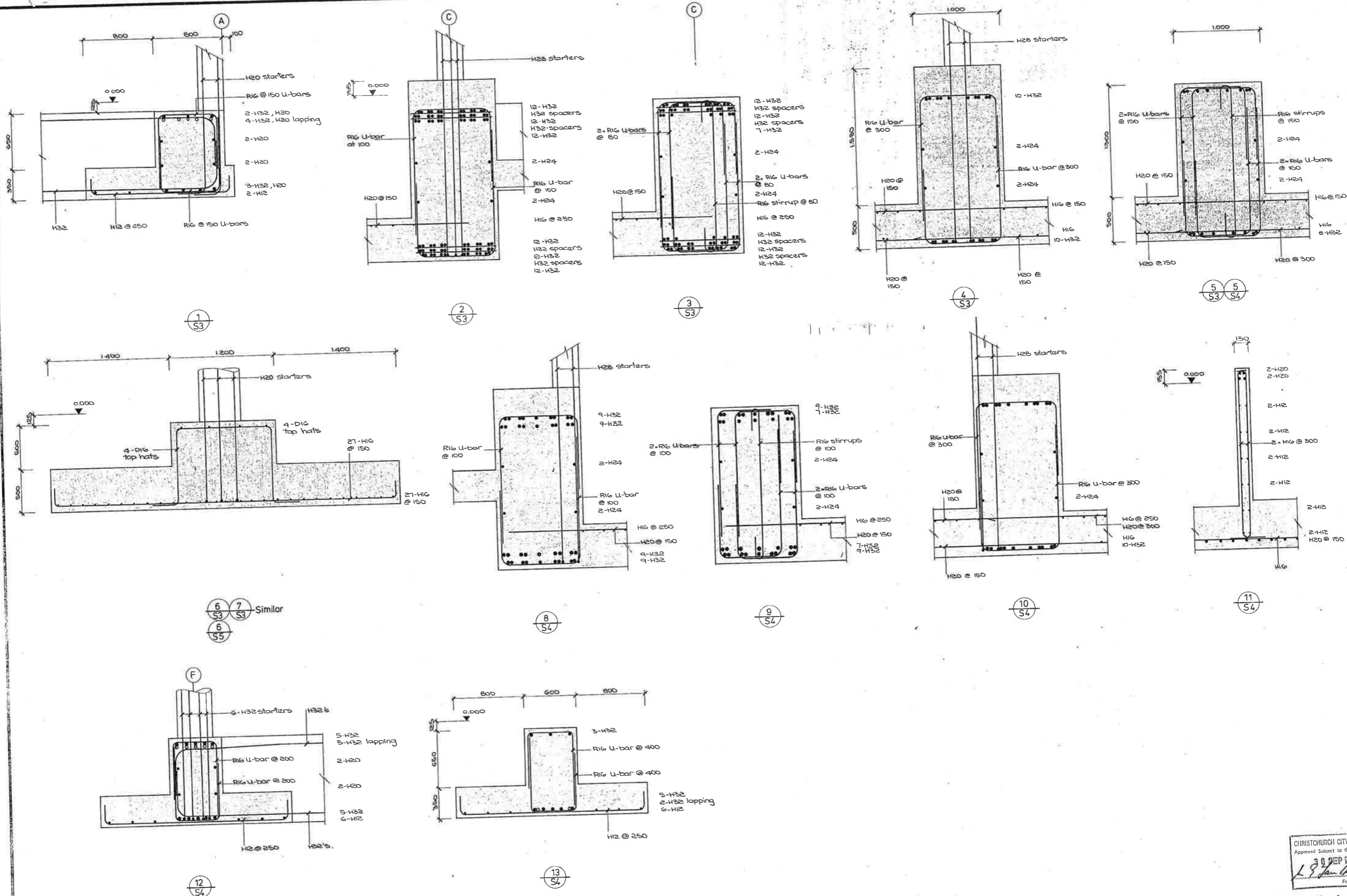
| APPROVED           | DATE     | SCALE | SHEET | FILE |
|--------------------|----------|-------|-------|------|
| <i>[Signature]</i> | AUG 1986 | 1:50  | S5    | 2503 |



CHRISTCHURCH CITY COUNCIL  
 Approved Subject to the By-Laws  
 30 SEP 1986  
*Alan M. Reay*  
 For Engineer

Copyright Alan M. Reay Consulting Engineer

| APPROVED   | DATE     | SCALE | SHEET                  | FILE    |
|------------|----------|-------|------------------------|---------|
| <i>AMR</i> | AUG 1986 | 1:50  | FOUNDATION REINFORCING | S6 2503 |



CHRISTCHURCH CITY COUNCIL  
 Approved Subject to the By-Laws  
 30 SEP 1986  
 For Engineer

Copyright Alan M. Reay Consulting Engineer

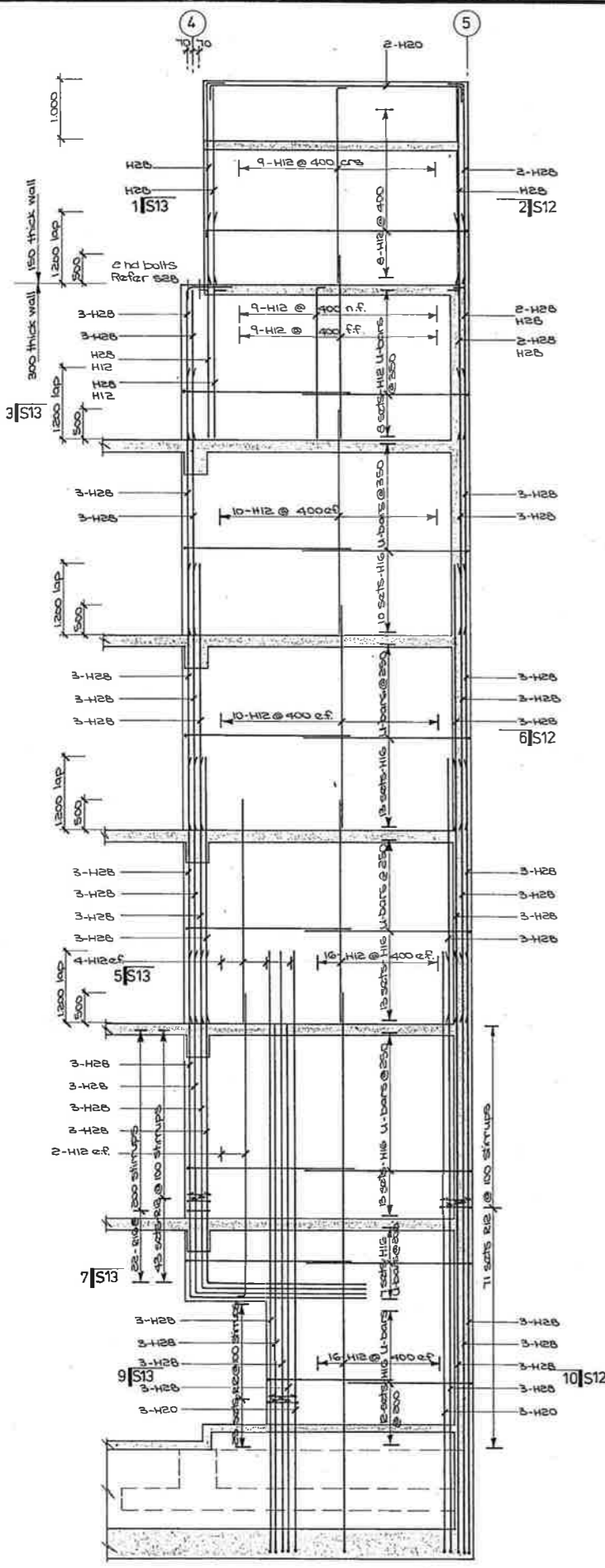
| APPROVED           | DATE     | SCALE | SHEET | FILE |
|--------------------|----------|-------|-------|------|
| <i>[Signature]</i> | AUG 1986 | 1:20  | S7    | 2503 |



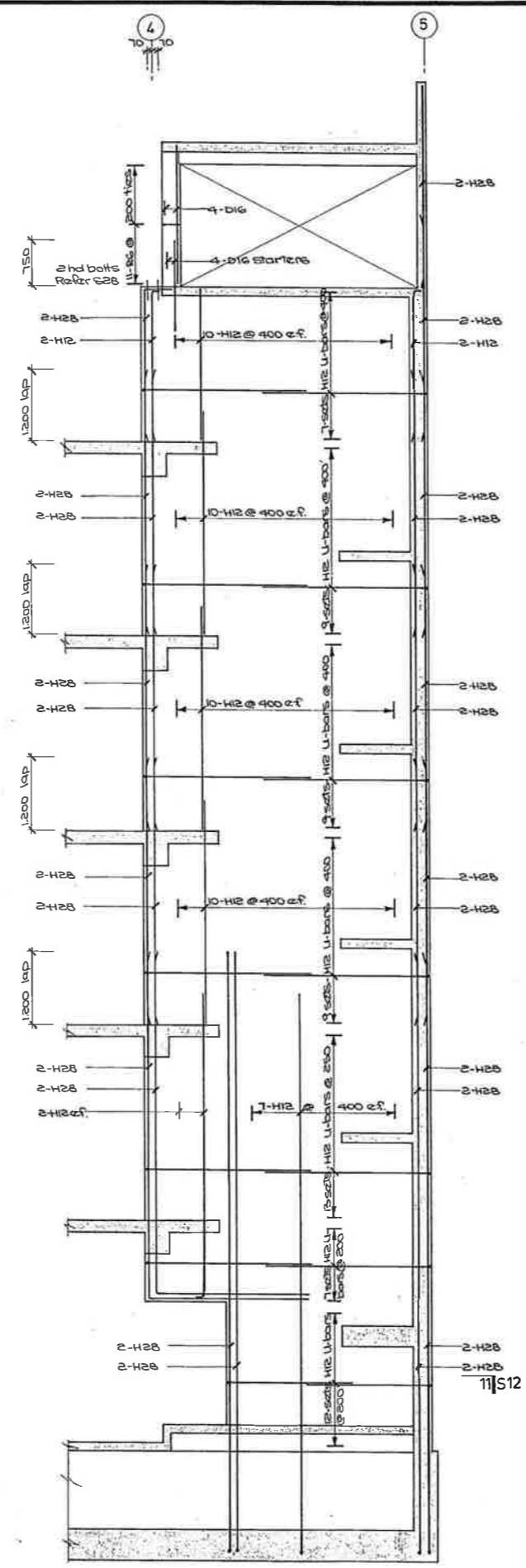




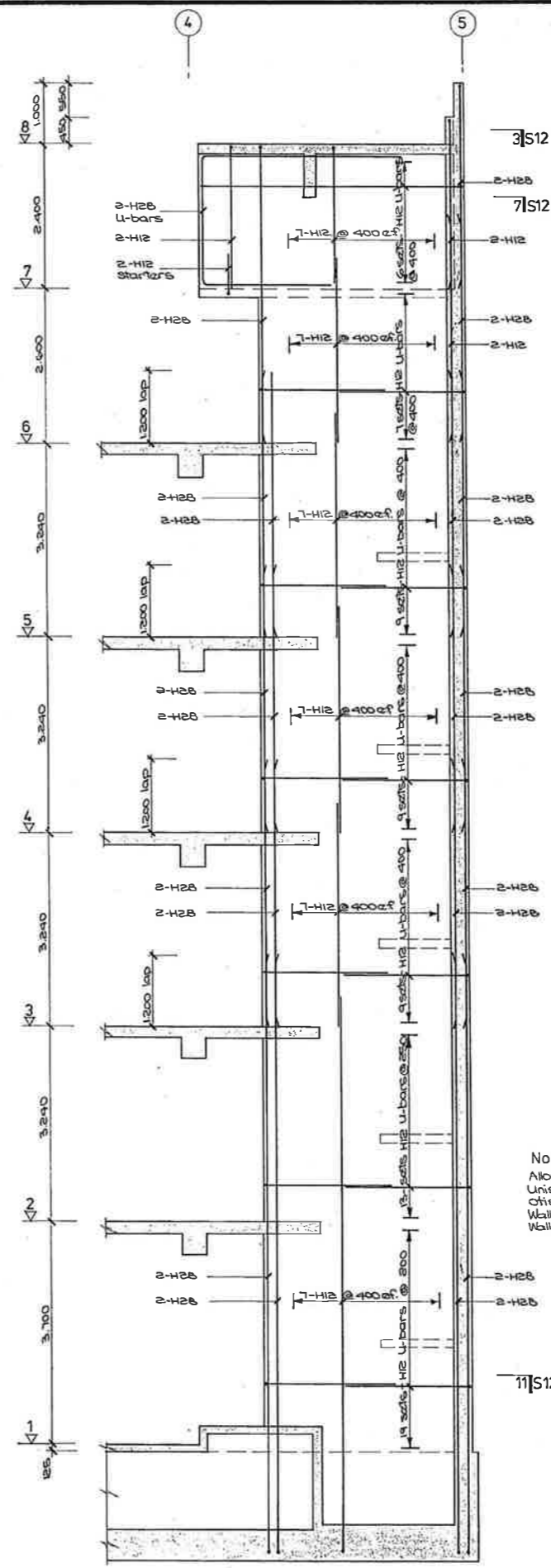




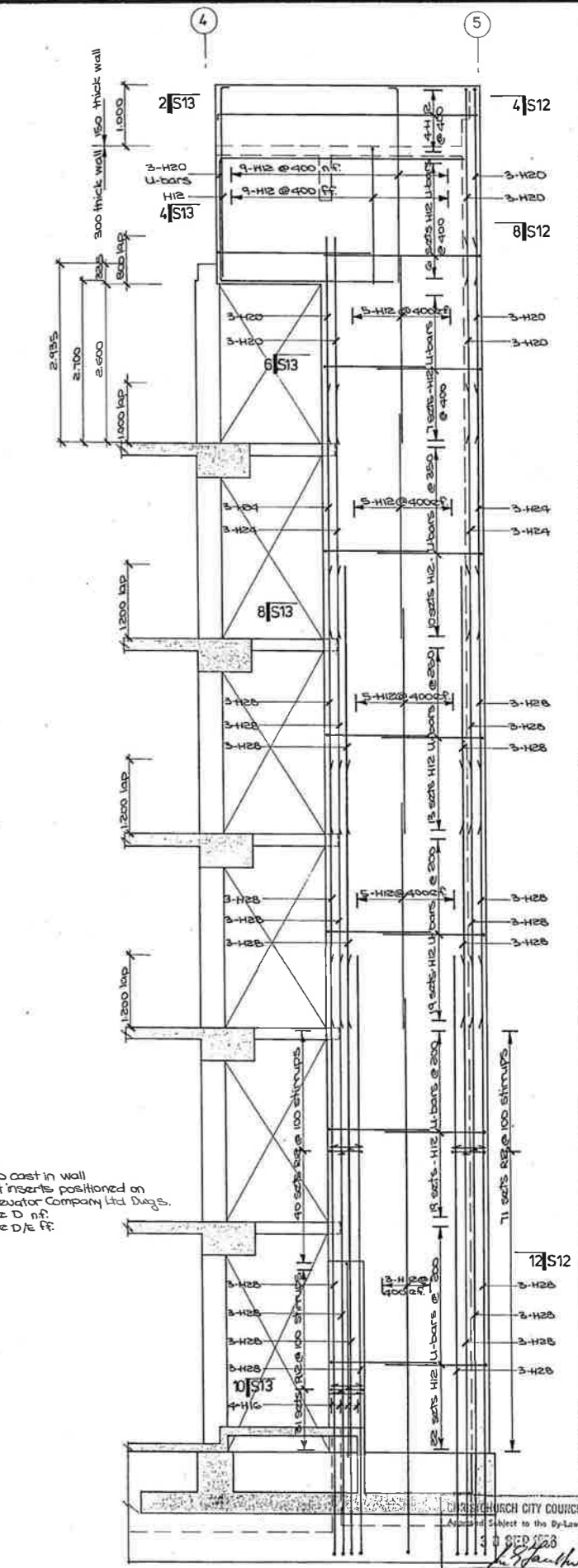
WALL LINE C



WALL LINE C/D



WALL LINE D

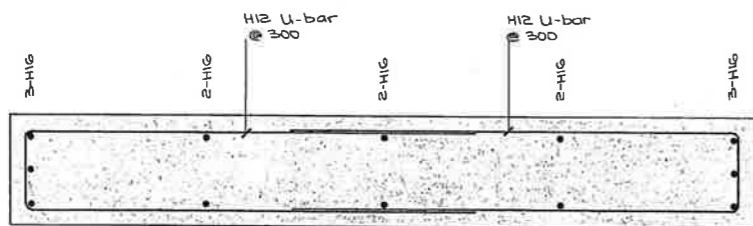


WALL LINE D/E

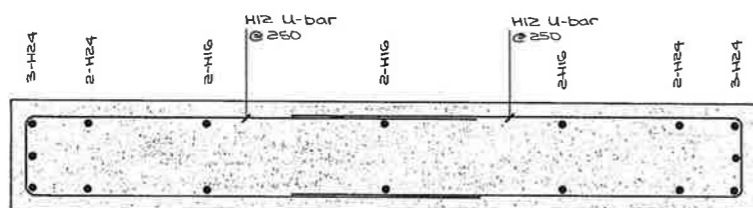
Note  
 Allow to cast in wall  
 Unistrut inserts positioned on  
 CHS Elevator Company Ltd Digs.  
 Wall Line D n/f.  
 Wall Line D/E ff.

CHRISTCHURCH CITY COUNCIL  
 Subject to the By-Laws  
 10 SEP 1986  
 For Engineer

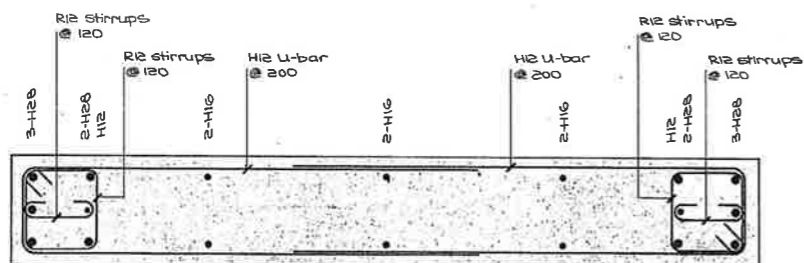
| APPROVED           | DATE     | SCALE | SHEET | FILE |
|--------------------|----------|-------|-------|------|
| <i>[Signature]</i> | AUG 1986 | 1/50  | S11   | 2503 |



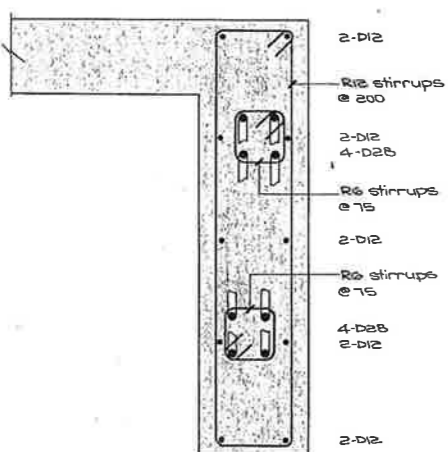
1/S10 WALL LINE 1



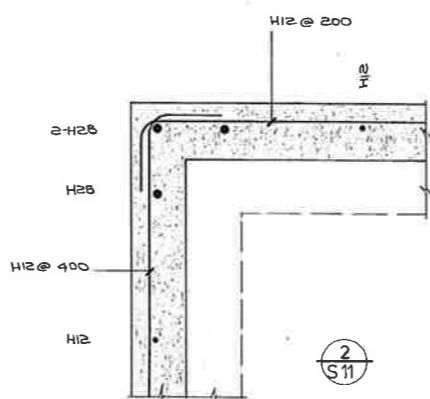
5/S10 WALL LINE 1



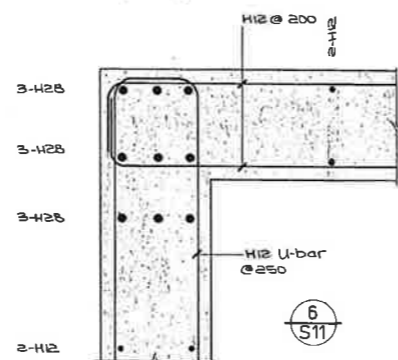
9/S10 WALL LINE 1



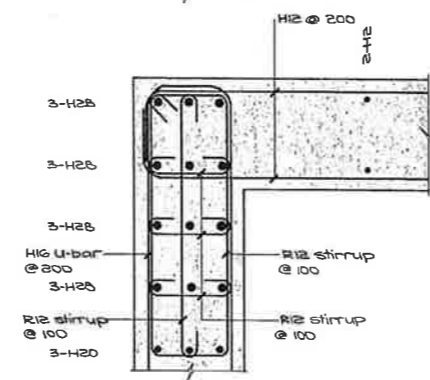
13/S10 WALL LINE 1



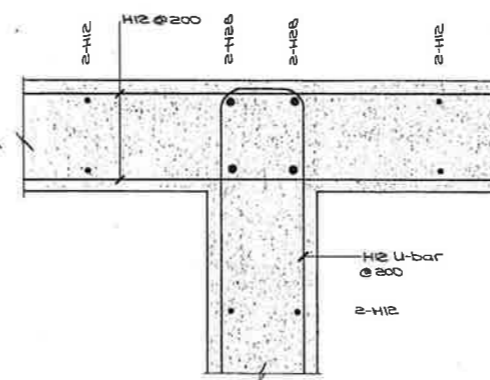
2/S11



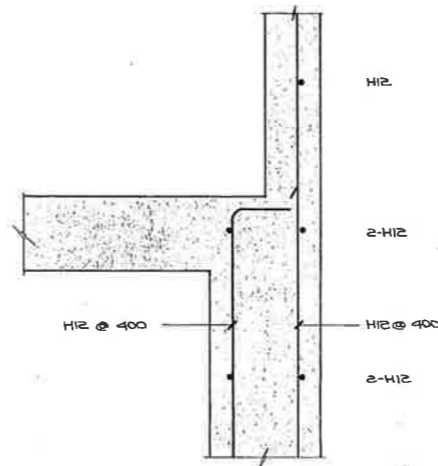
6/S11



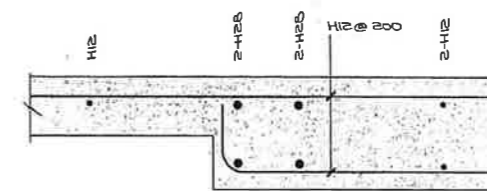
10/S11



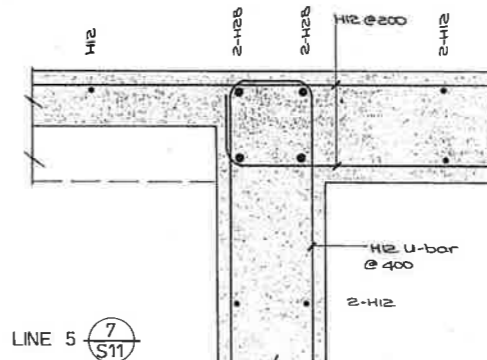
11/S11



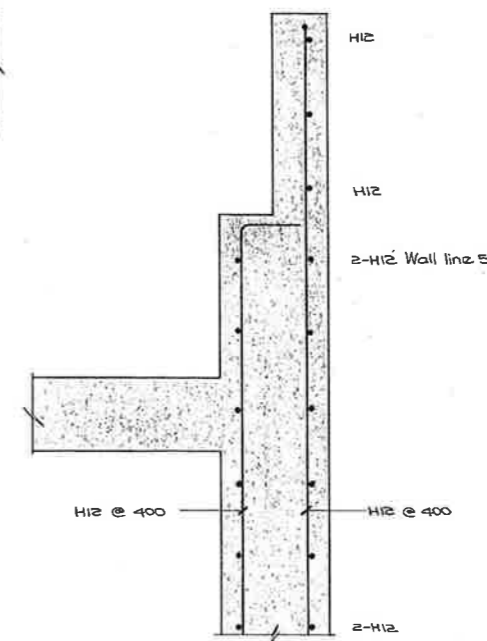
14/S10



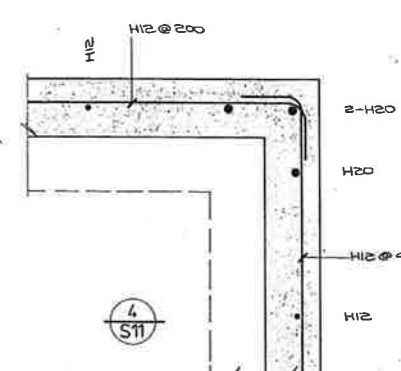
3/S11 WALL LINE 5



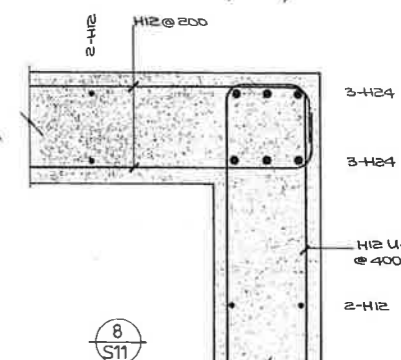
7/S11 WALL LINE 5



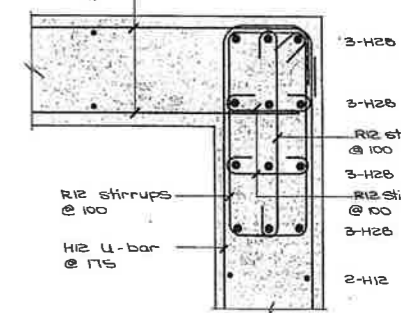
15/S10



4/S11



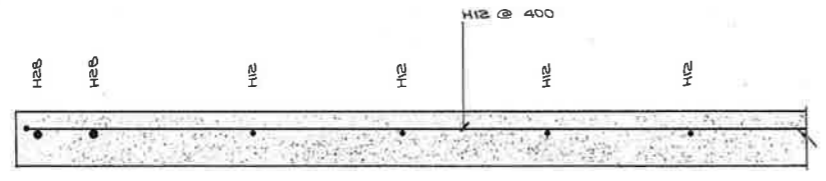
8/S11



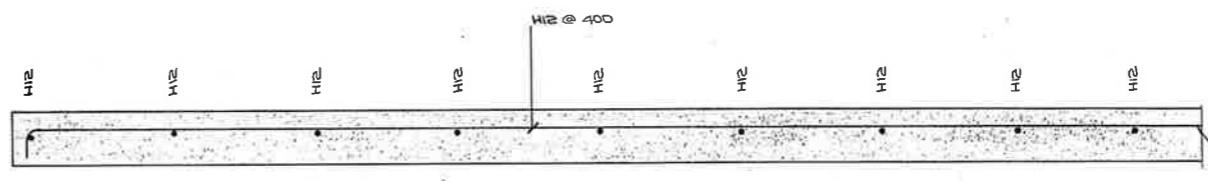
12/S11

CHRISTCHURCH CITY COUNCIL  
 Approved Subject to the By-Laws  
 30 SEP 1986  
 For Engineer

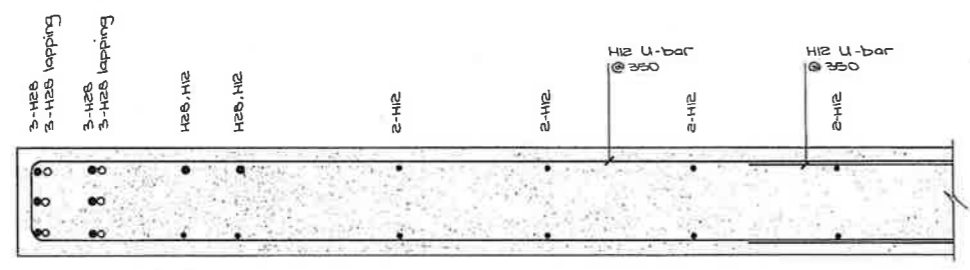
Copyright Alan M. Reay Consulting Engineer



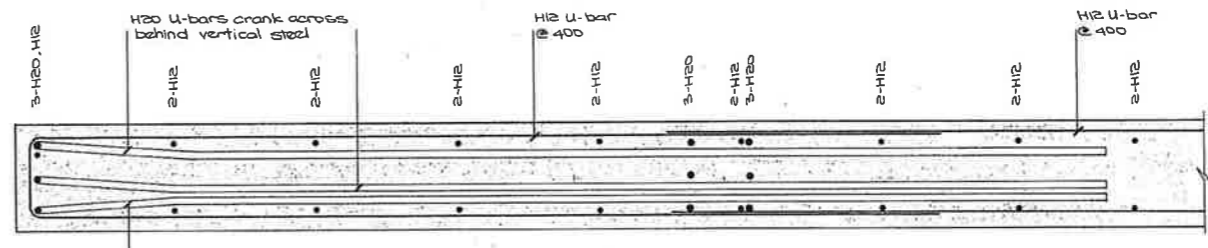
1 S11



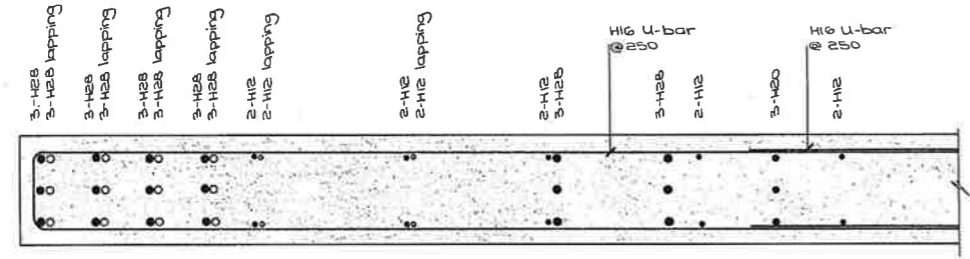
2 S11



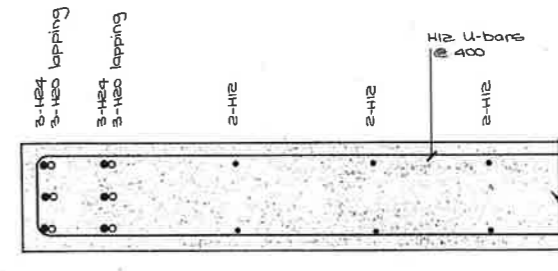
3 S11



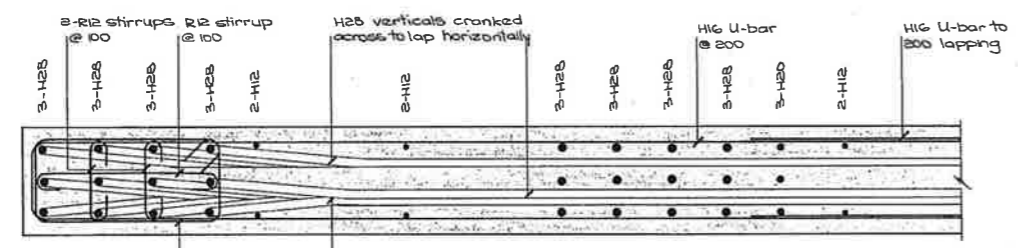
4 S11



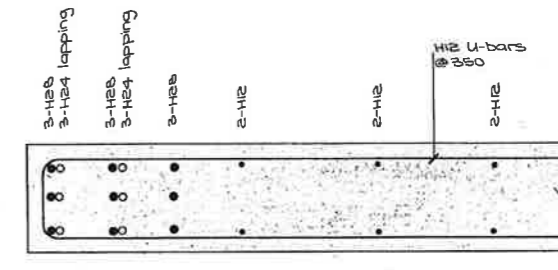
5 S11



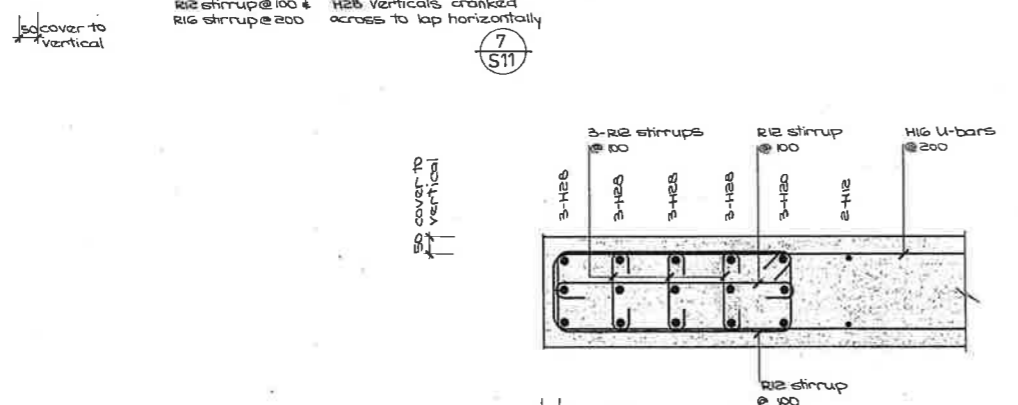
6 S11



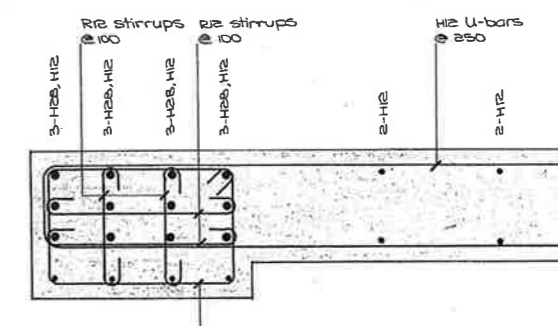
7 S11



8 S11



9 S11



10 S11

50 cover to vertical

50 cover to vertical

50 cover to vertical

50 cover to vertical

50 cover to vertical

50 cover to vertical

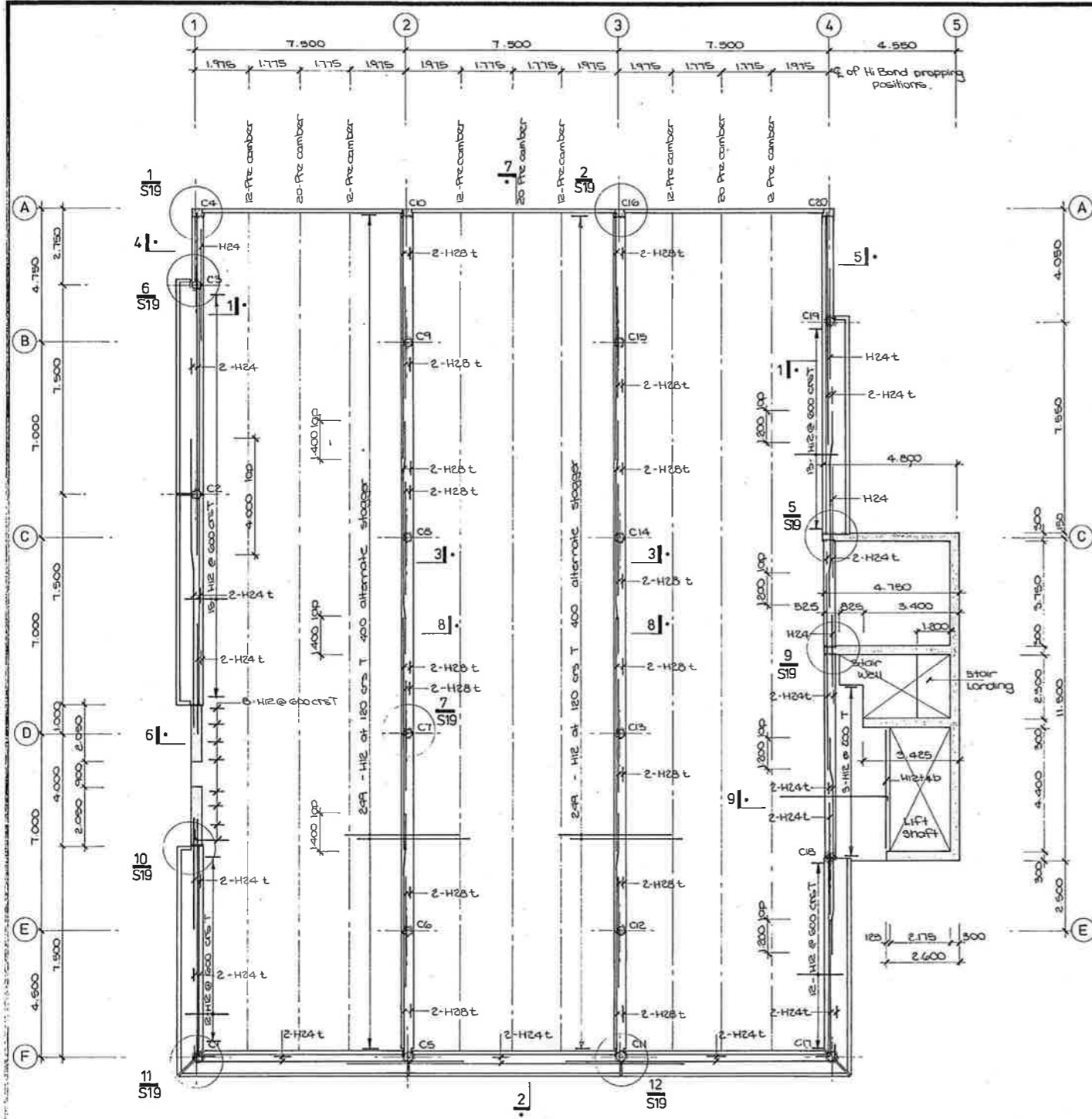
50 cover to vertical

50 cover to vertical

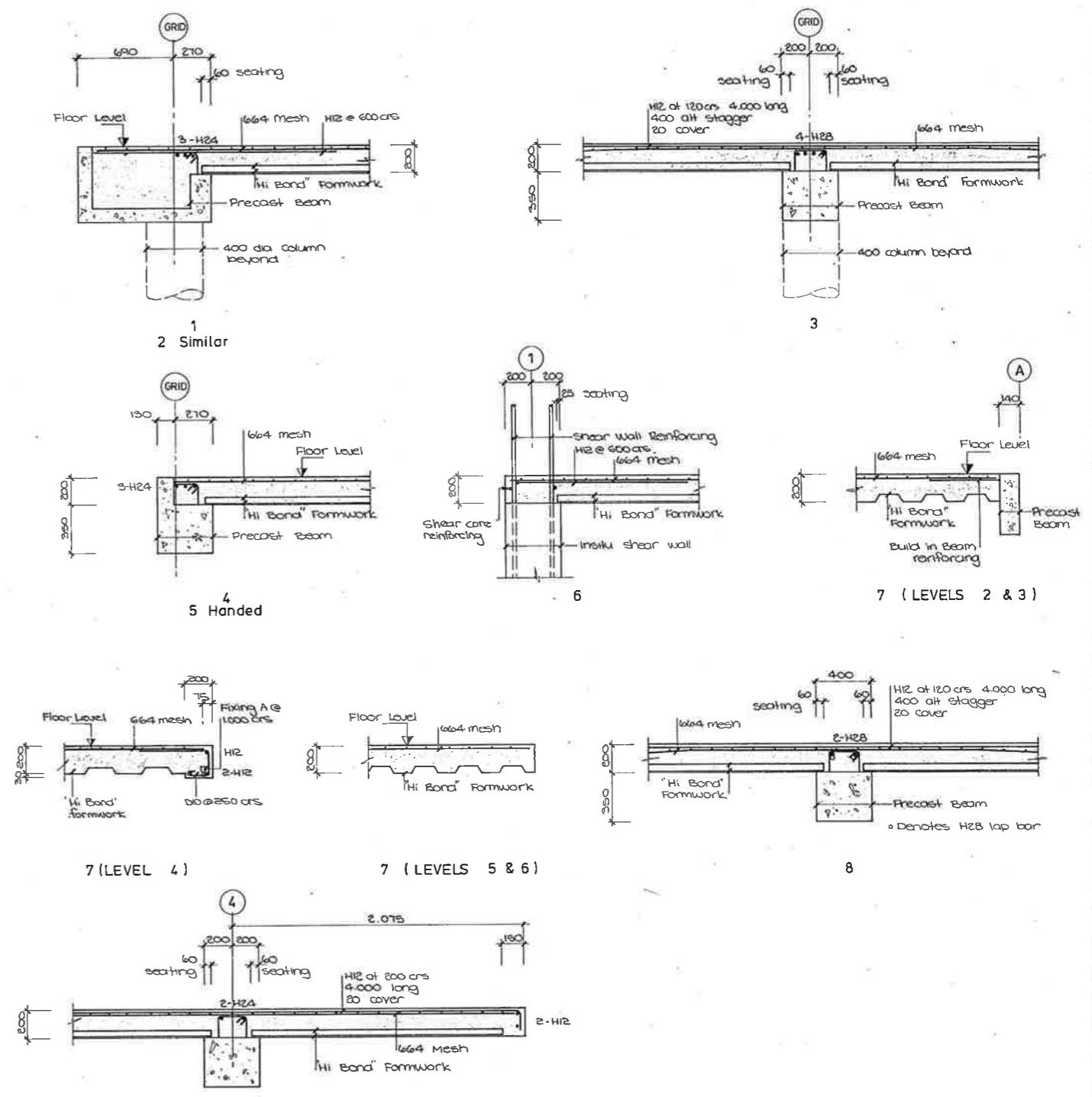
CHRISTCHURCH CITY COUNCIL  
 Approved Subject to the By-Laws  
 30 SEP 1986  
 [Signature]  
 For Engineer

Copyright Alan M. Reay Consulting Engineer





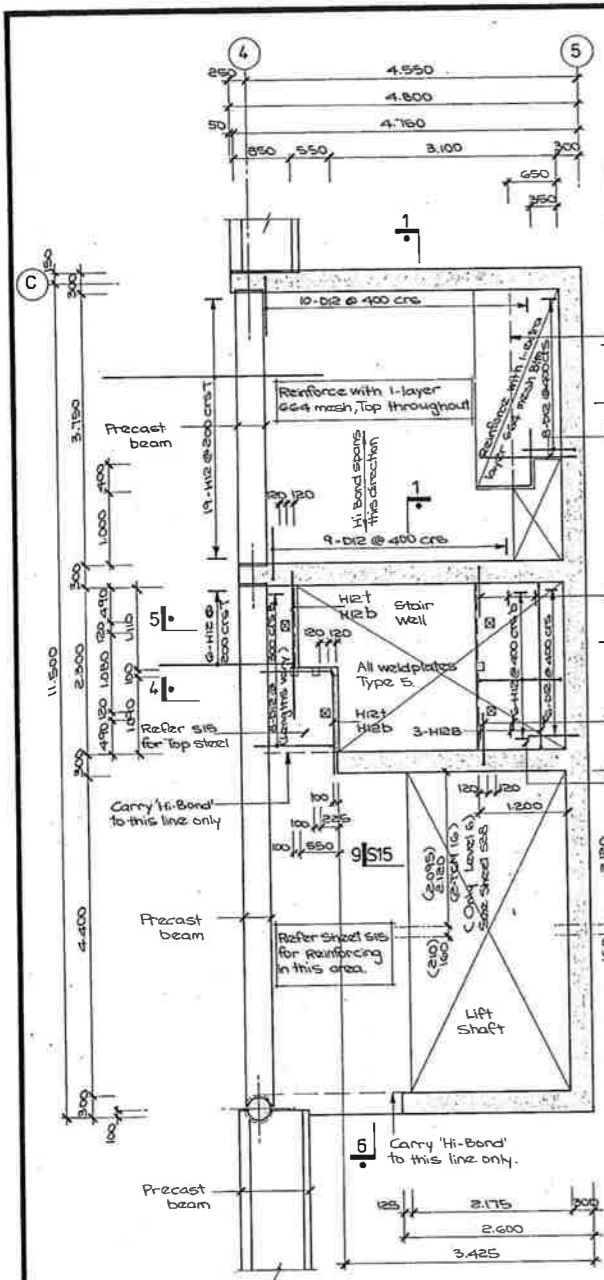
LEVELS 2, 3, 4, 5 & 6



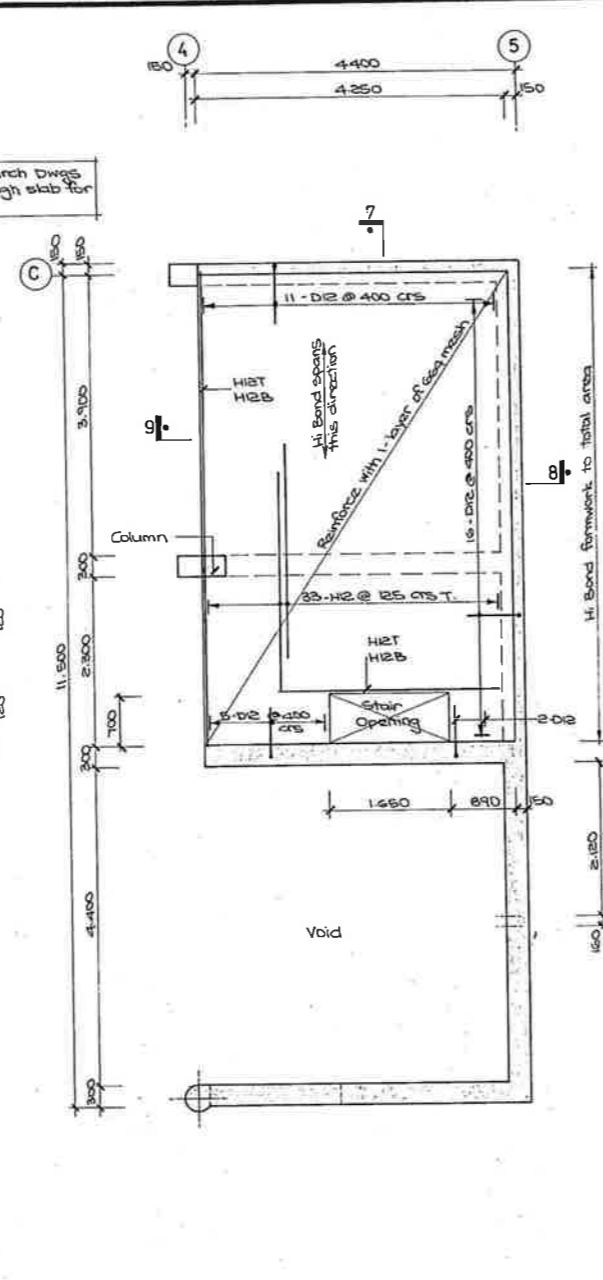
- NOTES:
- Contractor to verify all dimensions on site before commencing work.
  - Reinforce slab with 1 layer of 664 mesh throughout, 20 mm top cover.
  - Refer sheet S16 for Shear Core Floor Slab 4 - Stair Landing.
  - T Denotes top bar with 20 mm top cover
  - + Denotes top bar with 32 mm top cover
  - B Denotes bottom bar with 30 mm bottom cover
  - b Denotes bottom bar with 42 mm bottom cover
  - Refer to Spandrel sheet for location of Fixing B's to be cast into topping slab to accept Spandrel panels.
  - 664 mesh should be dropped down to 20mm above 'Hi Bond' formwork at mid span.

CHRISTCHURCH CITY COUNCIL  
 Approved Subject to the By-Laws  
 20 AUG 1986  
 For Engineer

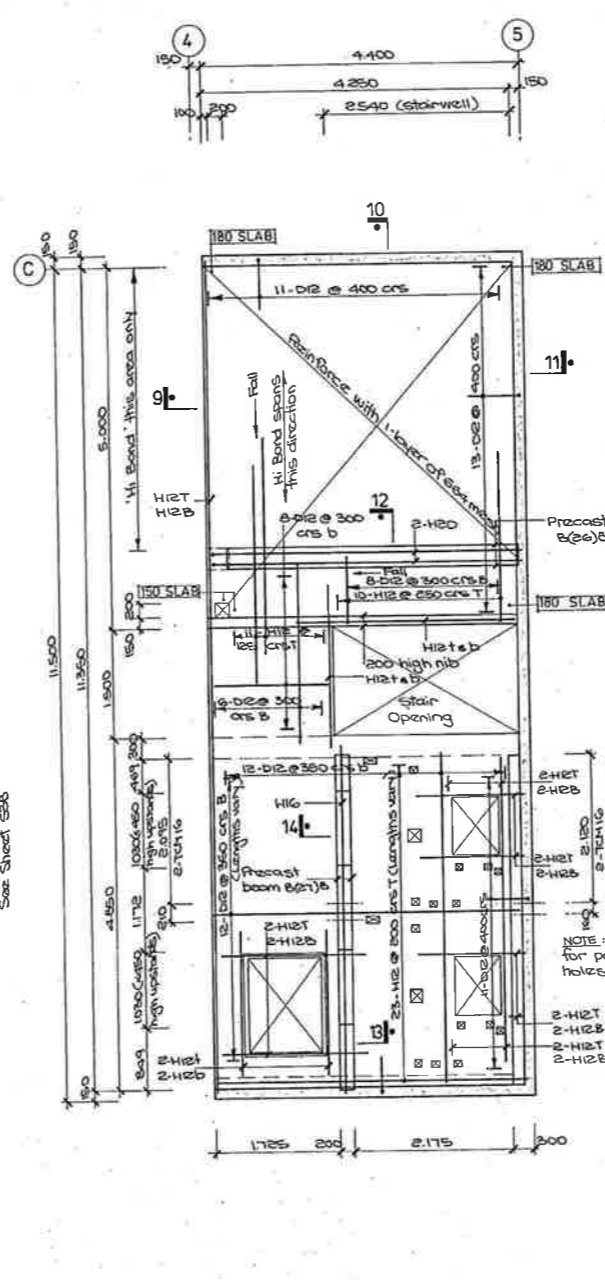




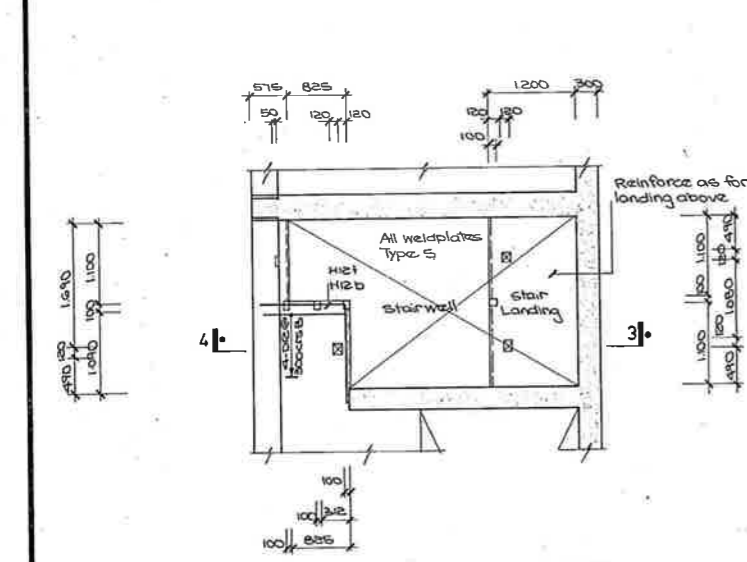
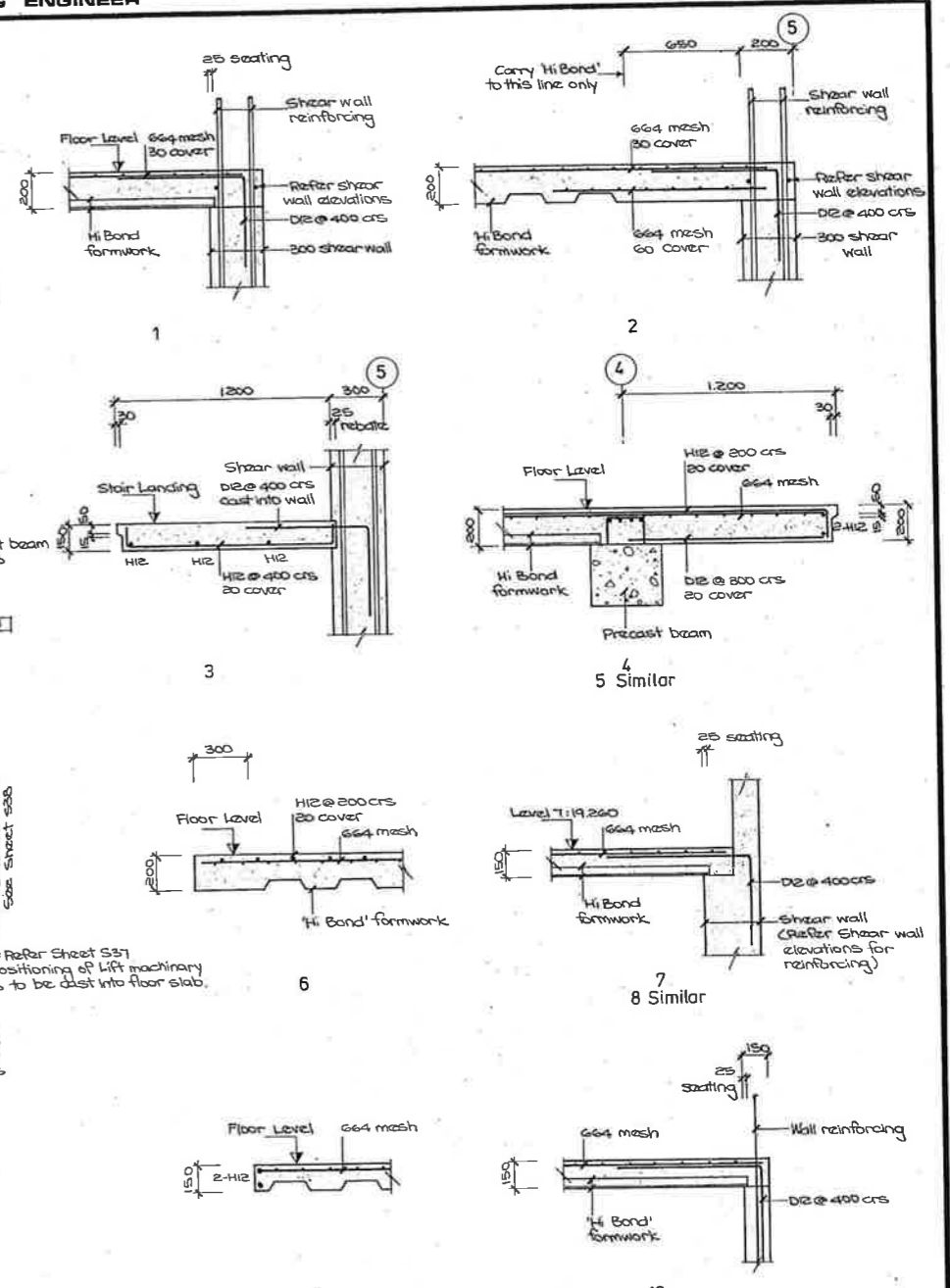
SHEAR CORE, LEVELS 2,3,4,5 & 6



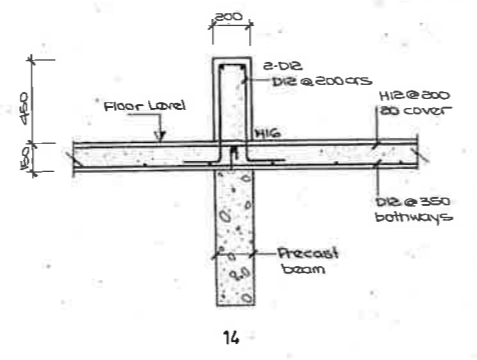
LEVEL 7



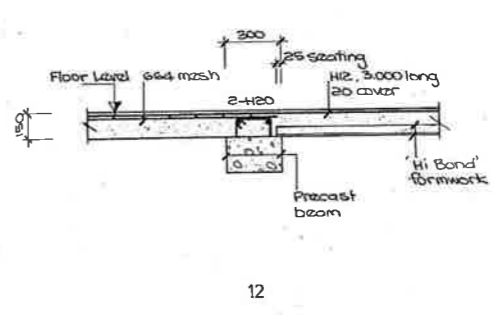
LEVEL 8



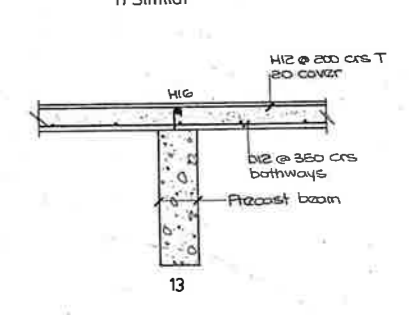
STAIRWELL LEVEL 2 ONLY



14



12



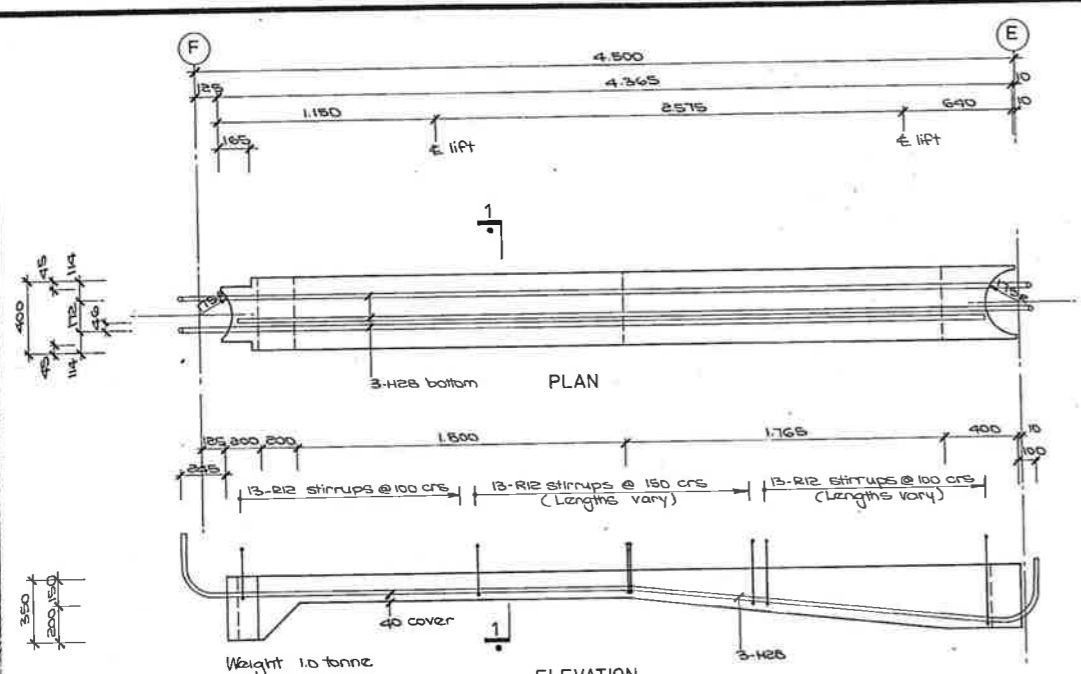
13

CHRISTCHURCH CITY COUNCIL  
 Approved Subject to the By-Laws  
 30 SEP 1985  
 For Engineer

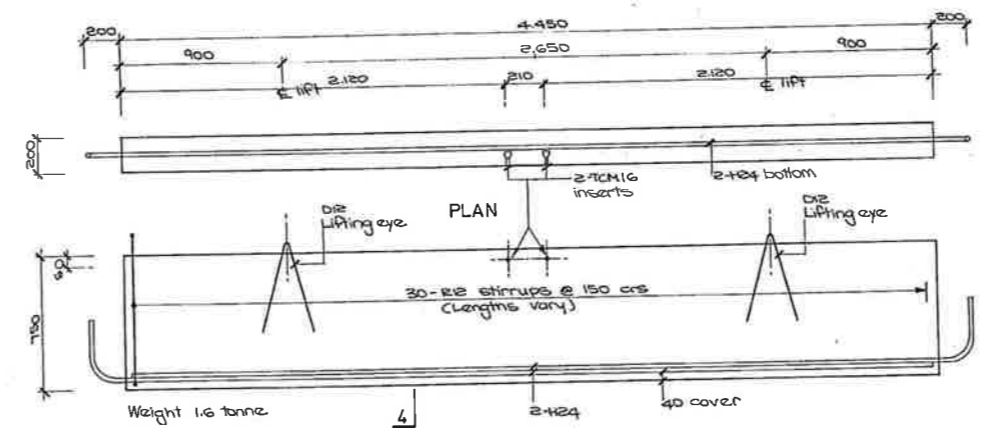
Copyright Alan M. Reay Consulting Engineer

|                    |          |              |       |      |
|--------------------|----------|--------------|-------|------|
| APPROVED           | DATE     | SCALE        | SHEET | FILE |
| <i>[Signature]</i> | AUG 1985 | 1:50<br>1:20 | S16   | 2503 |

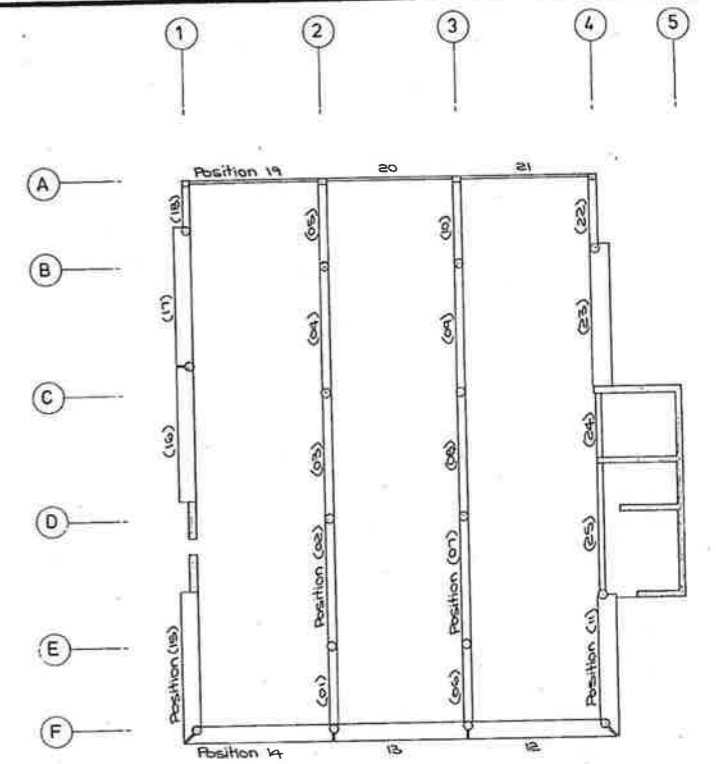




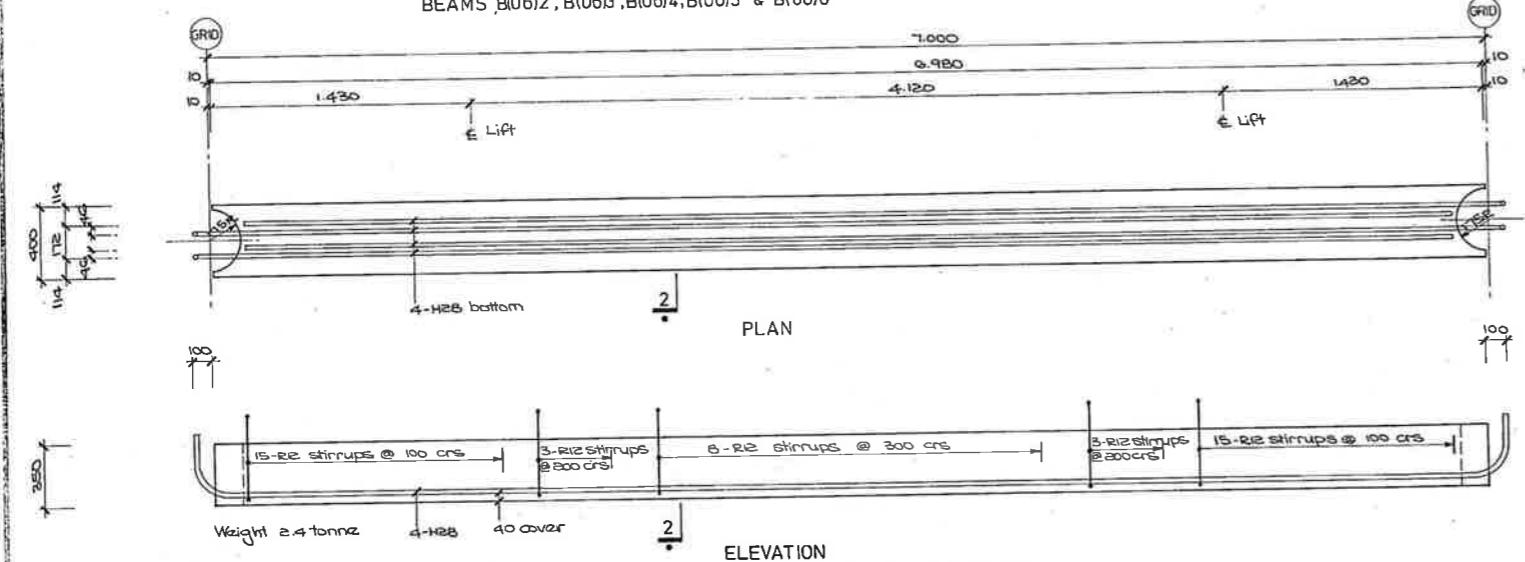
ELEVATION  
BEAMS B(01)2, B(01)3, B(01)4, B(01)5 & B(01)6  
BEAMS B(06)2, B(06)3, B(06)4, B(06)5 & B(06)6



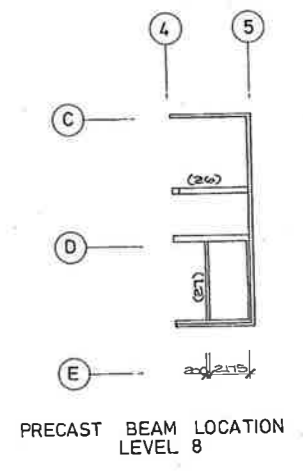
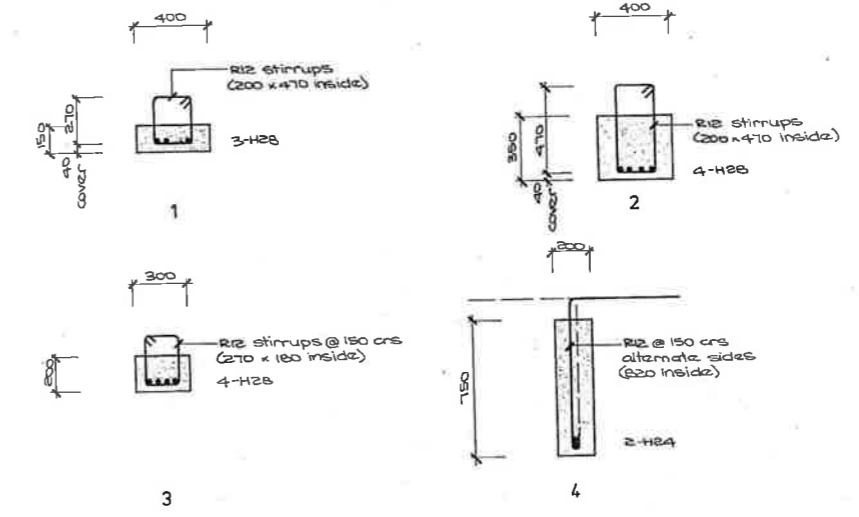
ELEVATION  
BEAM B(27)8



PRECAST BEAM LOCATION PLAN  
LEVELS 2-6

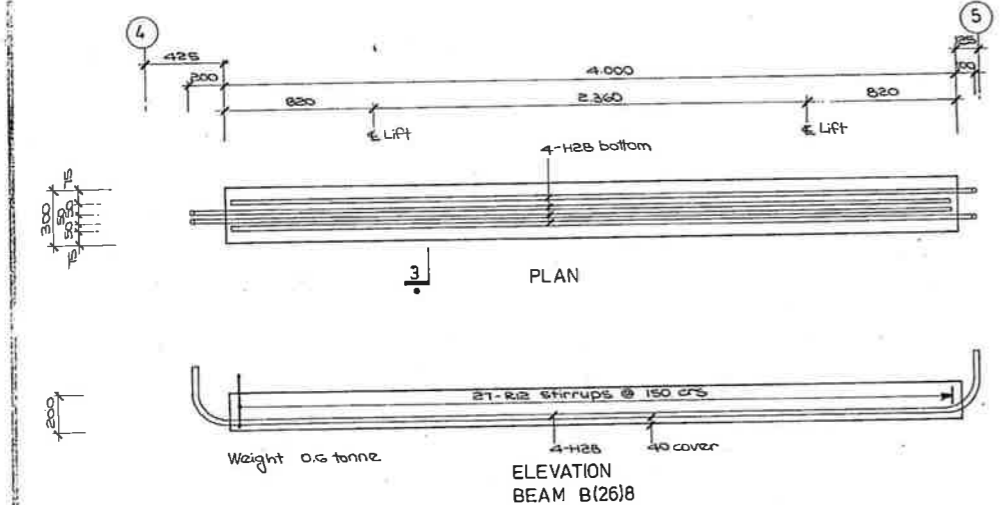


ELEVATION  
BEAMS B(02)2, B(02)3, B(02)4, B(02)5 & B(02)6  
BEAMS B(03)2, B(03)3, B(03)4, B(03)5 & B(03)6  
BEAMS B(04)2, B(04)3, B(04)4, B(04)5 & B(04)6  
BEAMS B(07)2, B(07)3, B(07)4, B(07)5 & B(07)6  
BEAMS B(08)2, B(08)3, B(08)4, B(08)5 & B(08)6  
BEAMS B(09)2, B(09)3, B(09)4, B(09)5 & B(09)6



PRECAST BEAM LOCATION  
LEVEL 8

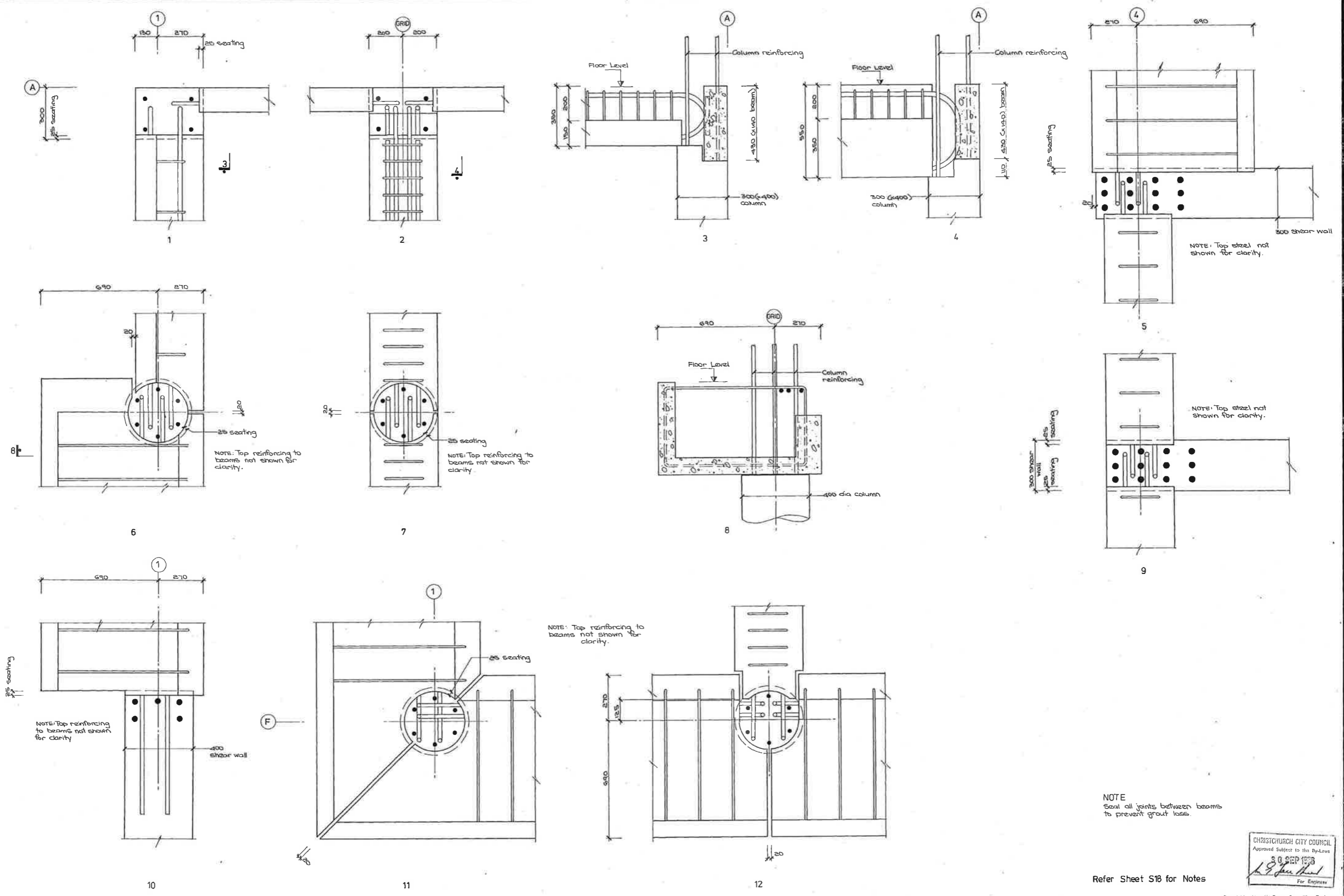
NOTES  
 • Contractor to verify all dimensions on site before commencing works  
 • Areas indicated thus should have the surfaces roughened before the beams are erected. A suggested method would be to apply a retardant lability to the inside of the boxing before pouring, & washing down after stripping.



ELEVATION  
BEAM B(26)8

| FLOOR LEVEL | BEAM POSITION (Refer Location Plan above.) |        |        |        |        |        |        |        |        |        |        |        |        |        |        |        |        |        |        |        |        |        |        |        |        |        |        |
|-------------|--|--------|--------|--------|--------|--------|--------|--------|--------|--------|--------|--------|--------|--------|--------|--------|--------|--------|--------|--------|--------|--------|--------|--------|--------|--------|--------|
|             | (01)                                       | (02)   | (03)   | (04)   | (05)   | (06)   | (07)   | (08)   | (09)   | (10)   | (11)   | (12)   | (13)   | (14)   | (15)   | (16)   | (17)   | (18)   | (19)   | (20)   | (21)   | (22)   | (23)   | (24)   | (25)   | (26)   | (27)   |
| LEVEL 1     |  |        |        |        |        |        |        |        |        |        |        |        |        |        |        |        |        |        |        |        |        |        |        |        |        |        |        |
| LEVEL 2     | B(01)2                                     | B(01)3 | B(01)4 | B(01)5 | B(01)6 | B(06)2 | B(06)3 | B(06)4 | B(06)5 | B(06)6 | B(02)2 | B(02)3 | B(02)4 | B(02)5 | B(02)6 | B(03)2 | B(03)3 | B(03)4 | B(03)5 | B(03)6 | B(04)2 | B(04)3 | B(04)4 | B(04)5 | B(04)6 | B(07)2 | B(07)3 |
| LEVEL 3     | B(01)2                                     | B(01)3 | B(01)4 | B(01)5 | B(01)6 | B(06)2 | B(06)3 | B(06)4 | B(06)5 | B(06)6 | B(02)2 | B(02)3 | B(02)4 | B(02)5 | B(02)6 | B(03)2 | B(03)3 | B(03)4 | B(03)5 | B(03)6 | B(04)2 | B(04)3 | B(04)4 | B(04)5 | B(04)6 | B(07)2 | B(07)3 |
| LEVEL 4     | B(01)2                                     | B(01)3 | B(01)4 | B(01)5 | B(01)6 | B(06)2 | B(06)3 | B(06)4 | B(06)5 | B(06)6 | B(02)2 | B(02)3 | B(02)4 | B(02)5 | B(02)6 | B(03)2 | B(03)3 | B(03)4 | B(03)5 | B(03)6 | B(04)2 | B(04)3 | B(04)4 | B(04)5 | B(04)6 | B(07)2 | B(07)3 |
| LEVEL 5     | B(01)2                                     | B(01)3 | B(01)4 | B(01)5 | B(01)6 | B(06)2 | B(06)3 | B(06)4 | B(06)5 | B(06)6 | B(02)2 | B(02)3 | B(02)4 | B(02)5 | B(02)6 | B(03)2 | B(03)3 | B(03)4 | B(03)5 | B(03)6 | B(04)2 | B(04)3 | B(04)4 | B(04)5 | B(04)6 | B(07)2 | B(07)3 |
| LEVEL 6     | B(01)2                                     | B(01)3 | B(01)4 | B(01)5 | B(01)6 | B(06)2 | B(06)3 | B(06)4 | B(06)5 | B(06)6 | B(02)2 | B(02)3 | B(02)4 | B(02)5 | B(02)6 | B(03)2 | B(03)3 | B(03)4 | B(03)5 | B(03)6 | B(04)2 | B(04)3 | B(04)4 | B(04)5 | B(04)6 | B(07)2 | B(07)3 |
| LEVEL 7     |  |        |        |        |        |        |        |        |        |        |        |        |        |        |        |        |        |        |        |        |        |        |        |        |        |        |        |
| LEVEL 8     |  |        |        |        |        |        |        |        |        |        |        |        |        |        |        |        |        |        |        |        |        |        |        |        |        | B(26)8 | B(27)8 |

CHRISTCHURCH CITY COUNCIL  
 Approved on behalf of the City Engineer  
 [Signature]



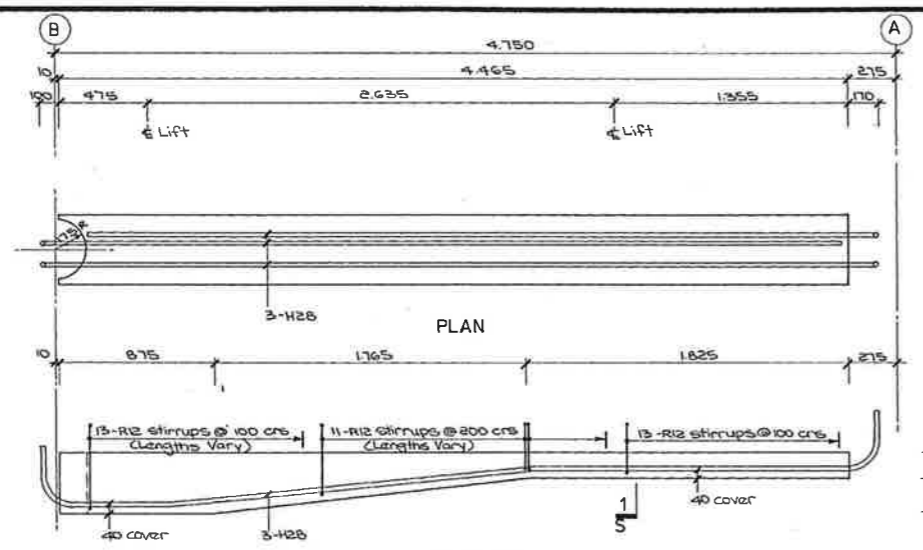
NOTE  
Seal all joints between beams  
to prevent grout loss.

CHRISTCHURCH CITY COUNCIL  
Approved Subject to the By-Laws  
30 SEP 1986  
L. J. [Signature]  
For Engineer

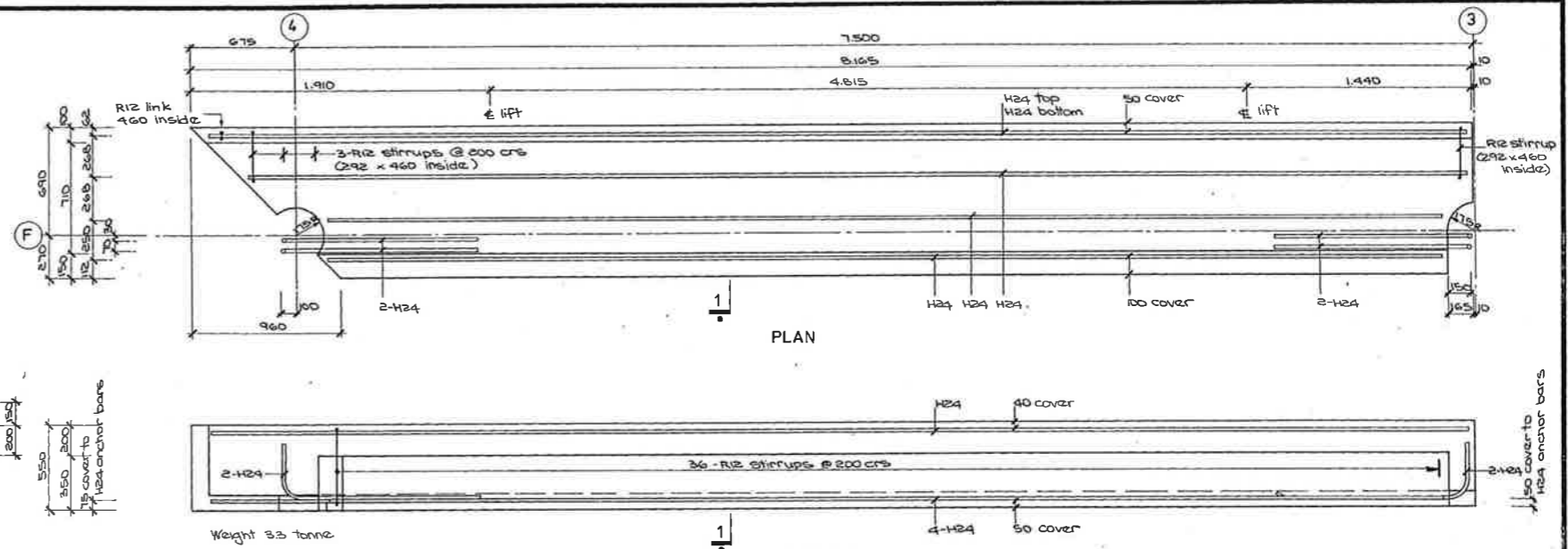
Refer Sheet S18 for Notes

Copyright Alan M. Reay Consulting Engineer

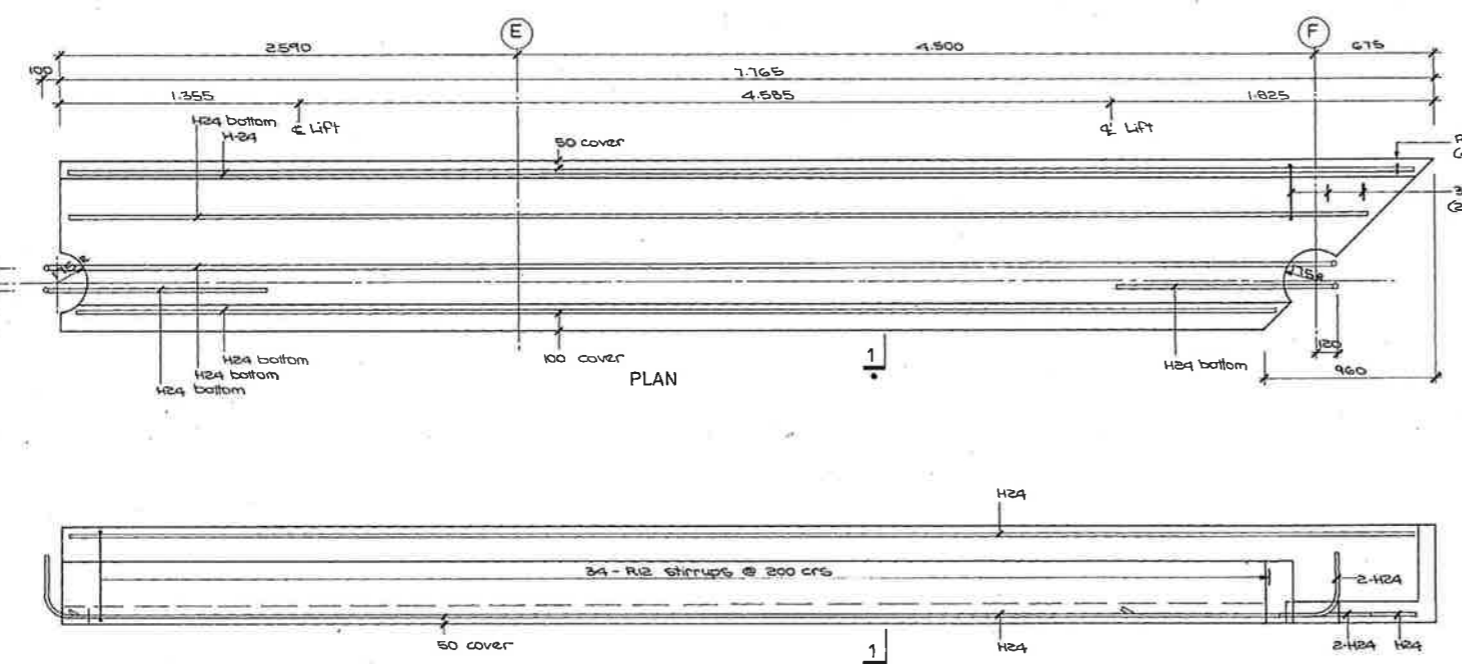
| APPROVED    | DATE     | SCALES | SHEET                | FILE     |
|-------------|----------|--------|----------------------|----------|
| [Signature] | AUG 1986 | 1:10   | BEAM / COLUMN JOINTS | S19 2503 |



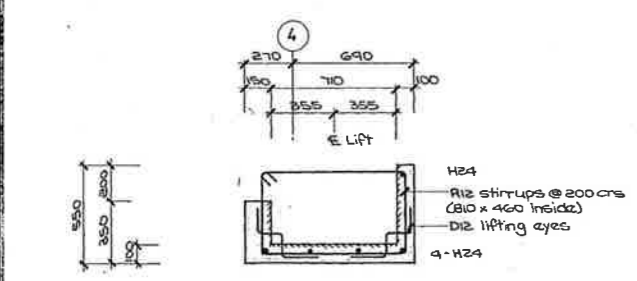
Weight 10 tonnes  
 BEAMS B(05)2, B(05)3, B(05)4, B(05)5 & B(05)6  
 BEAMS B(10)2, B(10)3, B(10)4, B(10)6 & B(10)6



Weight 2.3 tonnes  
 BEAMS B(12)2, B(12)3, B(12)4, B(12)5 & B(12)6  
 B(14)3, B(14)4, B(14)5 & B(14)6 Handed



Weight 3.2 tonnes  
 BEAMS B(11)2, B(11)3, B(11)4, B(11)5 & B(11)6

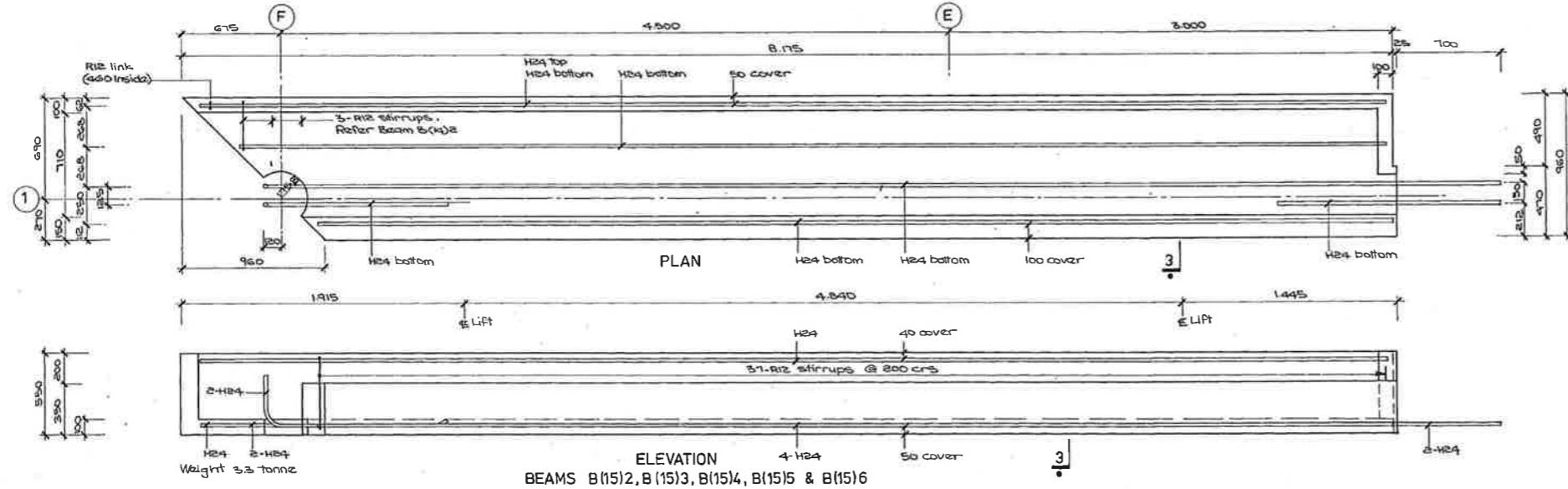
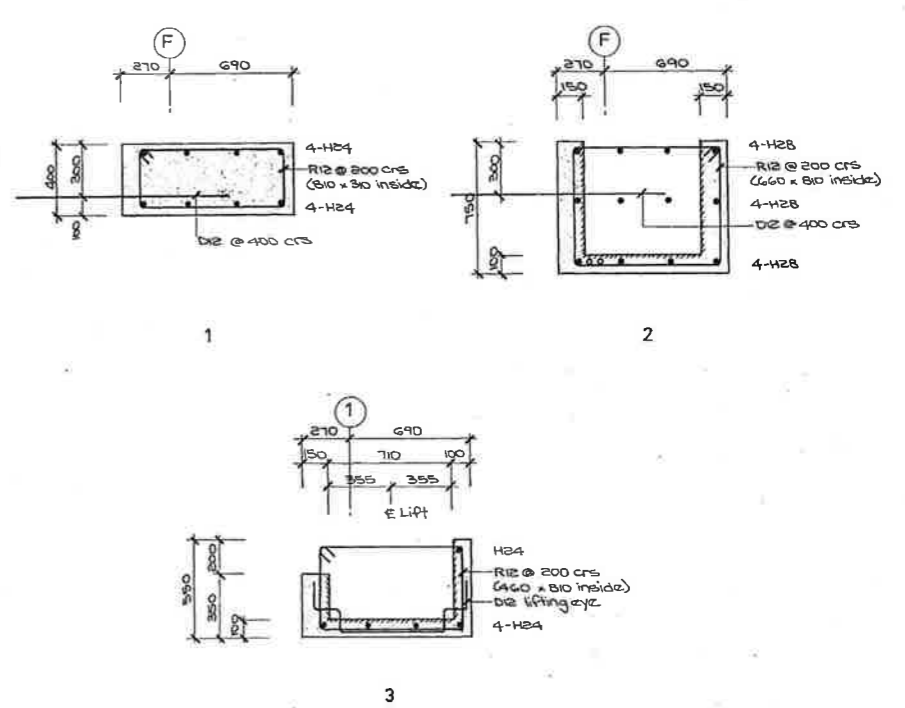
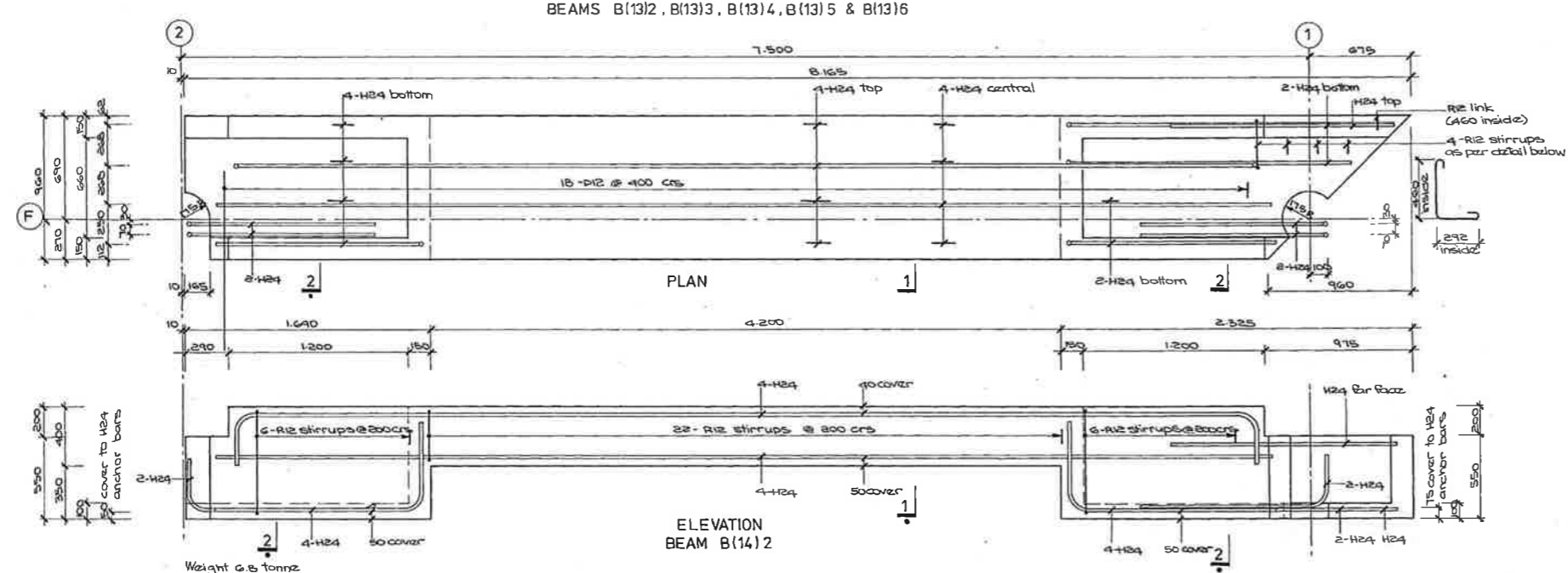
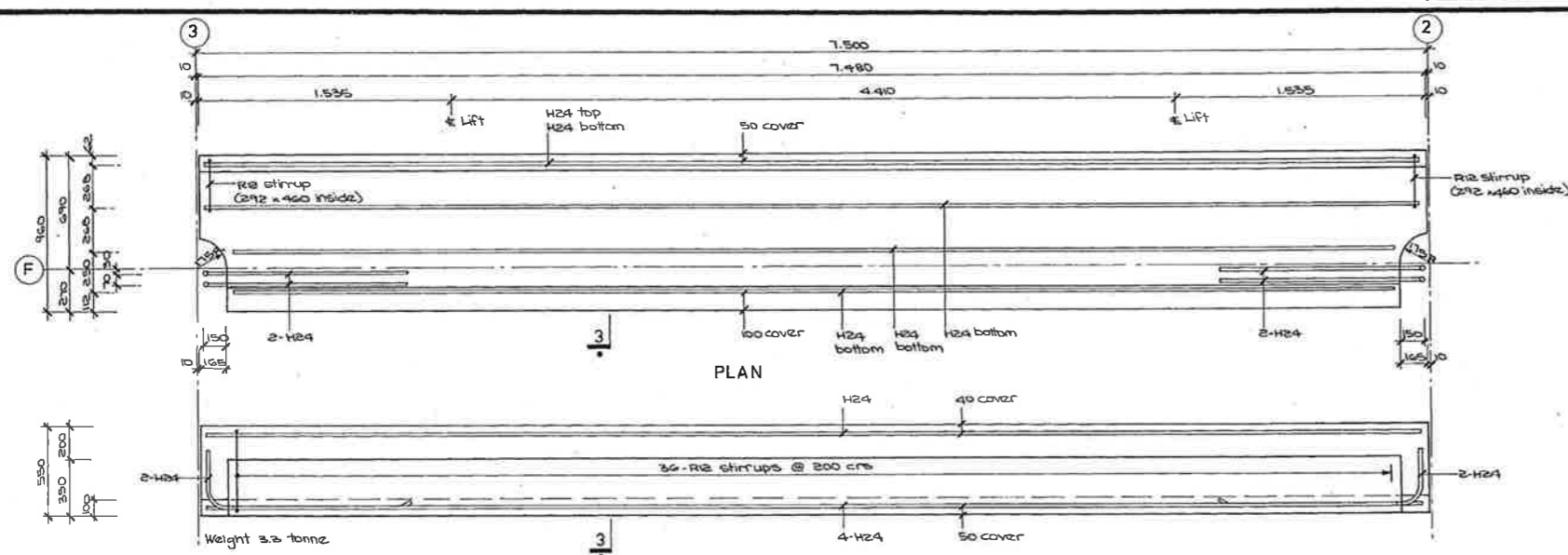


CHRISTCHURCH CITY COUNCIL  
 Approved Subject to the By-Laws  
 30 SEP 1986  
 [Signature]  
 For Engineer

Refer Sheet S18 for Notes.

Copyright Alan M. Reay Consulting Engineer

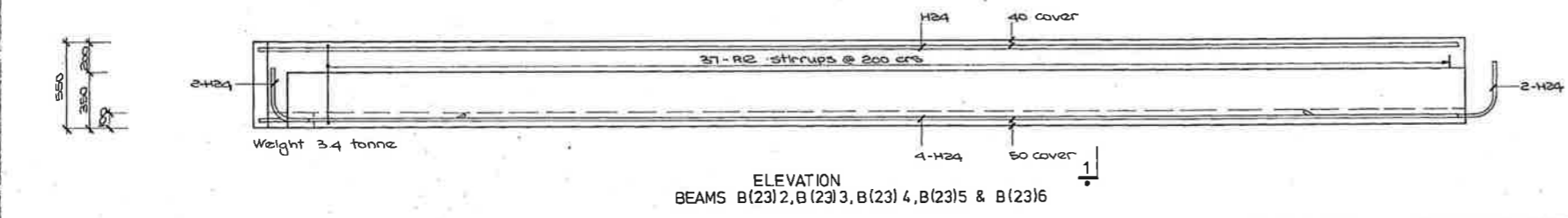
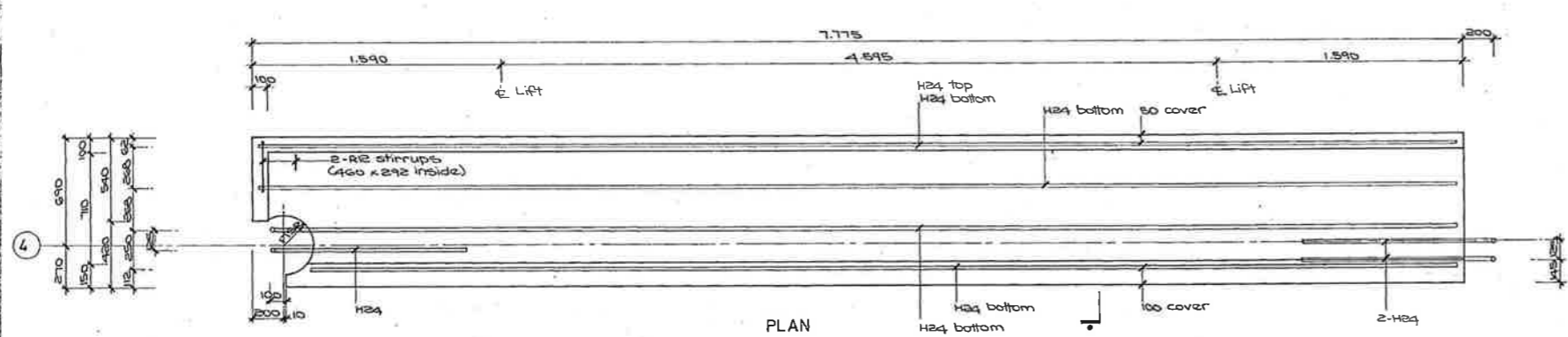
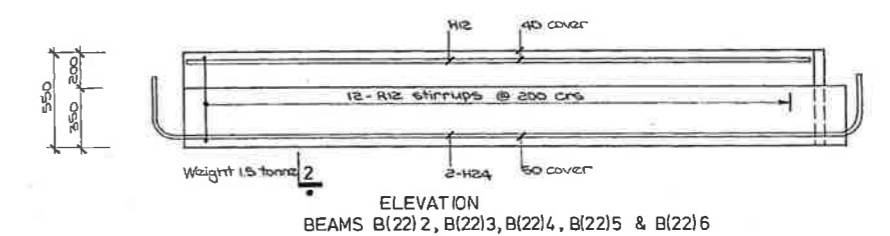
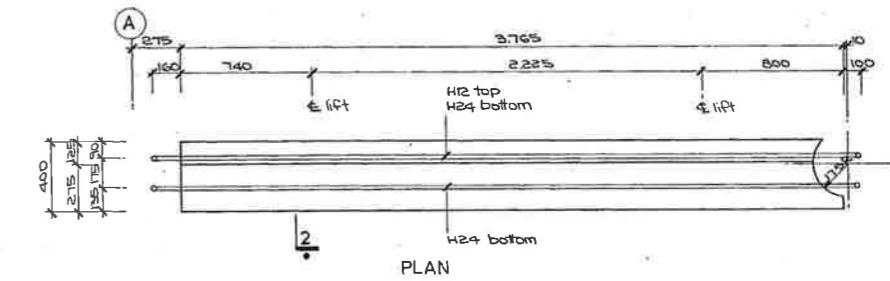
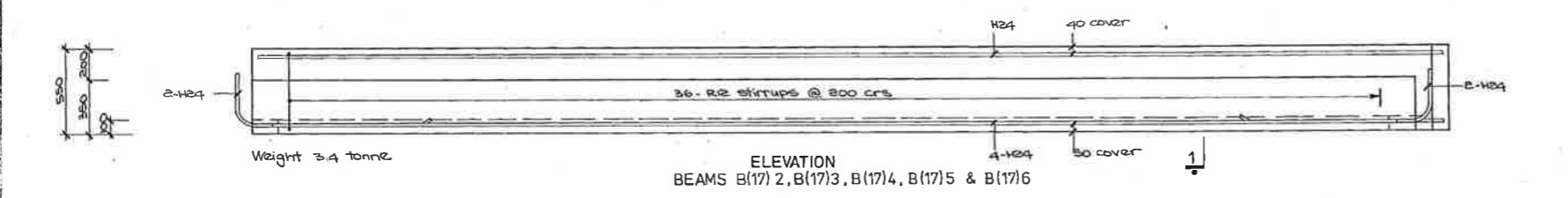
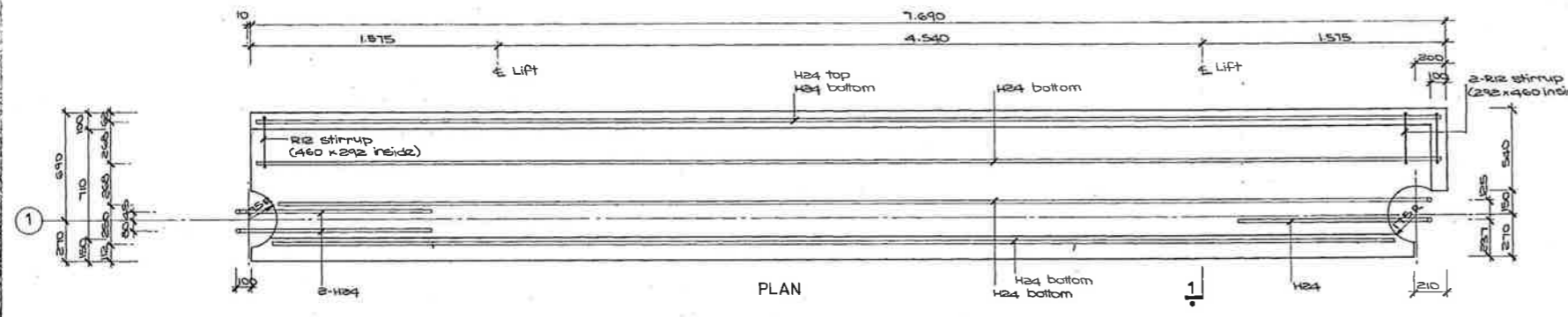
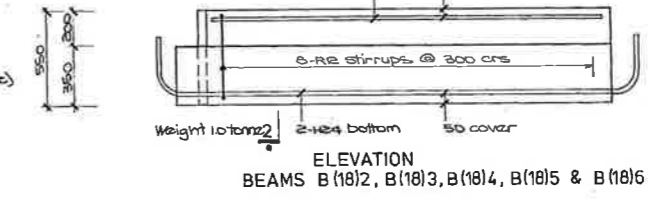
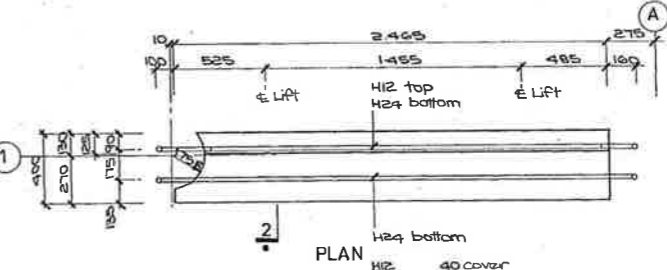
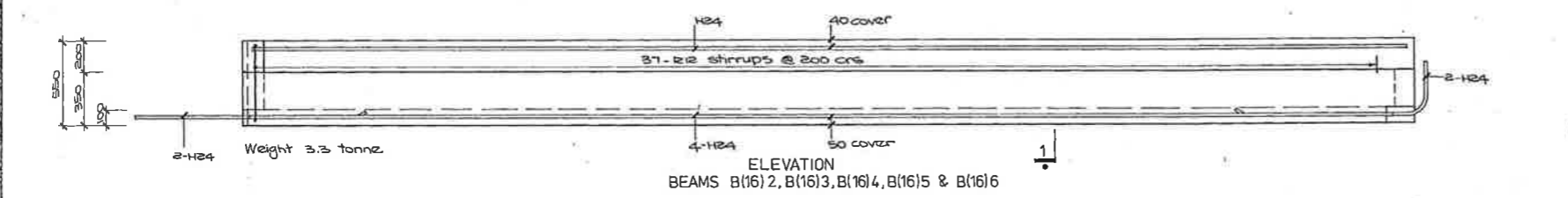
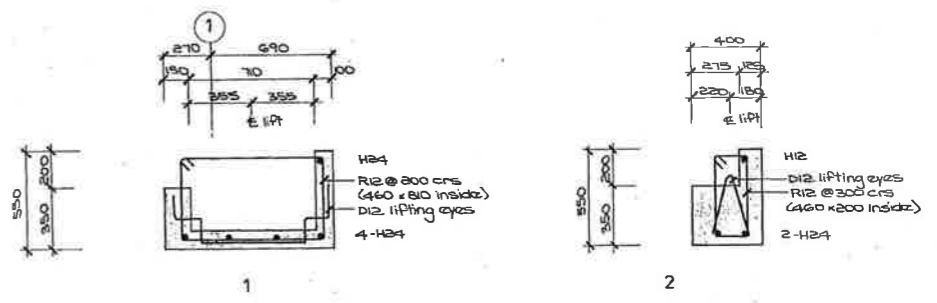
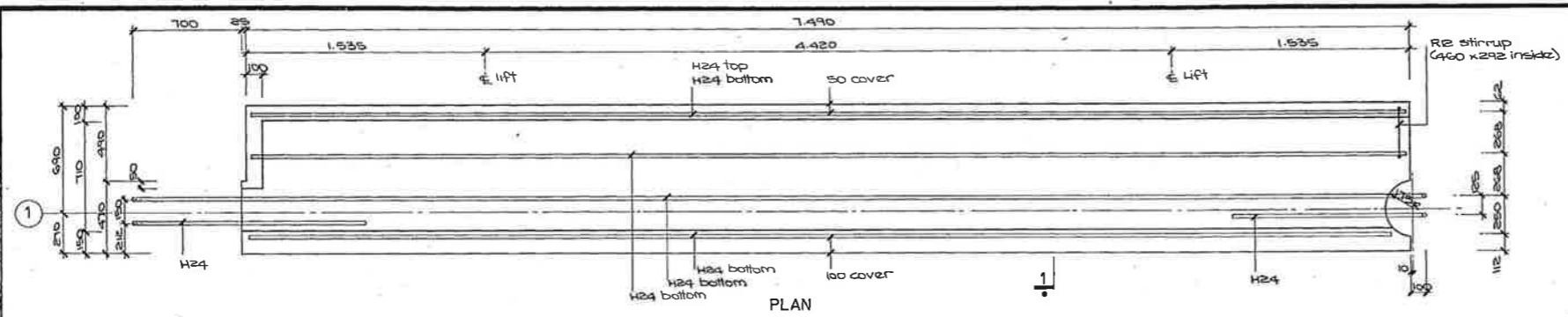
|             |          |       |                     |          |
|-------------|----------|-------|---------------------|----------|
| APPROVED    | DATE     | SCALE | SHEET               | FILE     |
| [Signature] | AUG 1986 | 1:20  | PRECAST FLOOR BEAMS | S20 2503 |



CHRISTCHURCH CITY COUNCIL  
Approved Subject to the By-Laws  
30 SEP 1986  
L. S. [Signature]  
For Engineer

Refer Sheet S18 for Notes  
Copyright Alan M. Reay Consulting Engineer

| APPROVED    | DATE     | SCALE | SHEET | FILE |
|-------------|----------|-------|-------|------|
| [Signature] | AUG 1986 | 1:20  | S21   | 2503 |

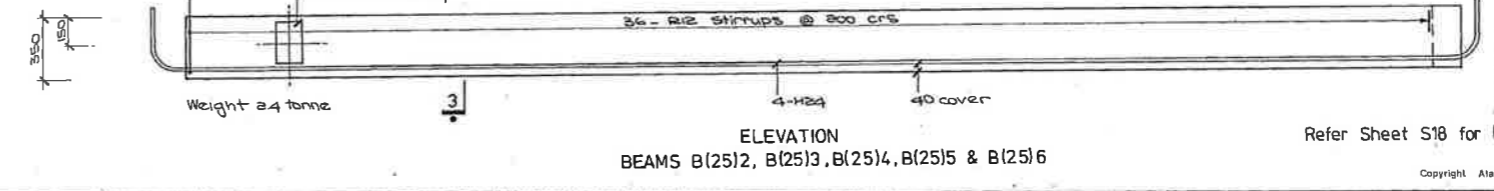
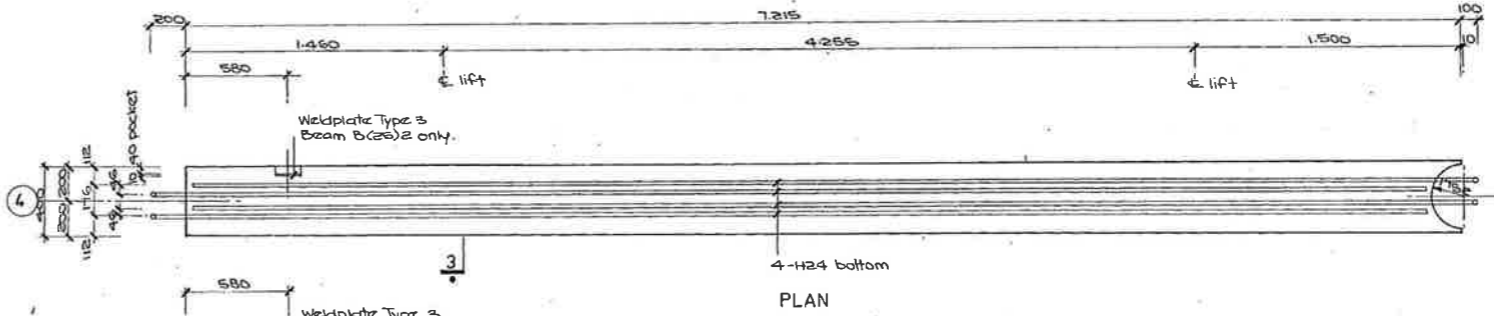
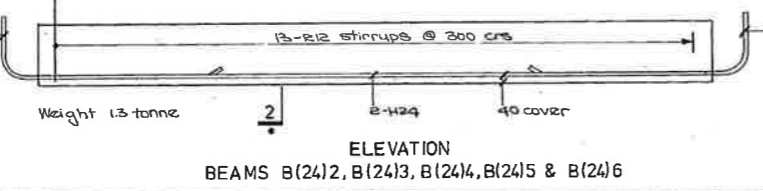
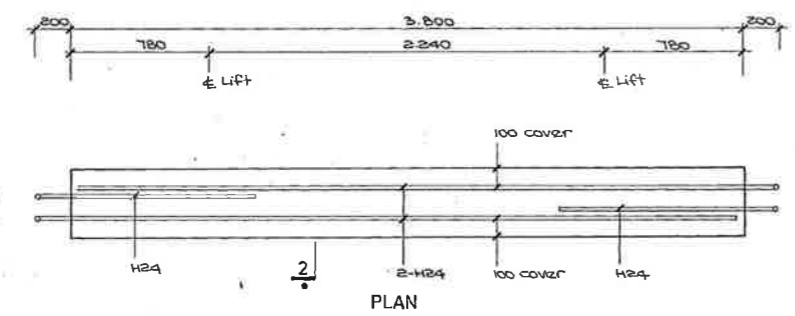
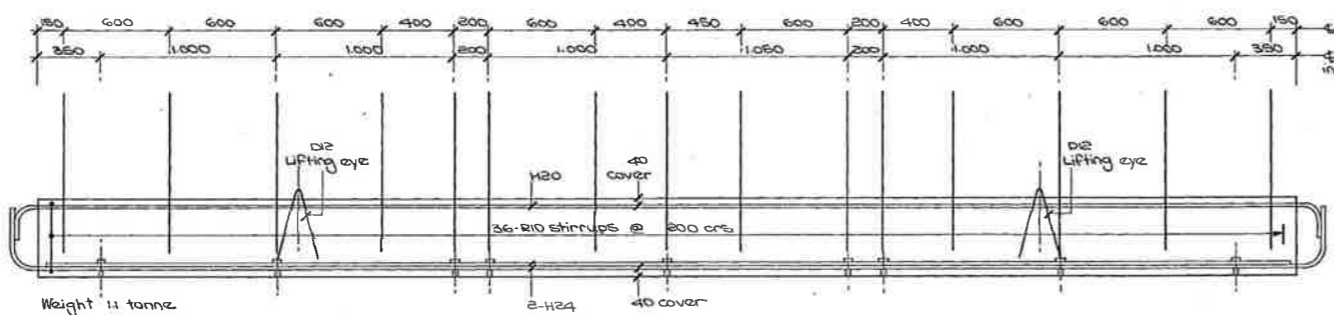
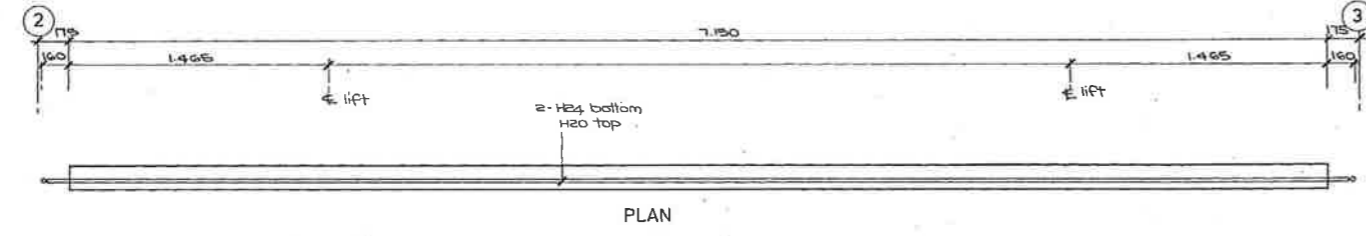
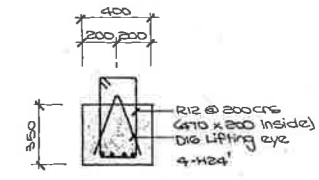
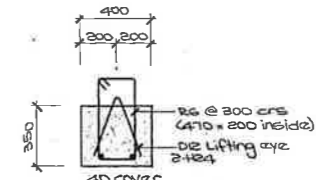
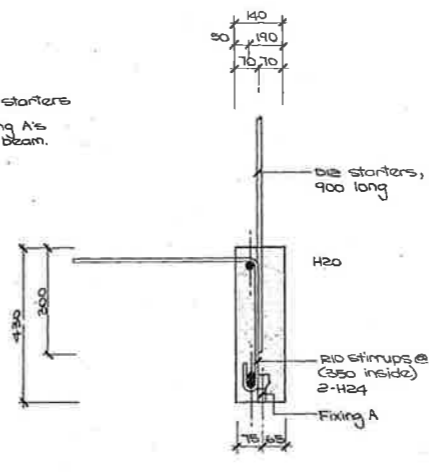
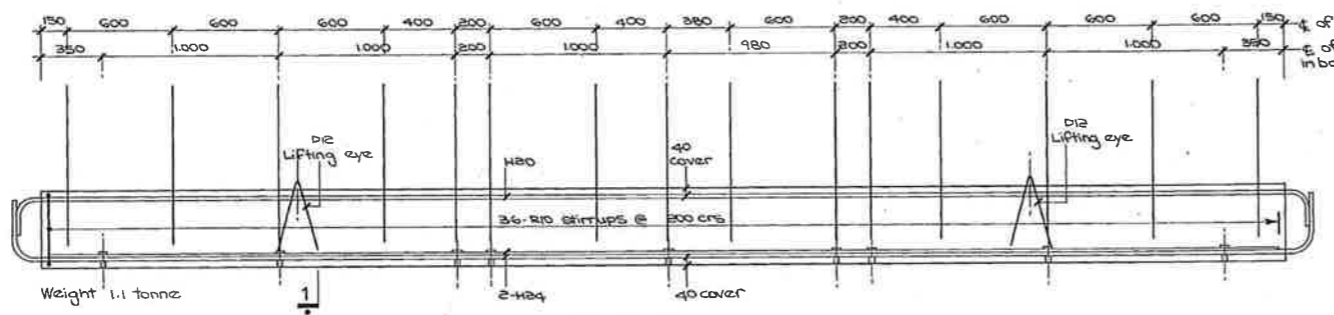
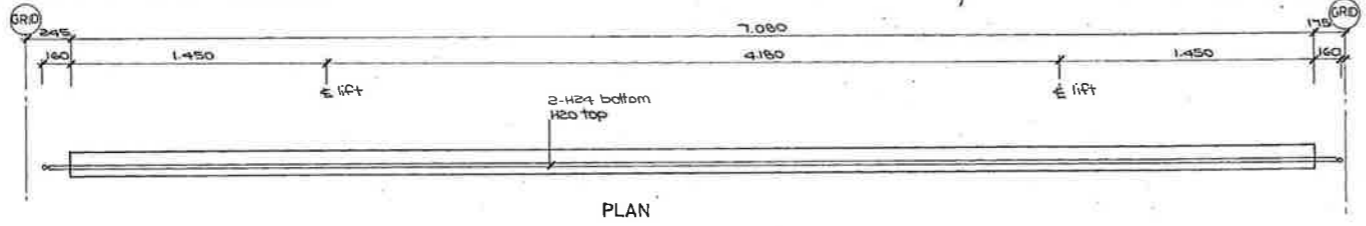


CHRISTCHURCH CITY COUNCIL  
 Approved Subject to the By-Laws  
 30 SEP 1986  
 For Engineer

Refer Sheet S18 for Notes.

Copyright Alan M. Reay Consulting Engineer

|           |          |       |       |      |
|-----------|----------|-------|-------|------|
| APPROVED  | DATE     | SCALE | SHEET | FILE |
| <i>SM</i> | AUG 1986 | 1:20  | S22   | 2503 |



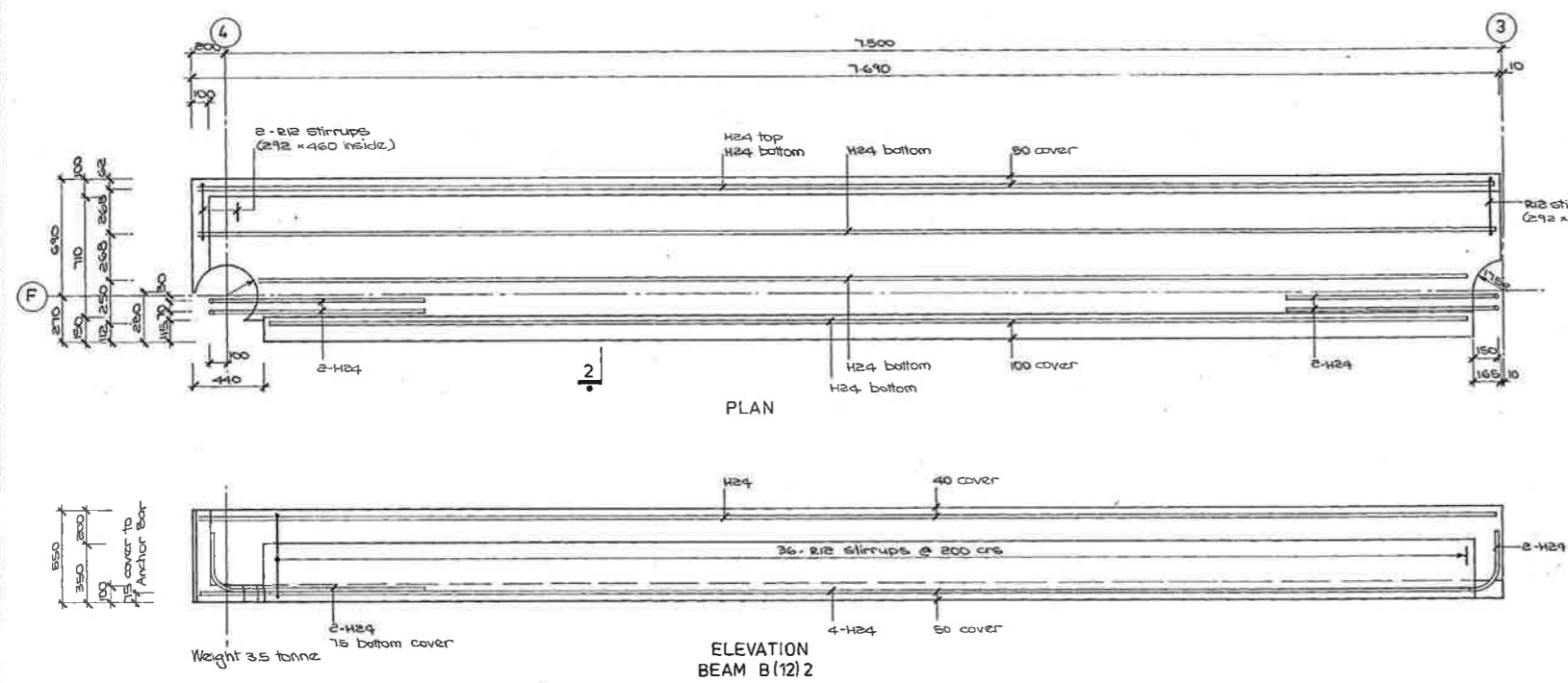
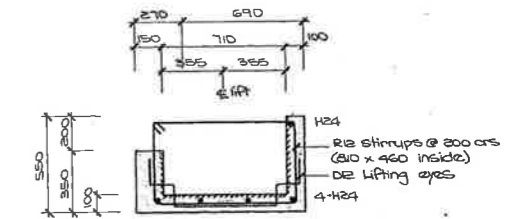
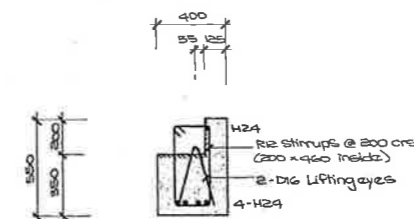
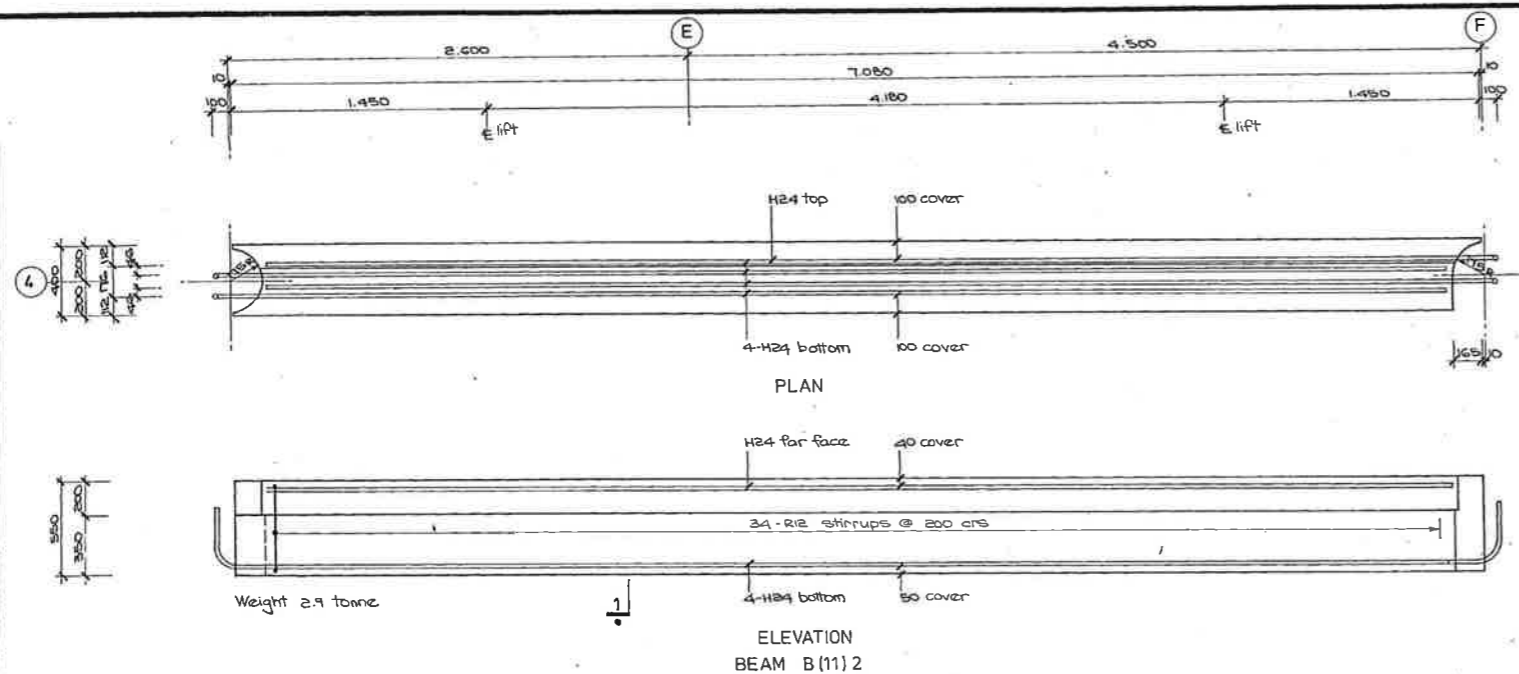
CHRISTCHURCH CITY COUNCIL  
Approved Subject to the By-Laws  
19 SEP 1985  
For Engineer

Refer Sheet S18 for Notes

Copyright Alan M. Reay Consulting Engineer

| APPROVED  | DATE     | SCALE        | SHEET | FILE |
|-----------|----------|--------------|-------|------|
| <i>MR</i> | AUG 1985 | 1:20<br>1:10 | S23   | 2503 |



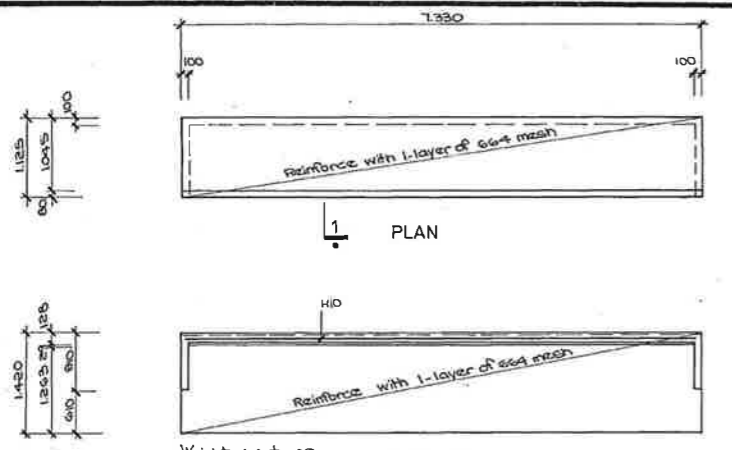


CHRISTCHURCH CITY COUNCIL  
Approved Subject to the By-Laws  
30 SEP 1986  
*Alan M. Reay*  
For Engineer

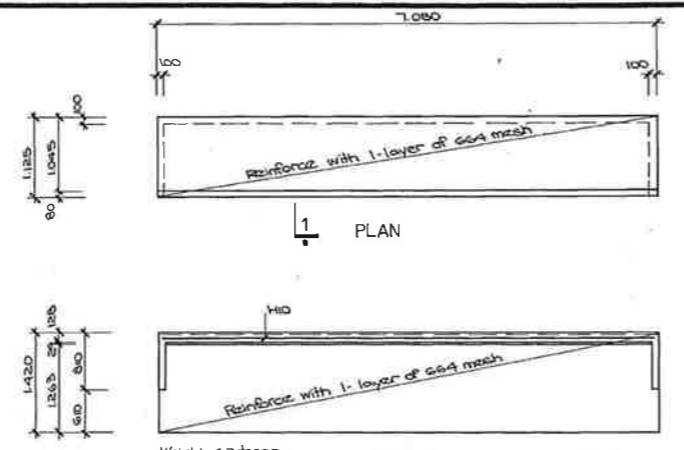
Refer Sheet S18 for Notes

Copyright Alan M. Reay Consulting Engineer

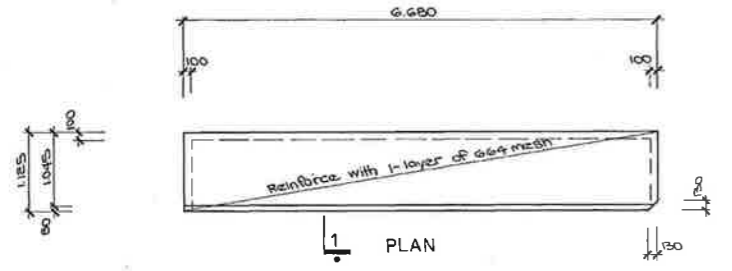
|                        |                  |               |                     |              |              |
|------------------------|------------------|---------------|---------------------|--------------|--------------|
| APPROVED<br><i>AMR</i> | DATE<br>AUG 1986 | SCALE<br>1:20 | PRECAST FLOOR BEAMS | SHEET<br>S24 | FILE<br>2503 |
|------------------------|------------------|---------------|---------------------|--------------|--------------|



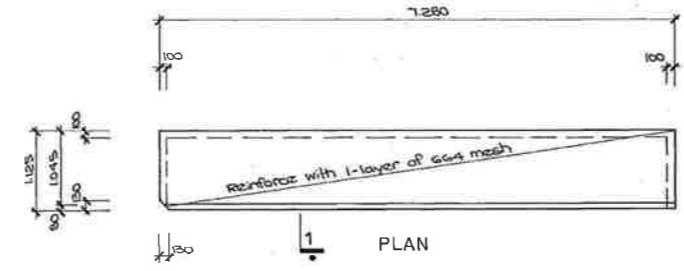
Weight 4.4 tonne  
ELEVATION  
SPANDRELS S(01)2, S(01)3, S(01)4, S(01)5 & S(01)6



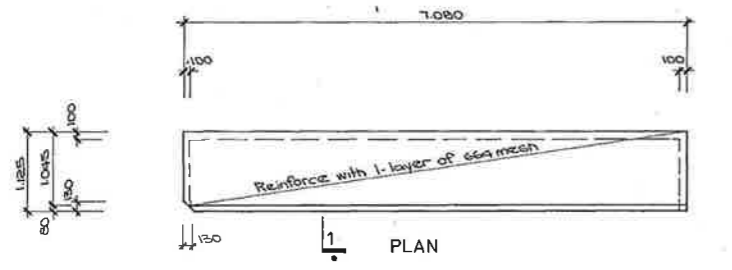
Weight 4.2 tonne  
ELEVATION  
SPANDRELS S(04)2, S(04)3, S(04)4, S(04)5 & S(04)6



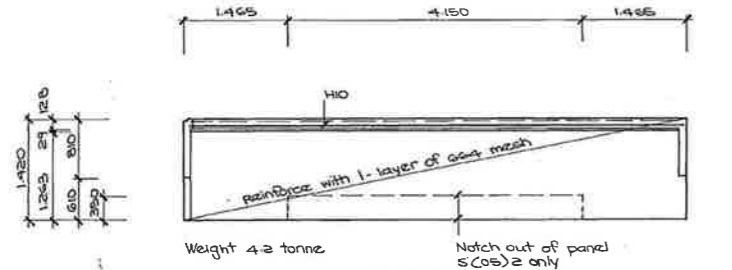
Weight 4.0 tonne  
ELEVATION  
SPANDRELS S(02)3, S(02)4, S(02)5 & S(02)6



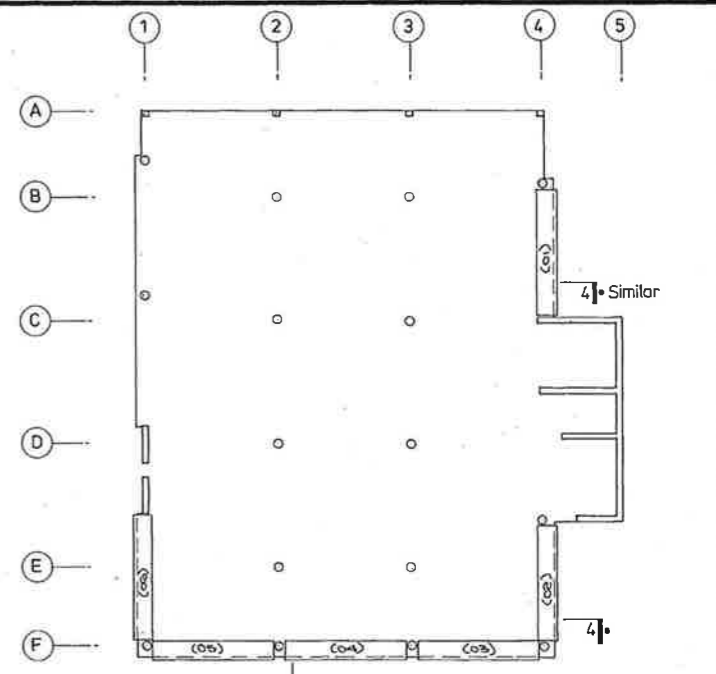
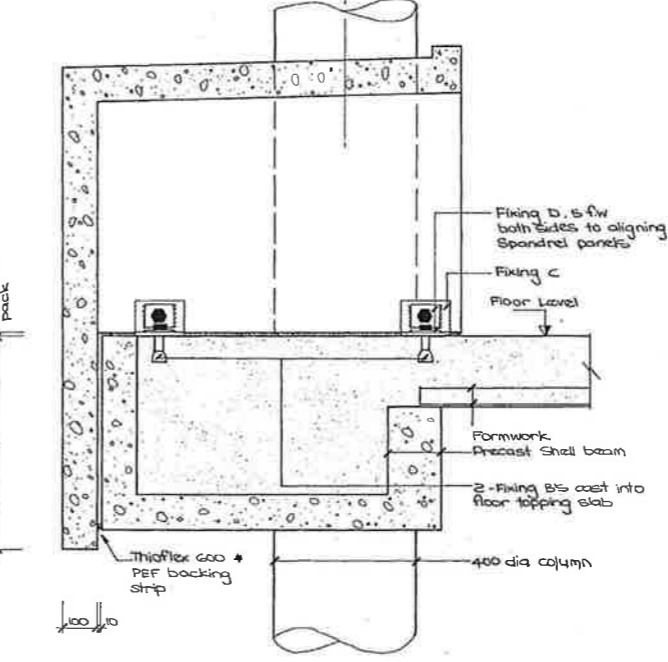
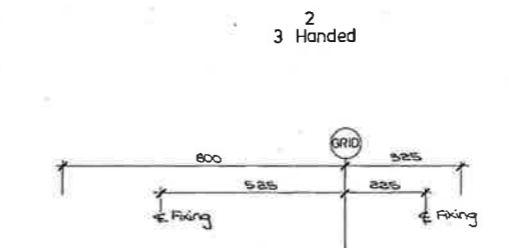
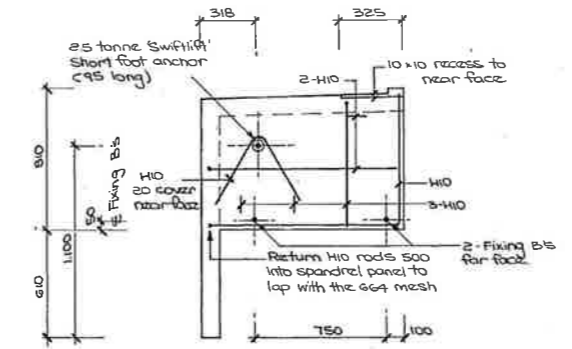
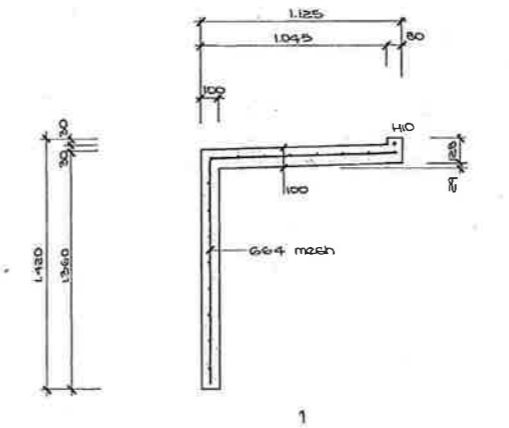
Weight 4.4 tonne  
ELEVATION  
SPANDRELS S(06)2, S(06)3, S(06)4, S(06)5 & S(06)6



Weight 4.2 tonne  
ELEVATION  
SPANDRELS S(03)2, S(03)3, S(03)4, S(03)5 & S(03)6



Weight 4.2 tonne  
ELEVATION  
SPANDRELS S(05)2, S(05)3, S(05)4, S(05)5 & S(05)6 Handed

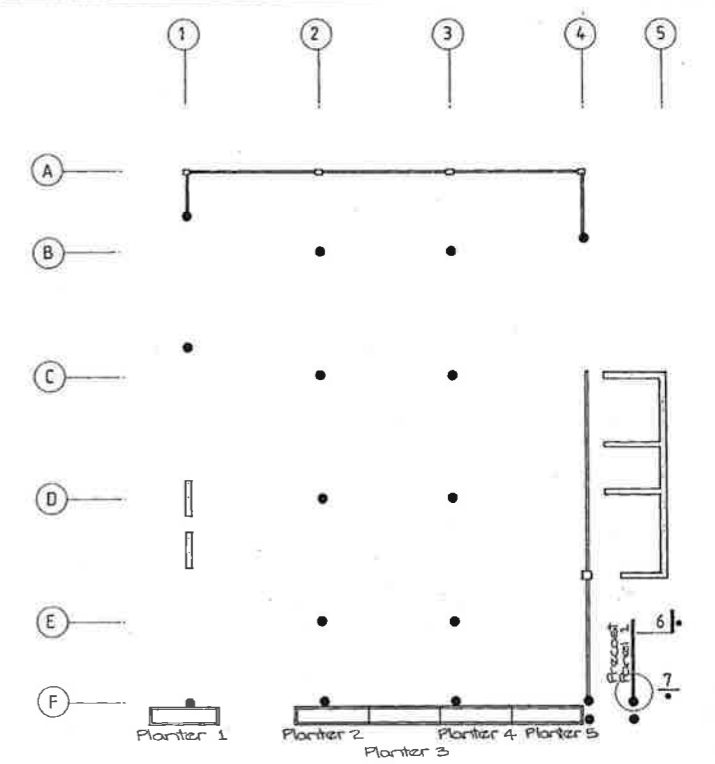
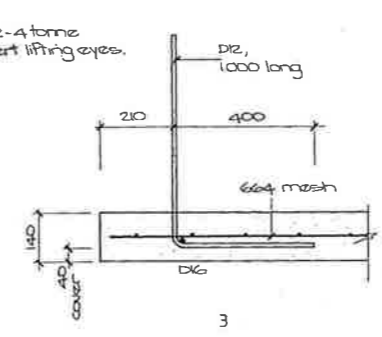
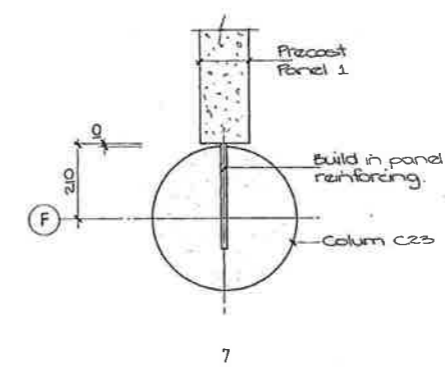
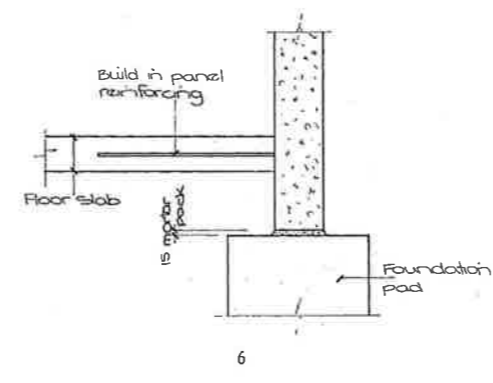
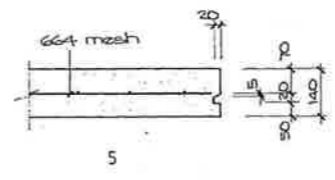
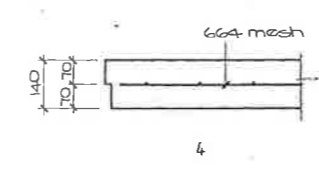
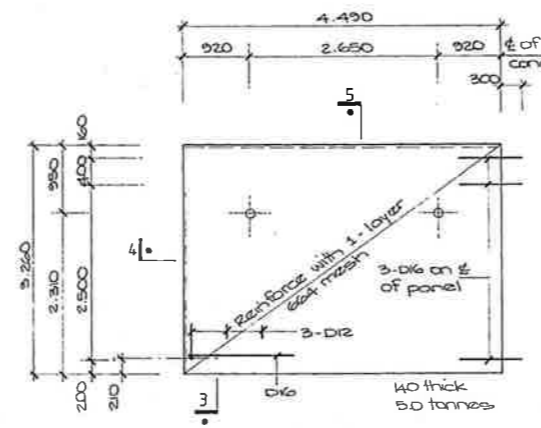
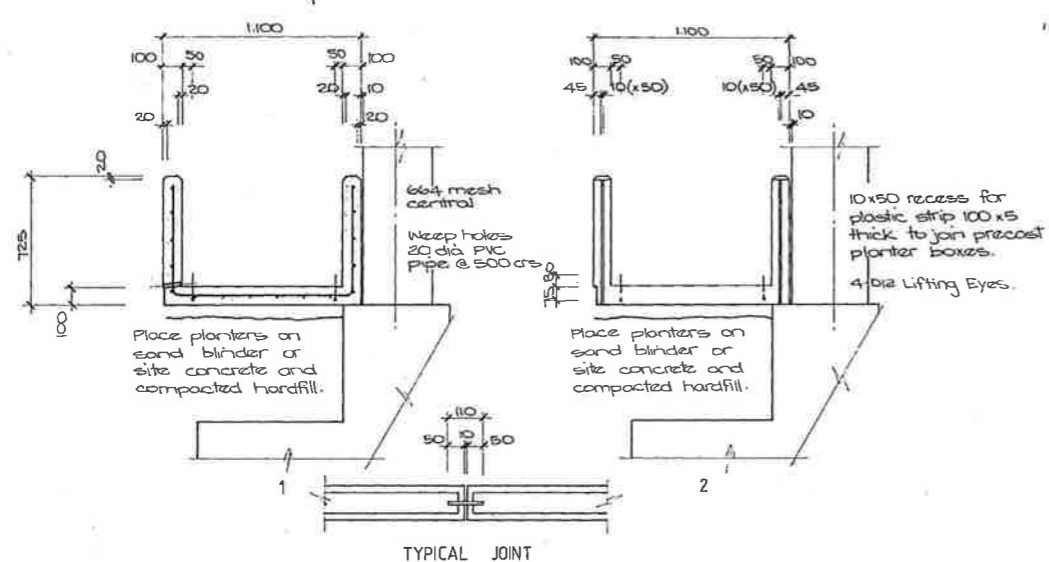
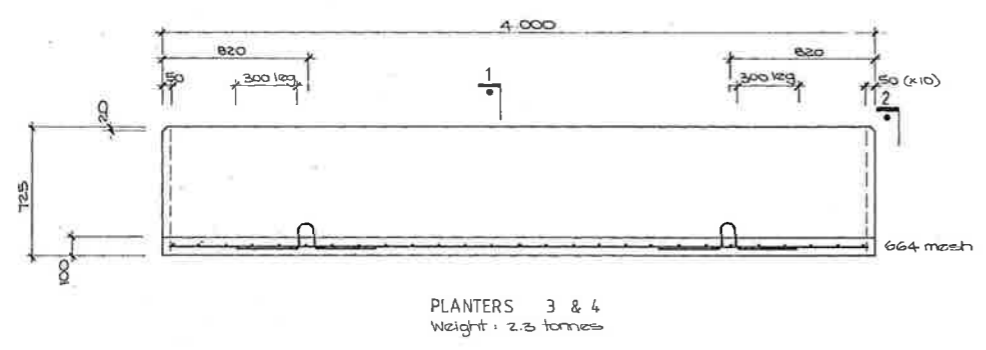
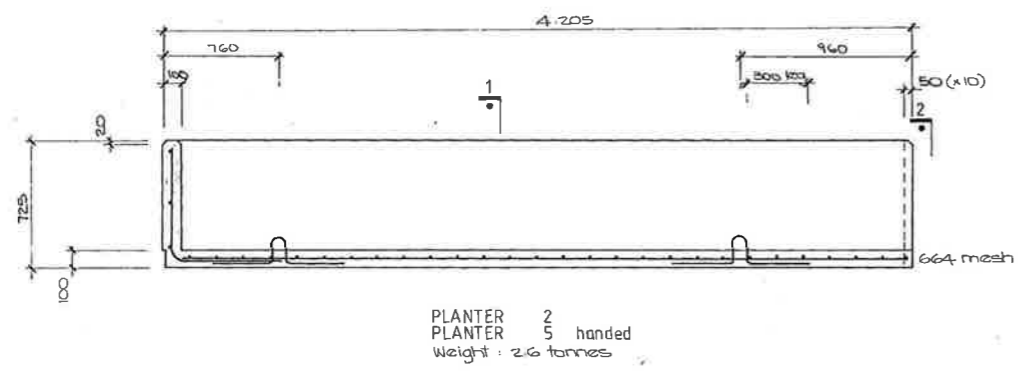
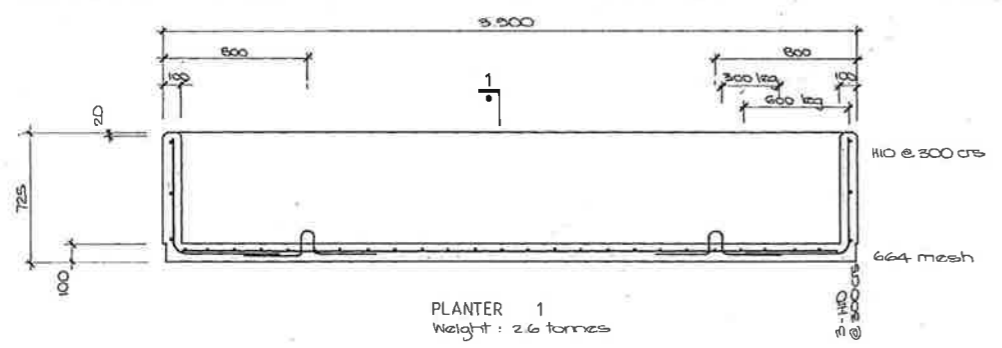


PRECAST SPANDREL LOCATION PLAN

| FLOOR LEVEL | SPANDREL POSITION (Refer plan above) |        |        |        |        |        |
|-------------|--------------------------------------|--------|--------|--------|--------|--------|
|             | (01)                                 | (02)   | (03)   | (04)   | (05)   | (06)   |
| LEVEL 1     |                                      |        |        |        |        |        |
| LEVEL 2     | S(01)2                               |        | S(02)3 | S(03)4 | S(04)5 | S(05)6 |
| LEVEL 3     | S(01)3                               | S(02)4 | S(03)5 | S(04)6 | S(05)2 | S(06)3 |
| LEVEL 4     | S(01)4                               | S(02)5 | S(03)6 | S(04)2 | S(05)3 | S(06)4 |
| LEVEL 5     | S(01)5                               | S(02)6 | S(03)2 | S(04)3 | S(05)4 | S(06)5 |
| LEVEL 6     | S(01)6                               | S(02)2 | S(03)3 | S(04)4 | S(05)5 | S(06)6 |

- NOTES
- Contractor should verify all dimensions on site before commencing fabrication of precast beams.
  - Concrete strength to be 25 MPa minimum.
  - Spandrel panels should have reached a concrete strength of 17.5 MPa minimum before any attempt is made to

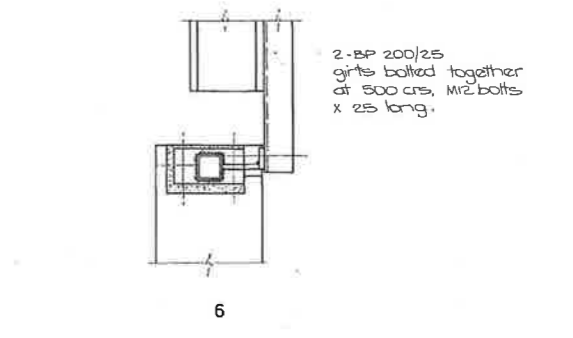
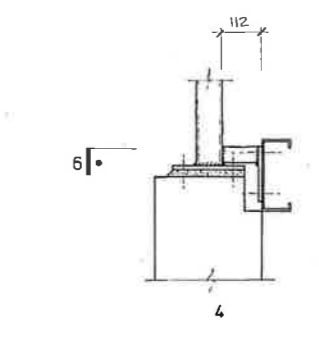
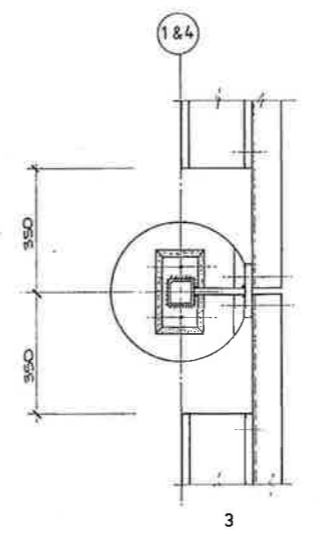
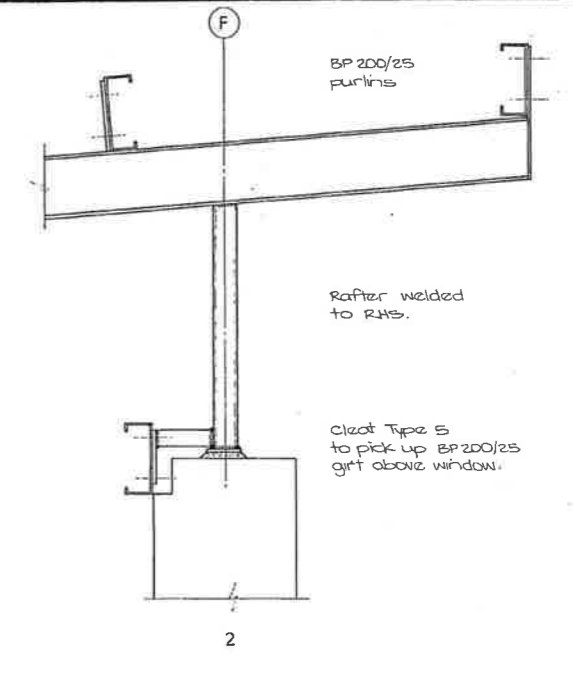
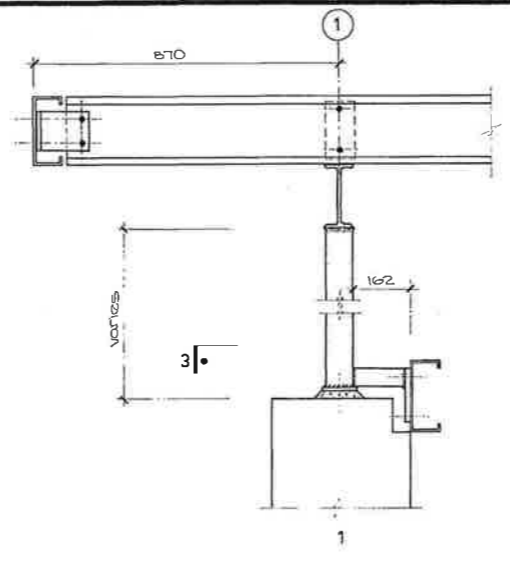
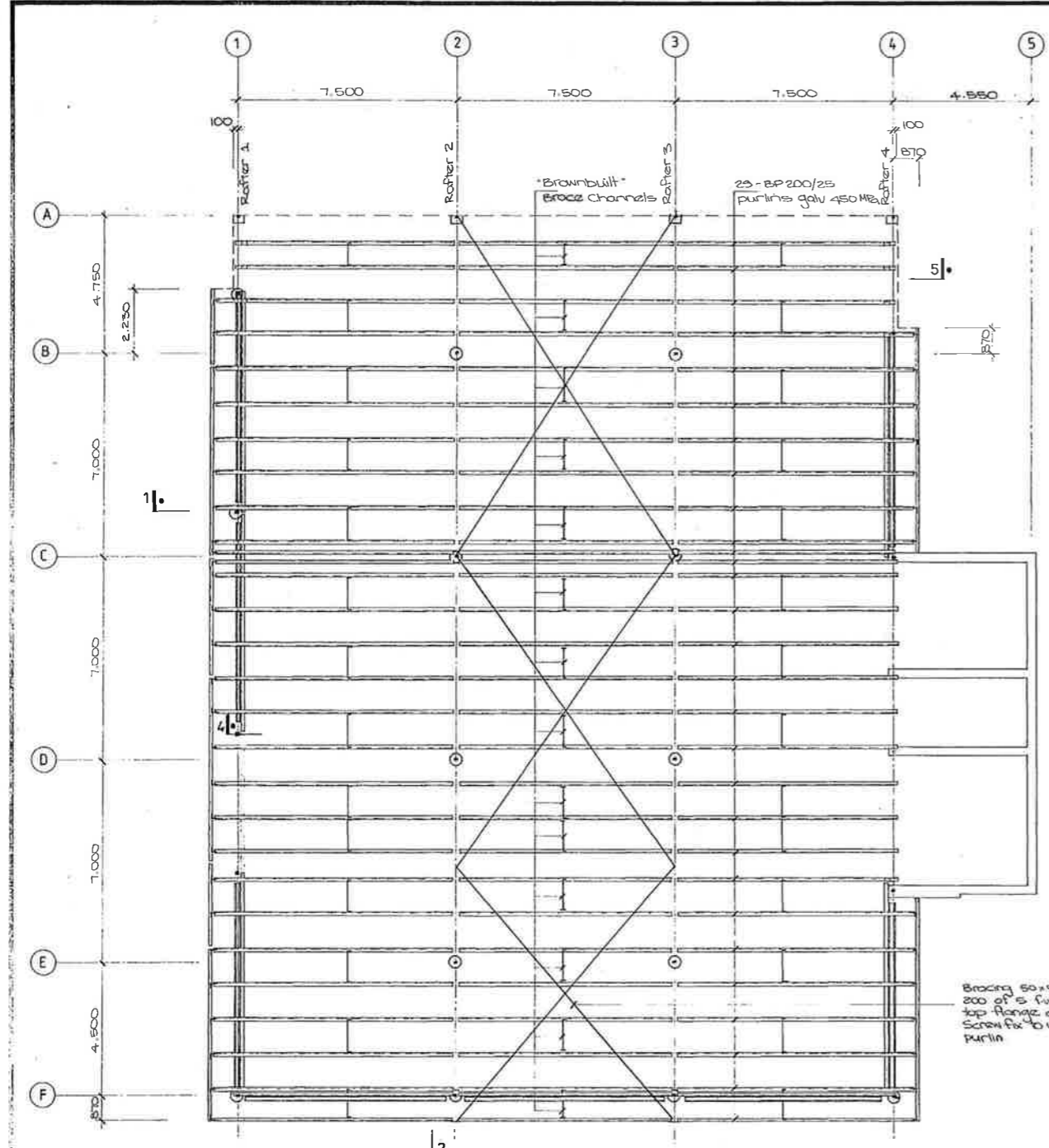
CHRISTCHURCH CITY COUNCIL  
Approved Subject to the By-Laws  
30 SEP 1986  
For Engineers  
Copyright Alan M. Reay Consulting Engineer



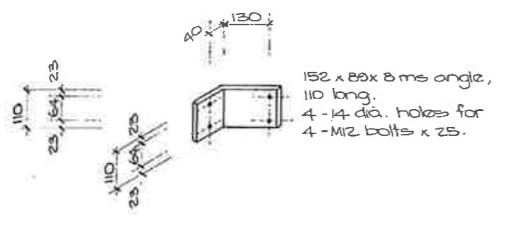
CHRISTCHURCH CITY COUNCIL  
Approved Subject to the By-Laws  
A. M. REAY  
For Engineer

Copyright Alan M. Reay Consulting Engineer

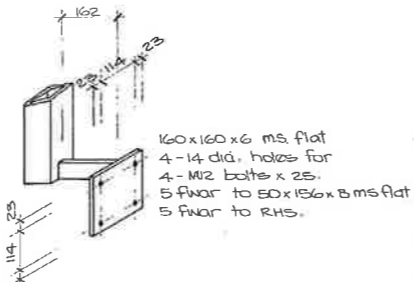
| APPROVED  | DATE        | SCALE                       | SHEET | FILE |
|-----------|-------------|-----------------------------|-------|------|
| <i>SM</i> | AUGUST 1986 | 1 : 200<br>1 : 20<br>1 : 10 | S26   | 2503 |



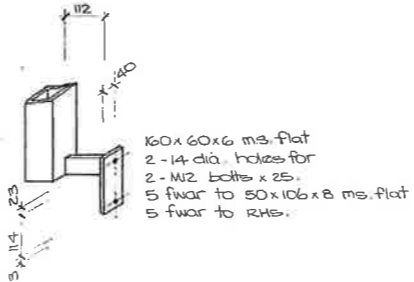
Bracing 50x5 ms flat bracing 200 of 5 fw each end to top flange of rafter. Screw fix to underside of each purlin



CLEAT C5 (41 off)

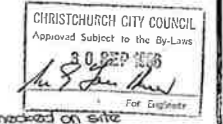


CLEAT C6 (3 off)

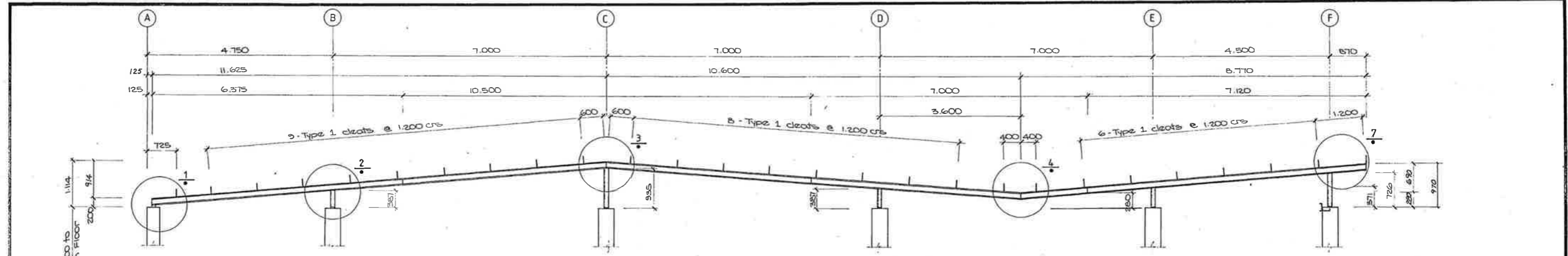


CLEAT C7 (10 off)

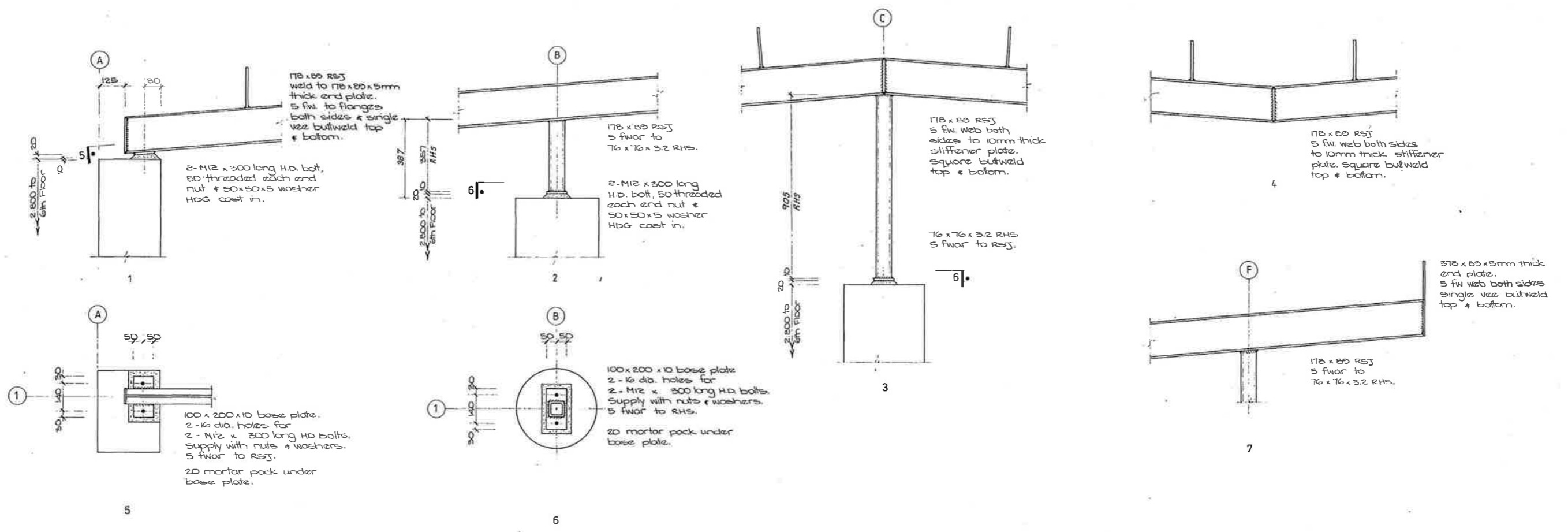
**NOTE**  
 • All dimensions to be checked on site before commencing fabrication of steelwork.  
 • All welds to be 5 fw unless shown otherwise.  
 • Purlins to be Brownbuilt 450 Mpa galv purlins with 14 dia dia holes.



|                    |             |               |       |      |
|--------------------|-------------|---------------|-------|------|
| APPROVED           | DATE        | SCALE         | SHEET | FILE |
| <i>[Signature]</i> | AUGUST 1986 | 1:100<br>1:10 | S27   | 2503 |



RAFTERS 2 & 3

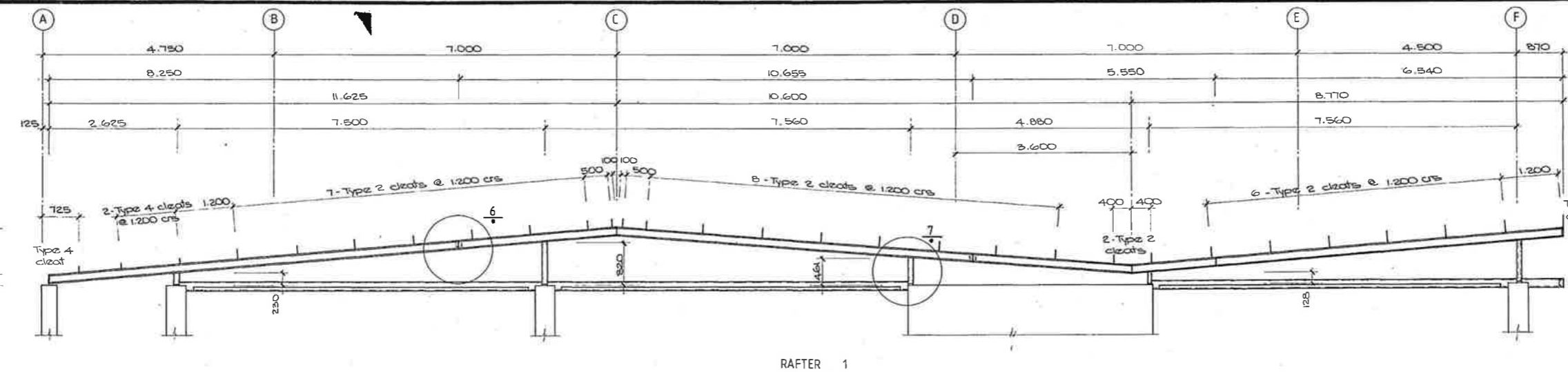


NOTE  
 All dimensions to be checked on site before commencing fabrication of steelwork.

CHRISTCHURCH CITY COUNCIL  
 Approved Subject to the By-Laws  
 30 SEP 1986  
 [Signature]  
 For Engineer

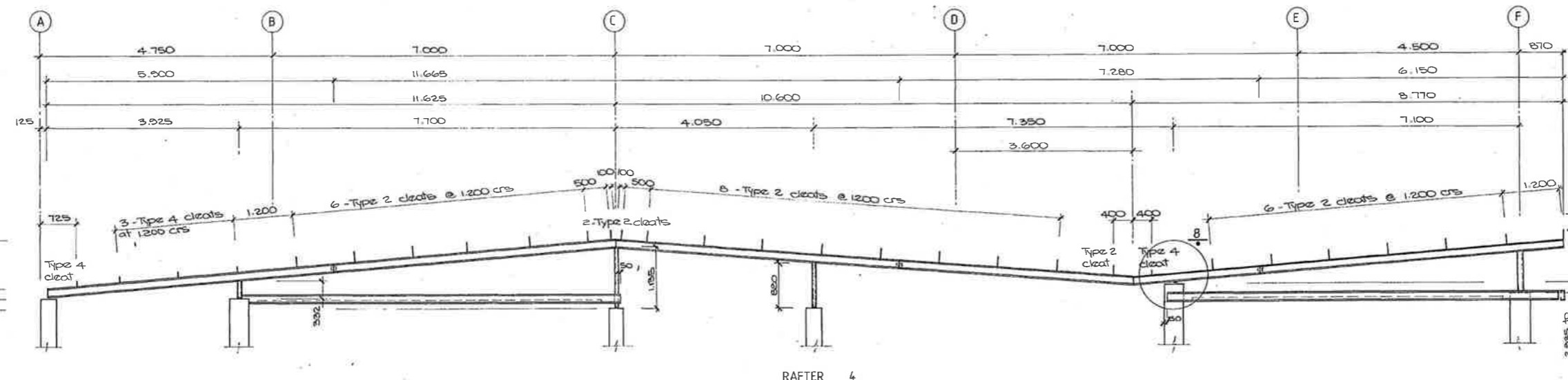
Copyright Alan M. Reay Consulting Engineer

| APPROVED    | DATE        | SCALE        | SHEET                    | FILE     |
|-------------|-------------|--------------|--------------------------|----------|
| [Signature] | AUGUST 1986 | 1:50<br>1:10 | STEELWORK : FRAMES 2 & 3 | S28 2503 |

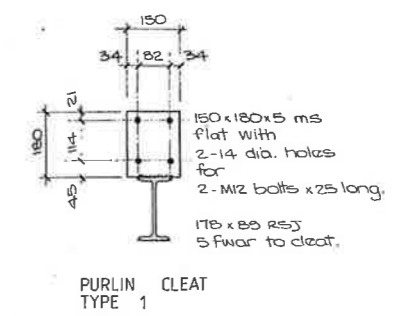
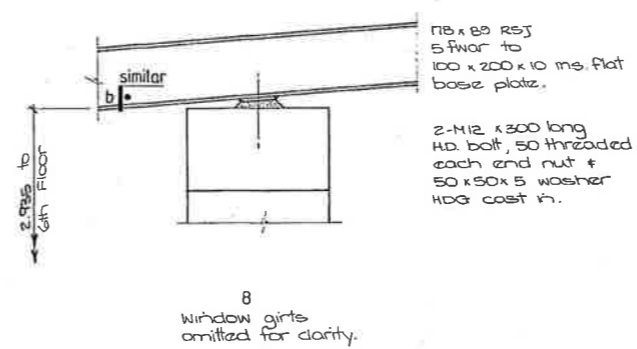
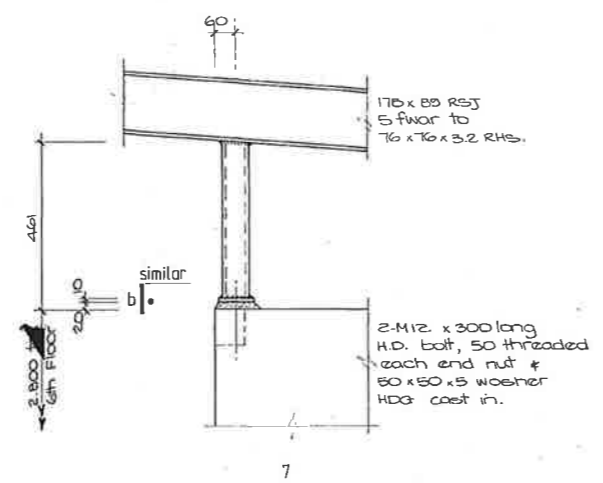
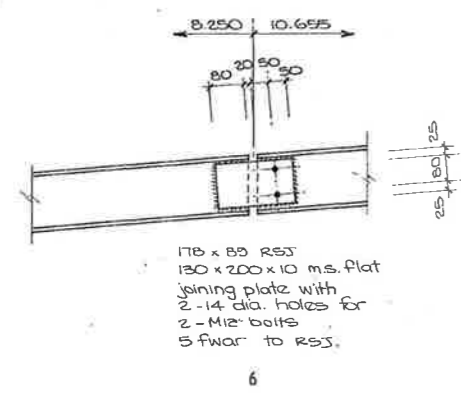


RAFTER 1

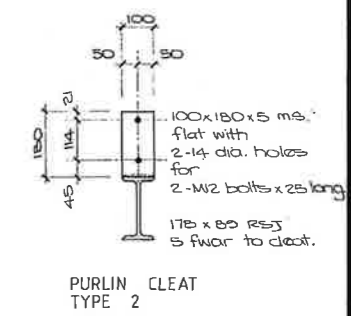
NOTE  
Check all dimensions on site  
before commencing fabrication  
of steelwork.



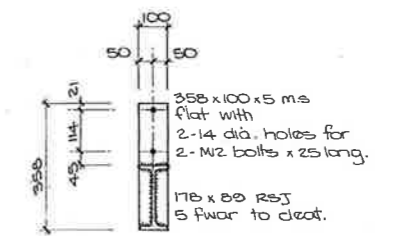
RAFTER 4



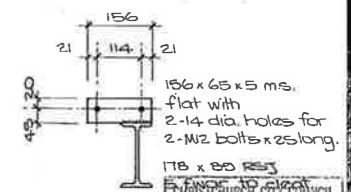
PURLIN CLEAT  
TYPE 1



PURLIN CLEAT  
TYPE 2



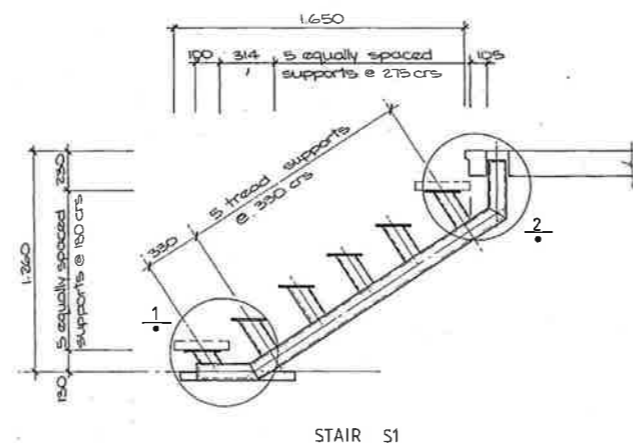
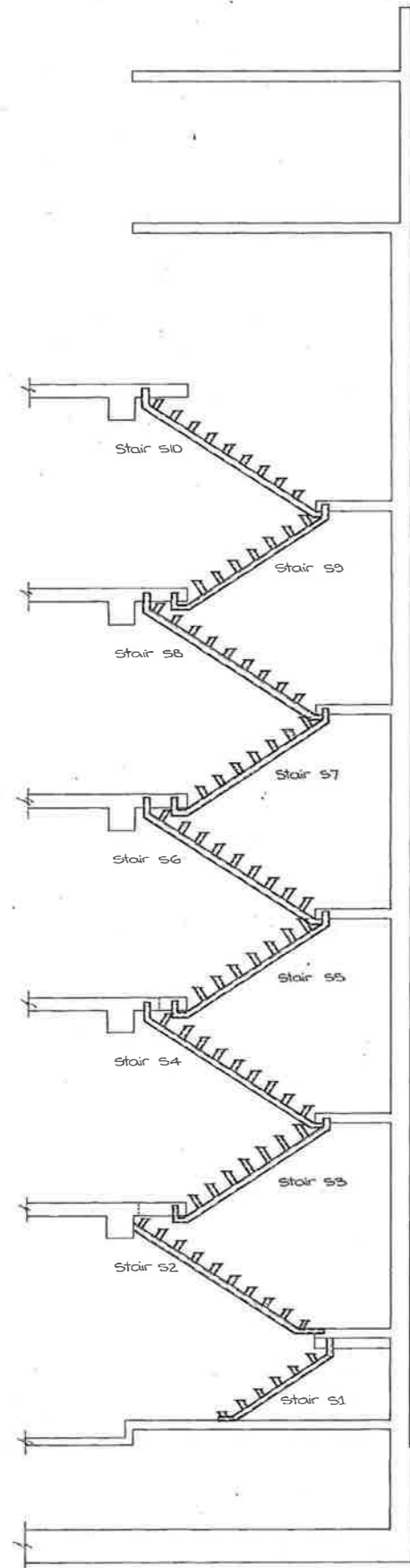
PURLIN CLEAT  
TYPE 3



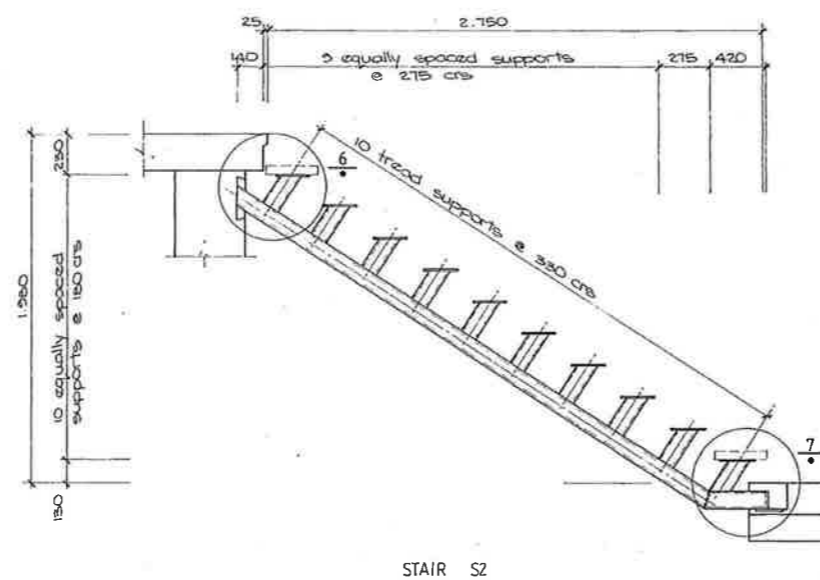
PURLIN CLEAT  
TYPE 4

CHRISTCHURCH CITY COUNCIL  
Approved Subject to the By-Laws  
30 SEP 1988  
For Engineer

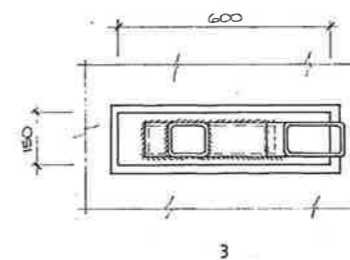
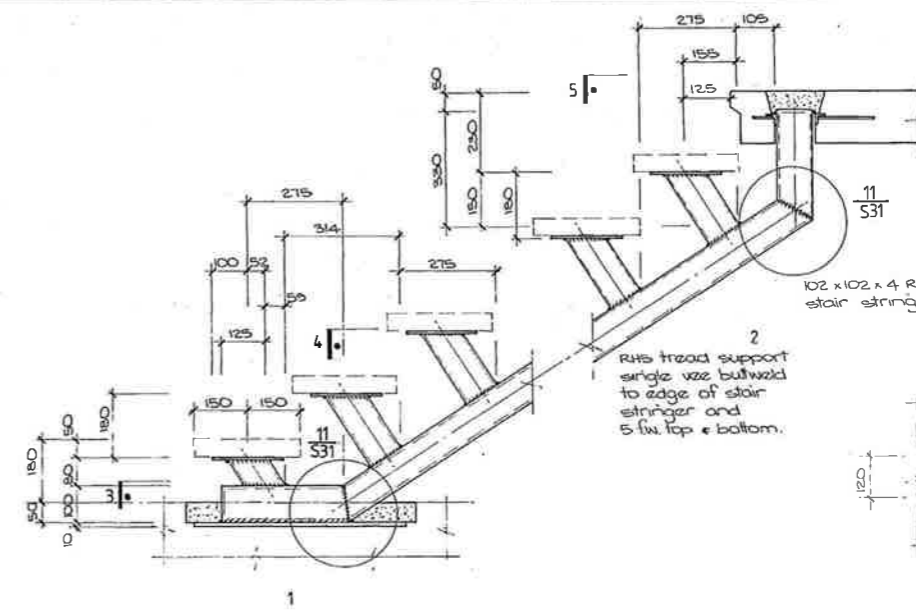
| APPROVED  | DATE        | SCALES       | SHEET | FILE |
|-----------|-------------|--------------|-------|------|
| <i>DR</i> | AUGUST 1986 | 1:50<br>1:10 | S29   | 2503 |



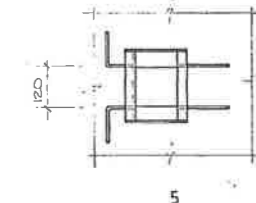
STAIR S1



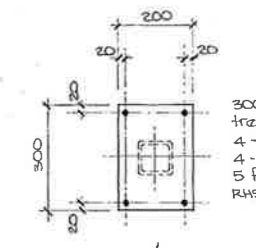
STAIR S2



Weldplate Type 1  
cast in slab for  
stair stringer  
102 x 102 x 4 RHS.  
5 fixer to weldplate.  
RHS tread support  
single vee butweld  
to edge of stair  
stringer & 5 f.w.  
other 2 sides.

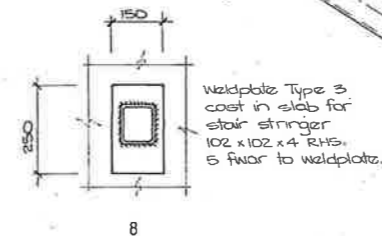
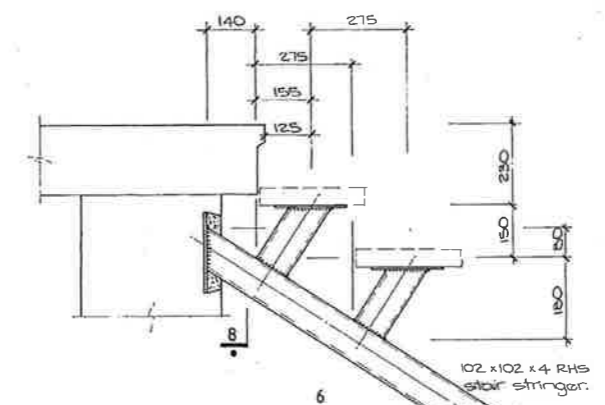


Weldplate Type 2  
cast in landing  
slab for stair  
stringer.



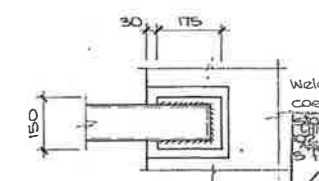
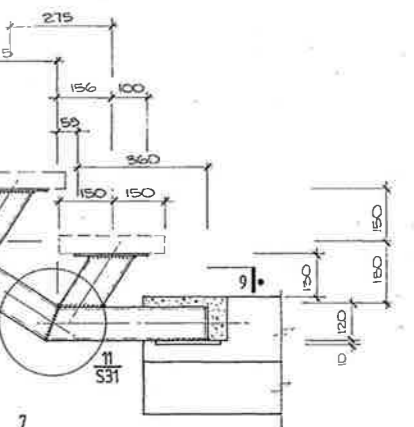
300 x 200 x 10  
tread plate with  
4 - 14 dia. holes for  
4 - M12 coach screws  
5 f.w. to 102 x 102 x 4  
RHS tread support.

TYPICAL



Weldplate Type 3  
cast in slab for  
stair stringer  
102 x 102 x 4 RHS.  
5 f.w. to weldplate.

RHS tread support  
single vee butweld  
to edge of stair  
stringer and 5 f.w.  
top & bottom.



Weldplate Type 4  
cast in slab for  
stair stringer  
102 x 102 x 4 RHS.  
5 f.w. to weldplate.

NOTE  
Check all dimensions on site  
before commencing fabrication  
of steelwork.

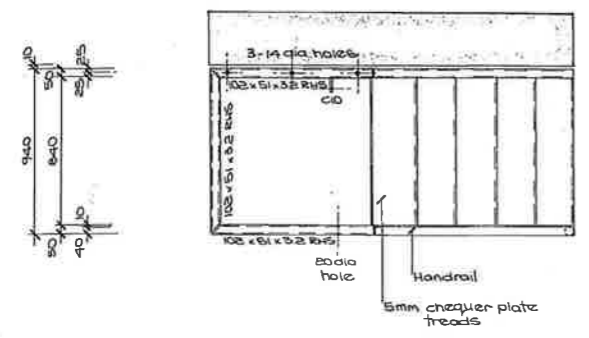
Copyright Alan M. Reay Consulting Engineer



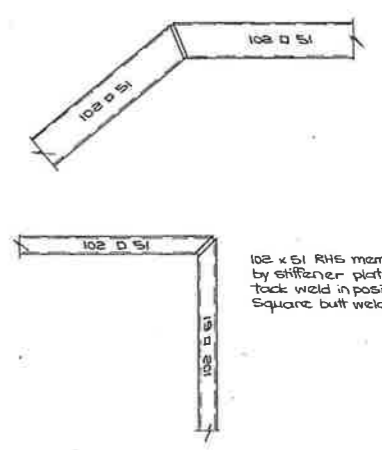
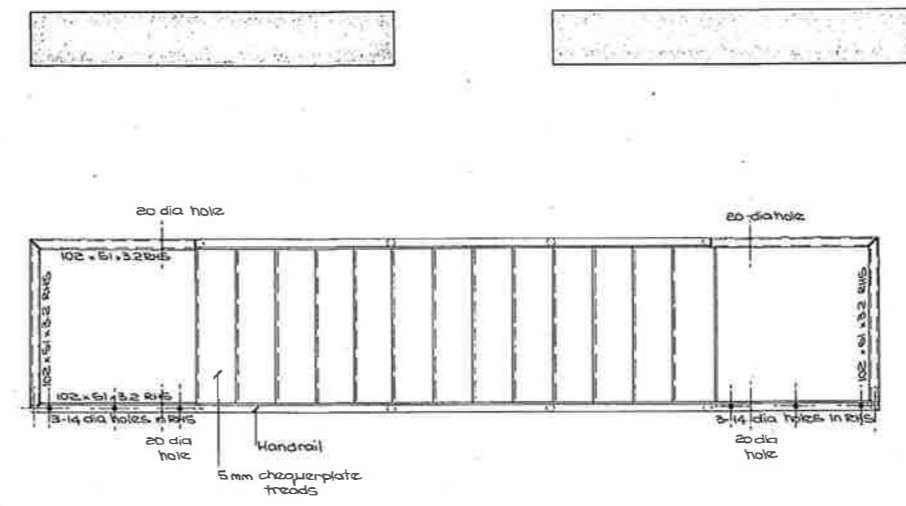
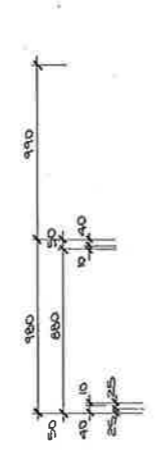




Notes:  
All RHS sections between stiffener plates must have a 20 dia vent hole in underside before fabricated units are H.D.C.

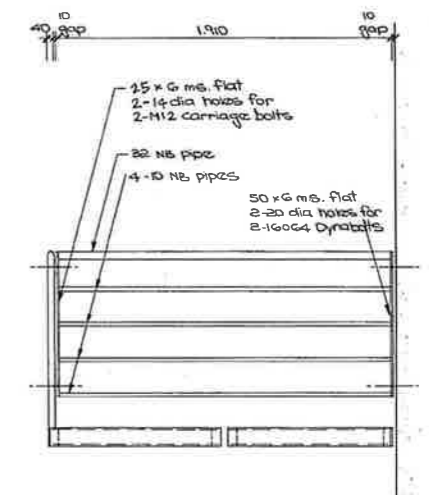
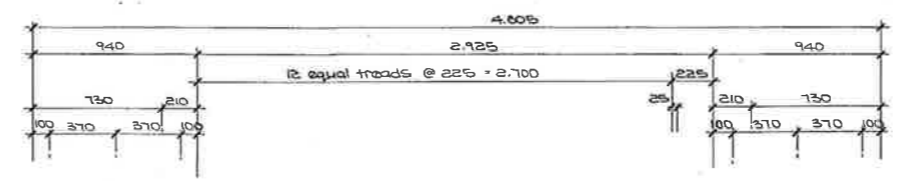


STAIR S11

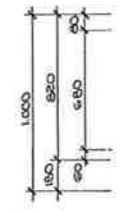


TYPICAL RHS JOINTS

102 x 51 RHS members joined by stiffener plate, 6mm thick, tack weld in position. Square butt weld all round joint.

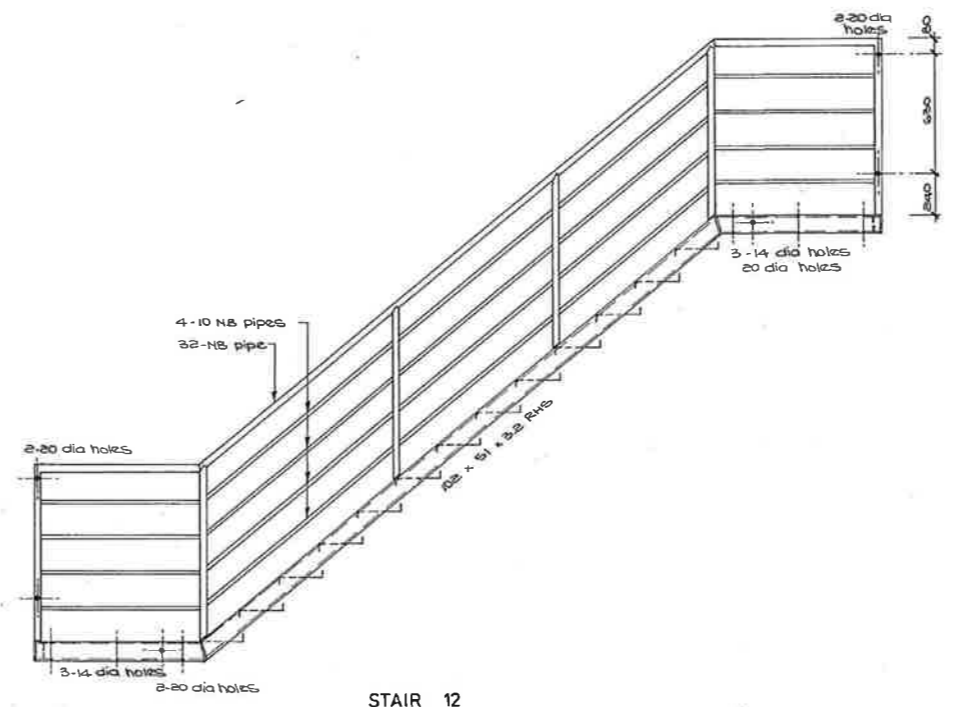
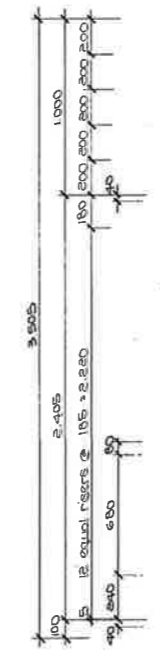
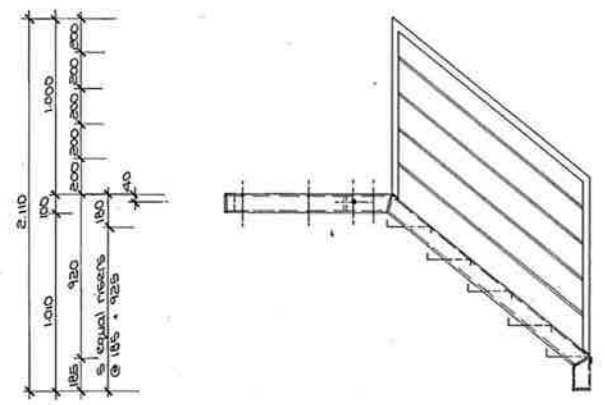
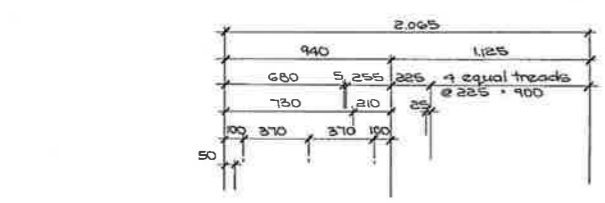


LANDING END HANDRAIL (10 off)



5mm chequerplate 840 long 30 off  
880 long 161 off  
5 fw both sides of plate to RHS

STAIR TREADS



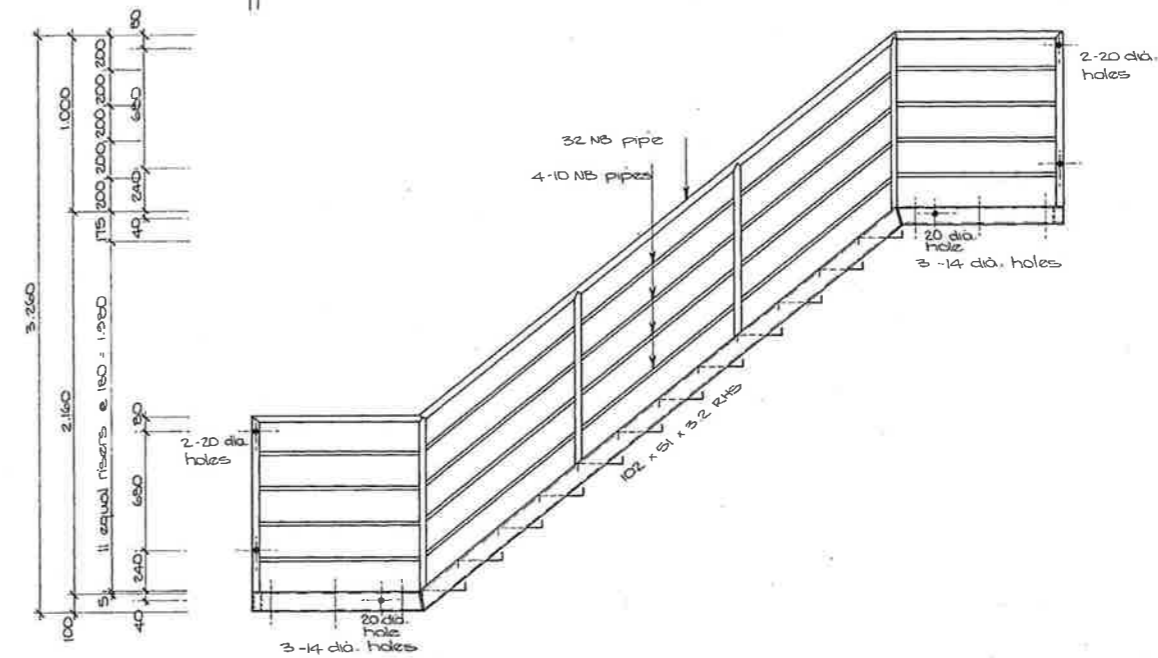
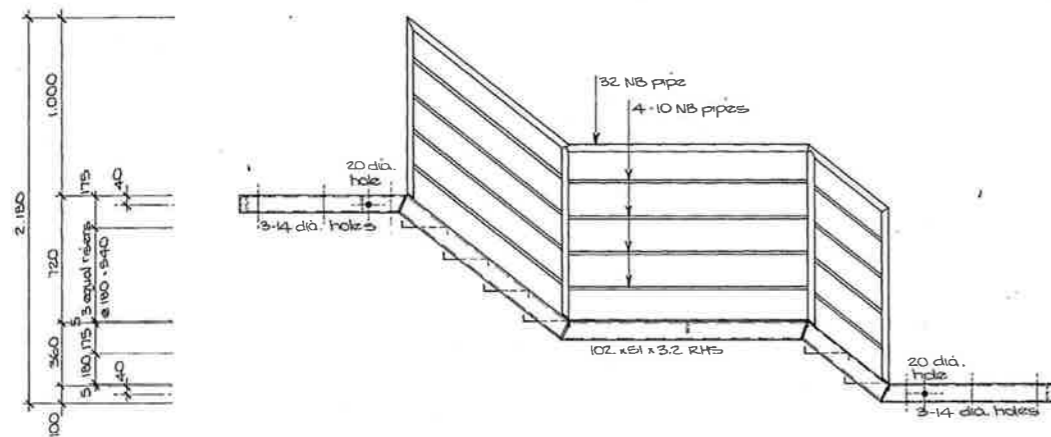
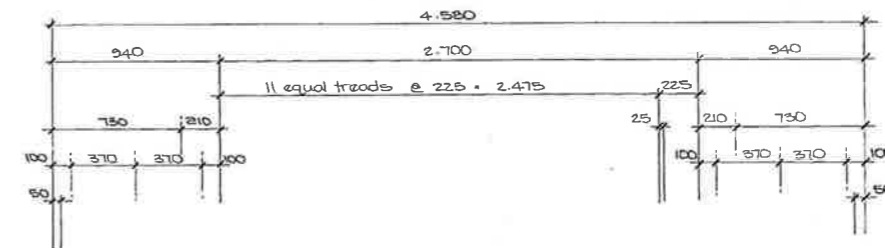
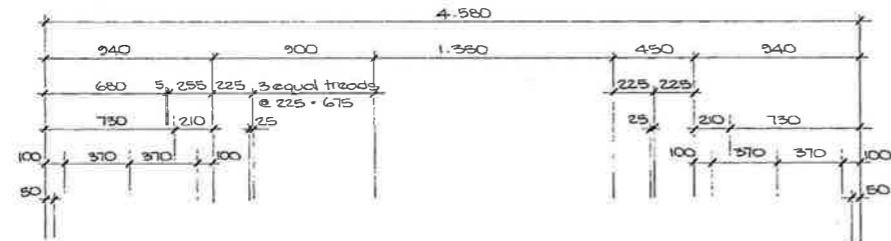
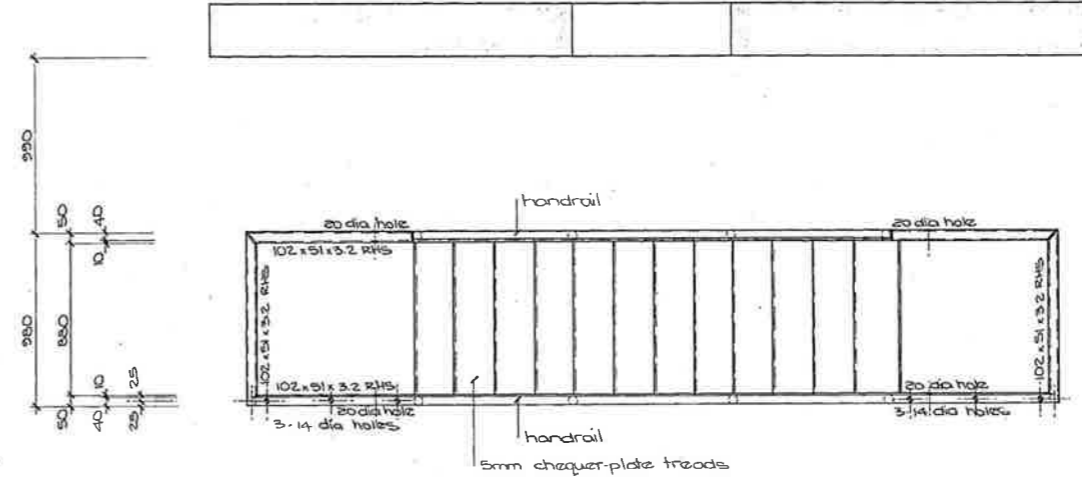
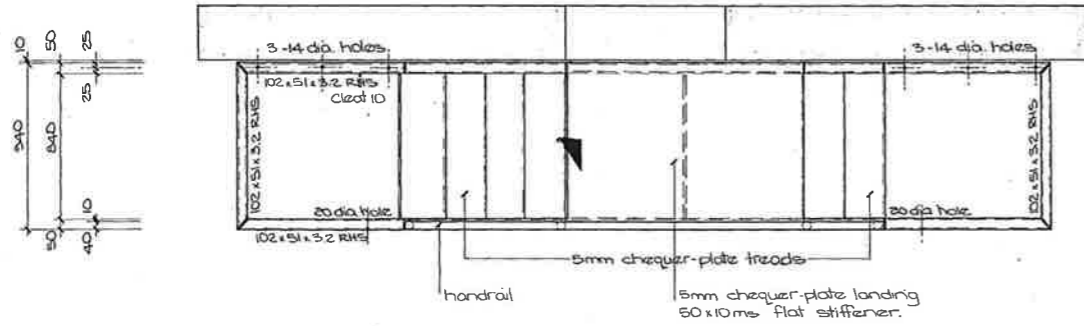
STAIR 12

NOTE  
Check all dimensions on site before commencing fabrication of steelwork.

CHRISTCHURCH CITY COUNCIL  
Approved Subject to the By-Laws  
30 SEP 1986  
For Engineer

Copyright Alan M. Reay Consulting Engineer

| APPROVED  | DATE     | SCALE        | SHEET           | FILE     |
|-----------|----------|--------------|-----------------|----------|
| <i>DR</i> | AUG 1986 | 1:20<br>1:10 | STAIR S11 & S12 | S33 2503 |



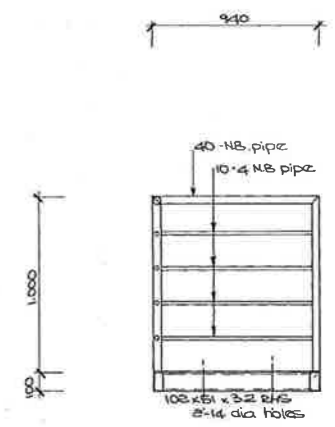
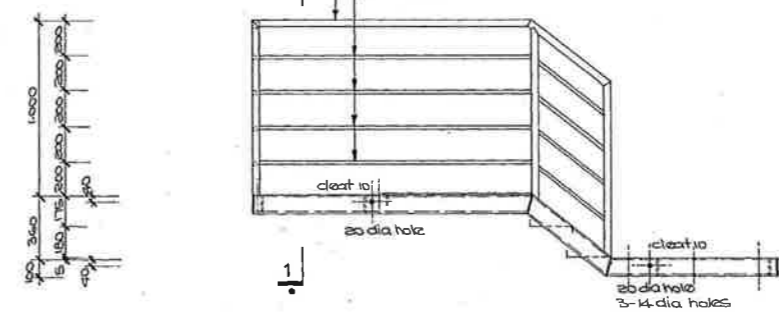
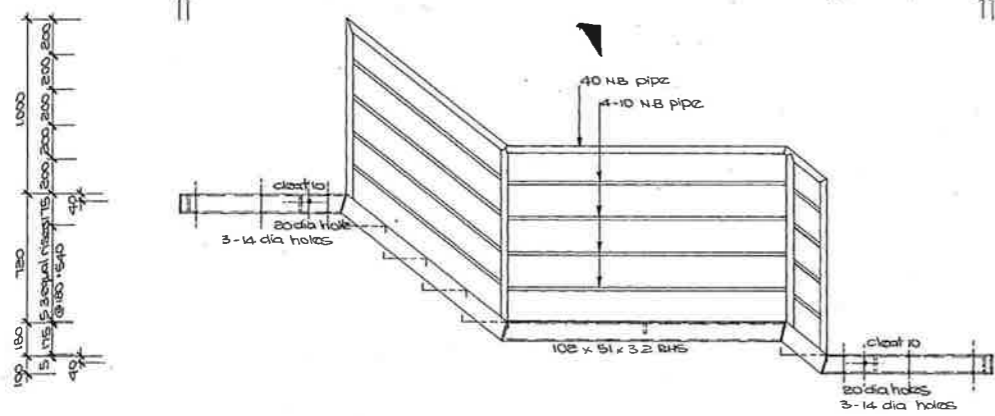
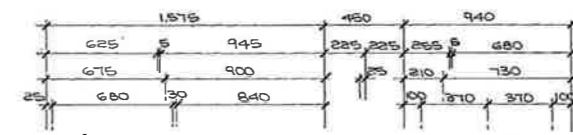
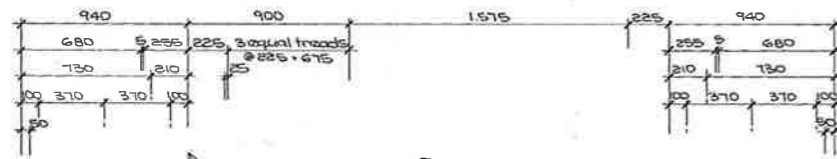
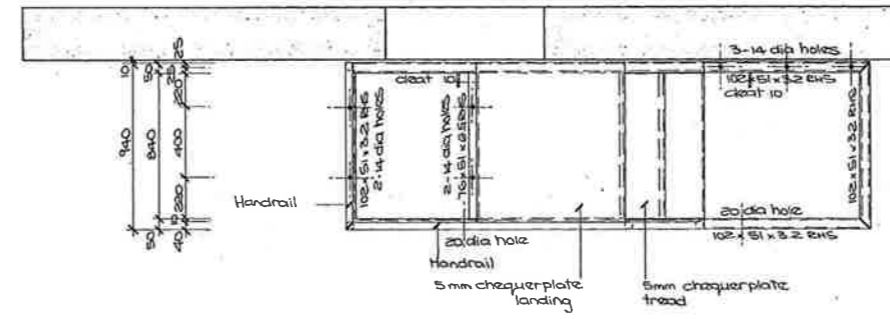
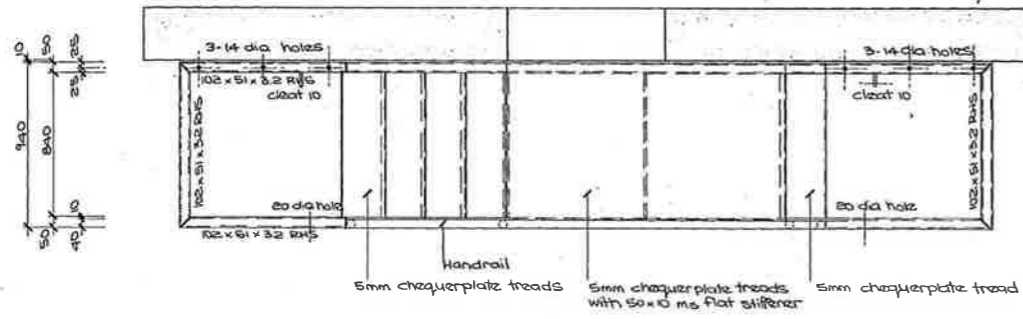
STAIR S15, S17 & S19

STAIR S14, S16, S18 & S20

CHRISTCHURCH CITY COUNCIL  
 Approved Subject to the By-Laws  
 30 SEP 1986  
 For Engineer

Copyright Alan M. Reay Consulting Engineer

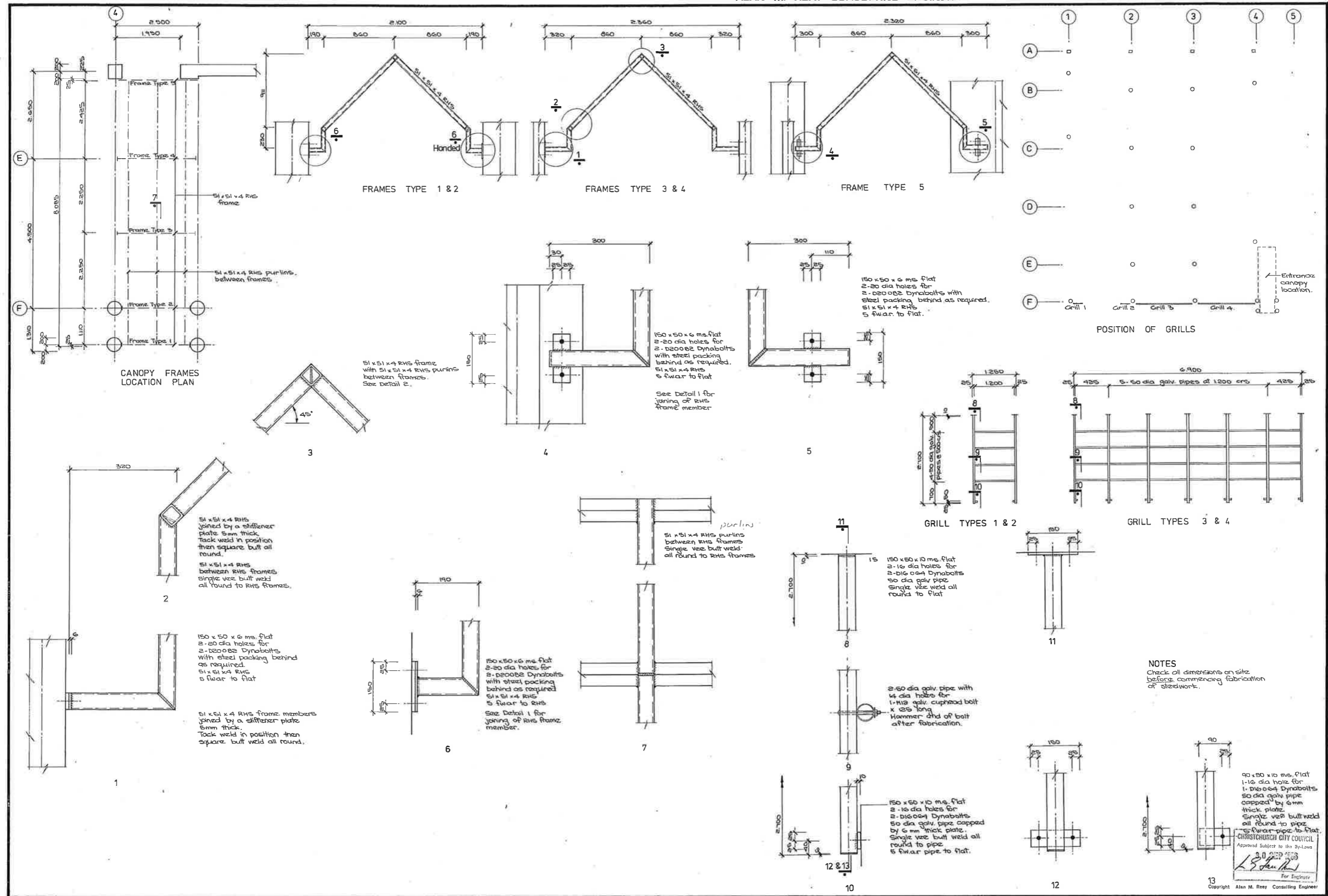
| APPROVED           | DATE        | SCALE | SHEET             | FILE     |
|--------------------|-------------|-------|-------------------|----------|
| <i>[Signature]</i> | AUGUST 1986 | 1:20  | STAIRS S14 to S20 | S34 2503 |



STAIR S13

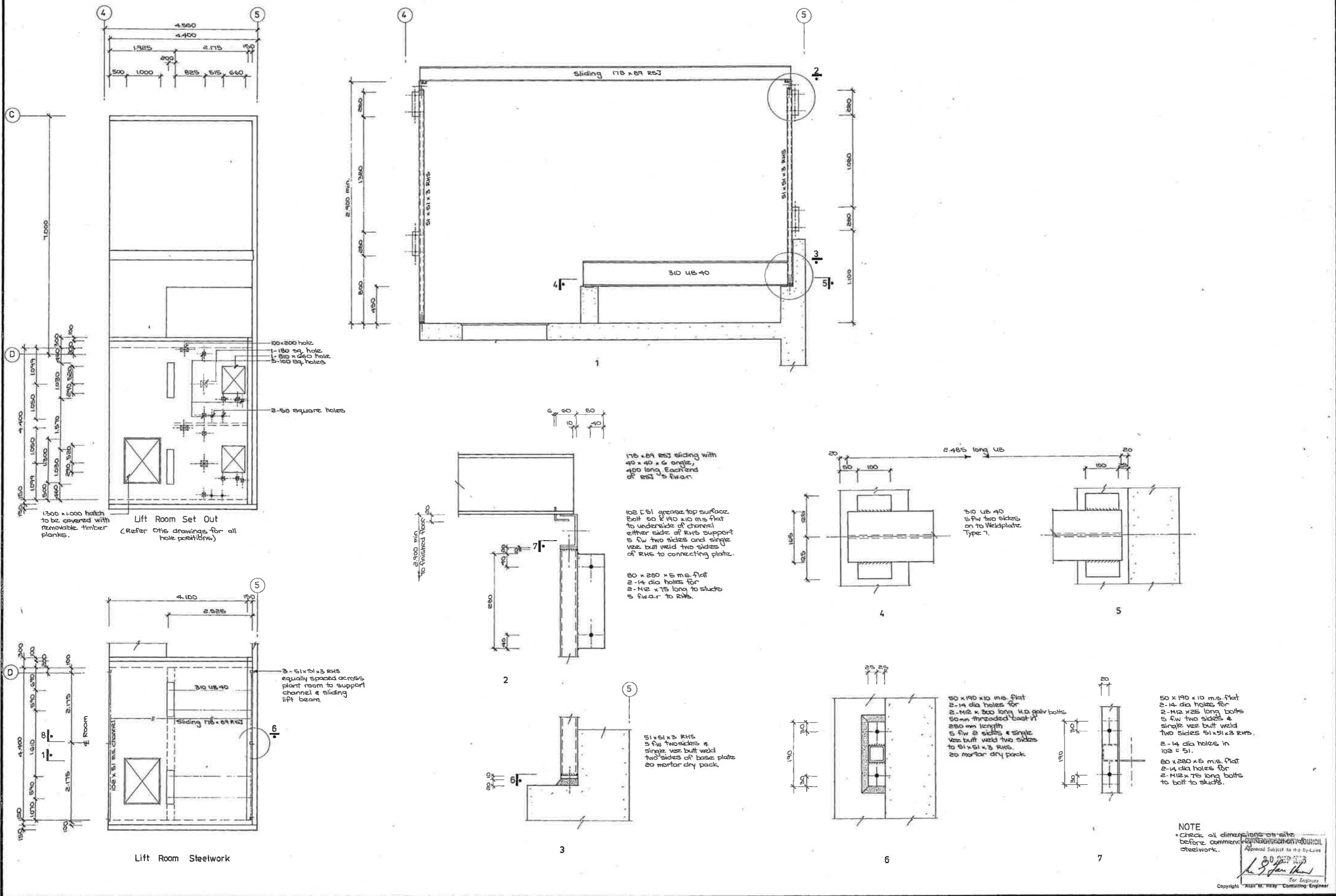
STAIR S21

CHRISTCHURCH CITY COUNCIL  
Approved Subject to the By-Laws  
3.0.10.10  
For Engineer

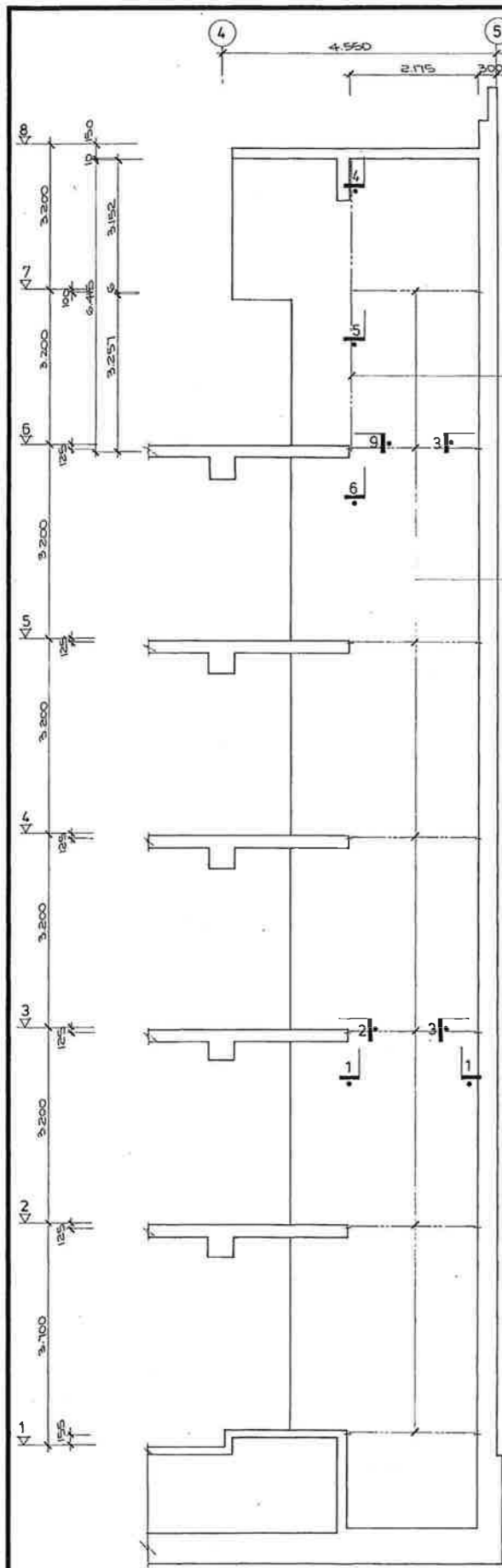


**NOTES**  
 Check all dimensions on site before commencing fabrication of steelwork.

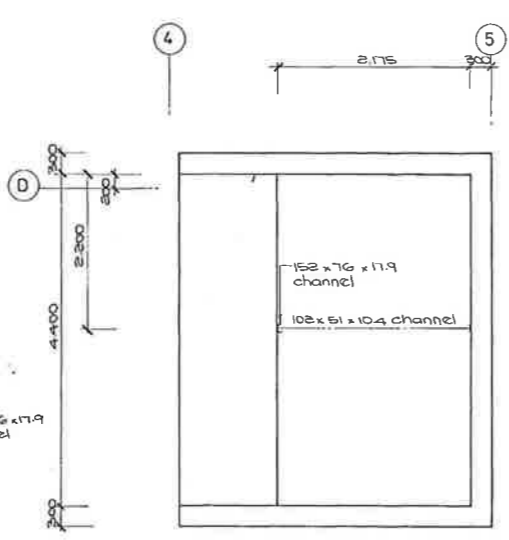
13  
 90 x 50 x 10 ms. flat  
 1-16 dia hole for  
 1-16 dia 064 Dynabolt  
 50 dia galv pipe  
 capped by 6mm  
 thick plate.  
 Single vee butt weld  
 all round to pipe  
 5 flange pipe to flat.  
 CHRISTCHURCH CITY COUNCIL  
 Approved Subject to the By-Laws  
 20 SEP 1986  
 For Engineer



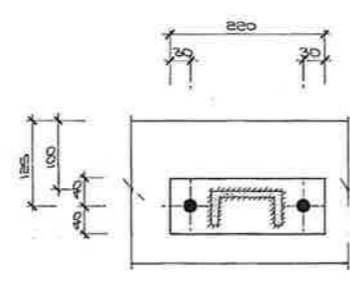
| APPROVED | DATE     | SCALE                 | SHEET                  | FILE     |
|----------|----------|-----------------------|------------------------|----------|
|          | AUG 1986 | 1:50 1:20<br>1:10 1:5 | LIFT MACHINE STEELWORK | S37 2503 |



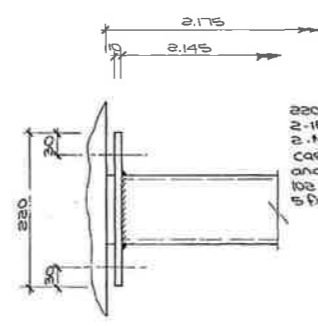
ELEVATION



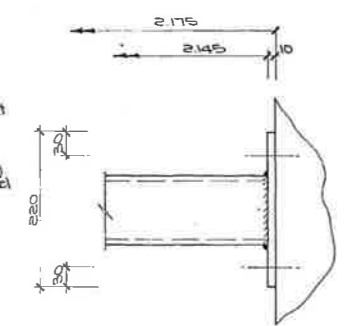
PLAN ABOVE LEVEL 6



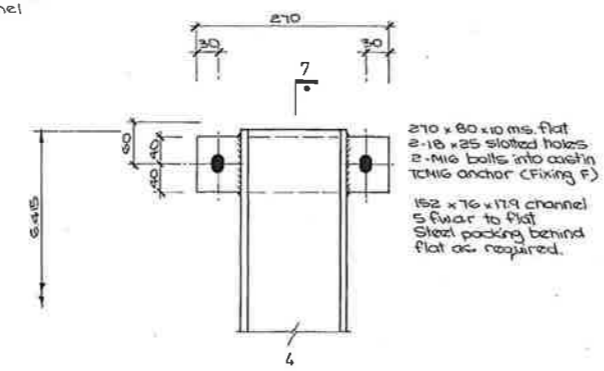
1



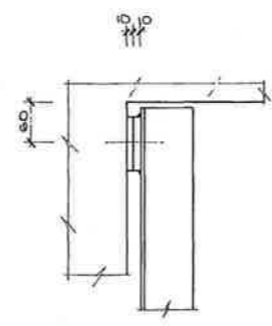
2



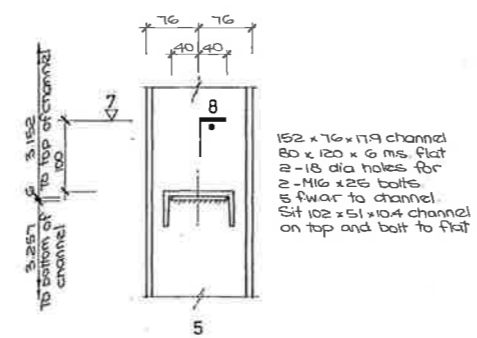
3



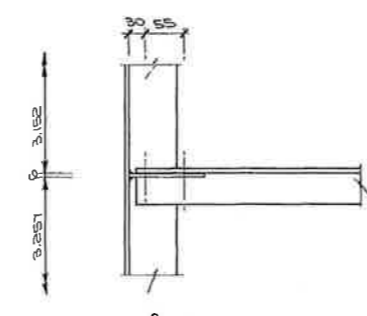
4



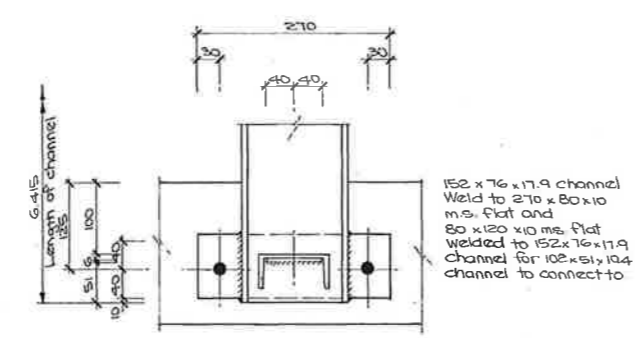
7



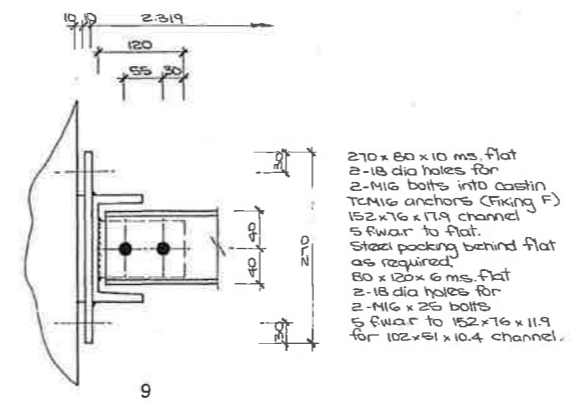
5



8



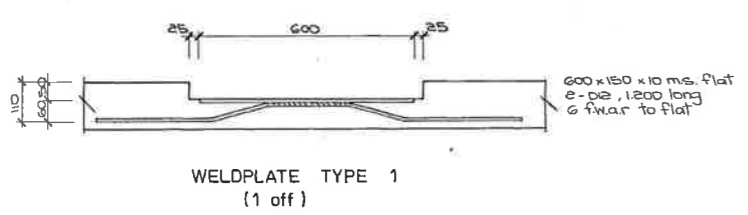
6



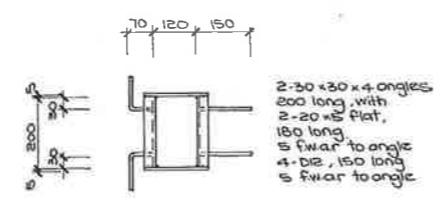
9

CHRISTCHURCH CITY COUNCIL  
Approved Subject to the By-Laws  
30 SEP 1985  
L. S. [Signature]  
Per Engineer

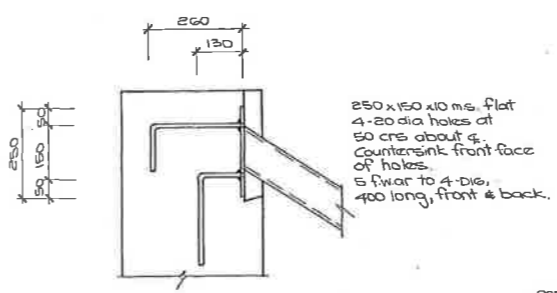
Copyright Alan M. Reay Consulting Engineer



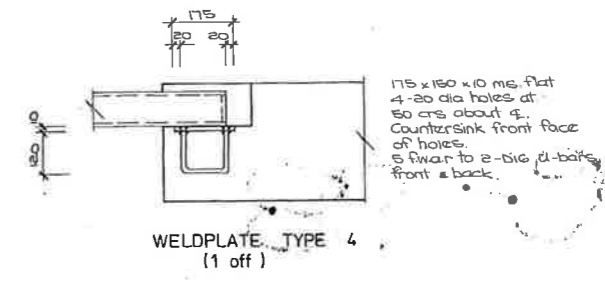
WELDPLATE TYPE 1  
(1 off)



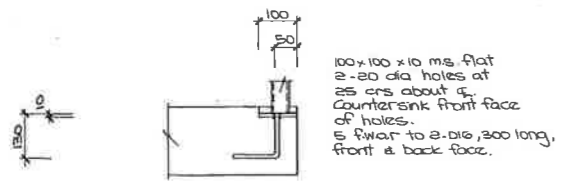
WELDPLATE TYPE 2  
(17 off)



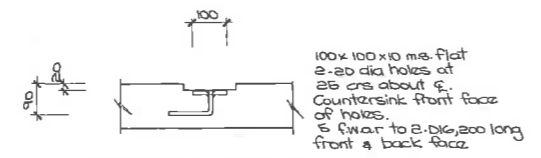
WELDPLATE TYPE 3  
(1 off)



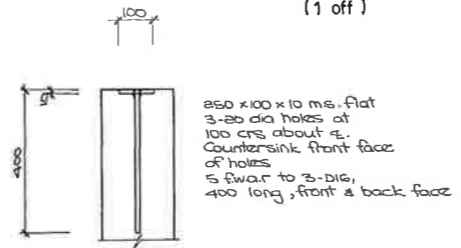
WELDPLATE TYPE 4  
(1 off)



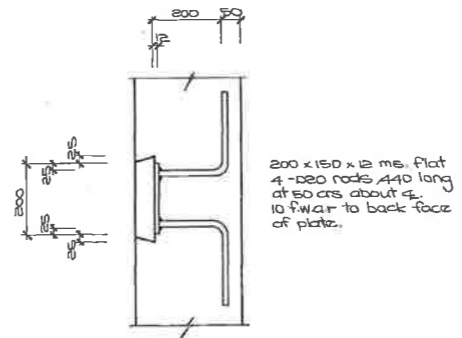
WELDPLATE TYPE 5  
(20 off)



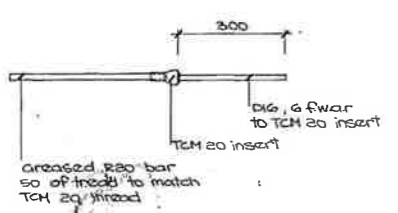
WELDPLATE TYPE 6  
(1 off)



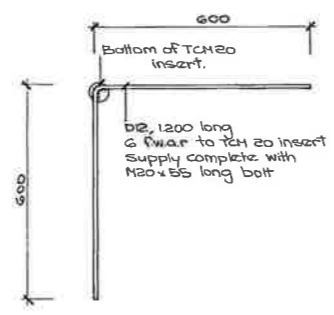
WELDPLATE TYPE 7  
(8 off)



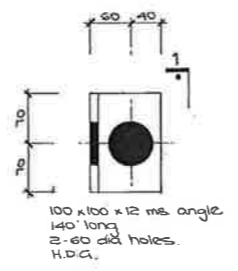
WELDPLATE TYPE 8  
(10 off)



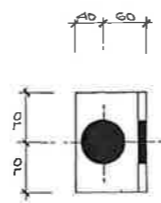
FIXING A  
(54 off)



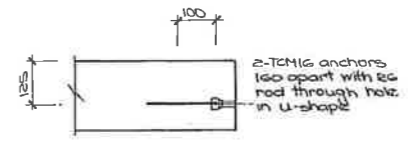
FIXING B  
(232 off)



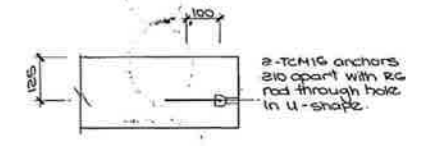
FIXING C  
(116 off)



FIXING D  
(232 off)



FIXING E  
(12 off)



FIXING D  
(2 off)

NOTES  
 • All reinforcing bends to be hot bent  
 • The welding of dissimilar metals  
 eg. reinforcing bars to TCM 20 inserts, will  
 require appropriate rods & method

CHRISTCHURCH CITY COUNCIL  
 Approved & Signed by the District Engineer  
 19/Jan/86

Copyright Alan M. Reay Consulting Engineer



MADRAS ST  
86-2640

245 MADRAS ST  
86-2640  
Office Building  
30-09-86  
BAY 20

TO

245 MADRAS ST  
86-2640

245

~~245~~ MADRAS ST

86-2640

86-2640  
RALS

A 1747.

**CITY HEALTH DEPARTMENT**

**TO THE OWNER/APPLICANT**  
Please refer all prospective applicants of the following regulations of legislation administered to this department.

**CLEAN AIR ACT 1972**  
Details of all plans and provisions involved in the handling or discharge of air pollutants as specified in the Schedule of the Clean Air Act 1972 must be submitted to the City Health Department for approval before installation and operation, as licensing may be necessary under the provisions of the Act.

**HEALTH ACT 1956 AND REGULATIONS**  
If the building is intended to be used as food or handwashing premises it will be necessary for it to comply with all relevant bylaws and regulations as regards floors, walls, lighting, ventilation, washing facilities and other matters, depending on the type of business carried out. Compliance is required by legislation, and application and registration fees must be paid before any food or handwashing business commences. An adequate supply of wholesome drinking water shall be provided for the free use of the persons working on the premises.

**NOISE CONTROL ACT 1982**  
All noise producing plant and equipment must be suitably acoustically shielded, and all activities on the premises must be conducted, so as to ensure that noise does not exceed a reasonable level within the meaning of the Noise Control Act 1982. Where applicable, compliance with the Council's Noise Scheme should satisfy this requirement.

**NOTE: BUILDING OR DEMOLITION CONTRACTORS** Control of Noise in Building and Demolition Sites  
The Noise Control Act 1982 places a general obligation on persons, including builders and demolition contractors, to adopt the best practicable means to ensure that noise emitted from the site does not exceed a reasonable level. "Practicable means" includes proper design, construction, maintenance and supervision of plant, equipment and machinery and the manner and time of its operation.

The issue of a building permit does not absolve persons from compliance with the Act, and if there is a breach, a Noise Control Officer may require a reduction or cessation of the noise as appropriate to each case. Any further information on the above matters may be obtained by contacting the District Health Inspector, City Health Department.

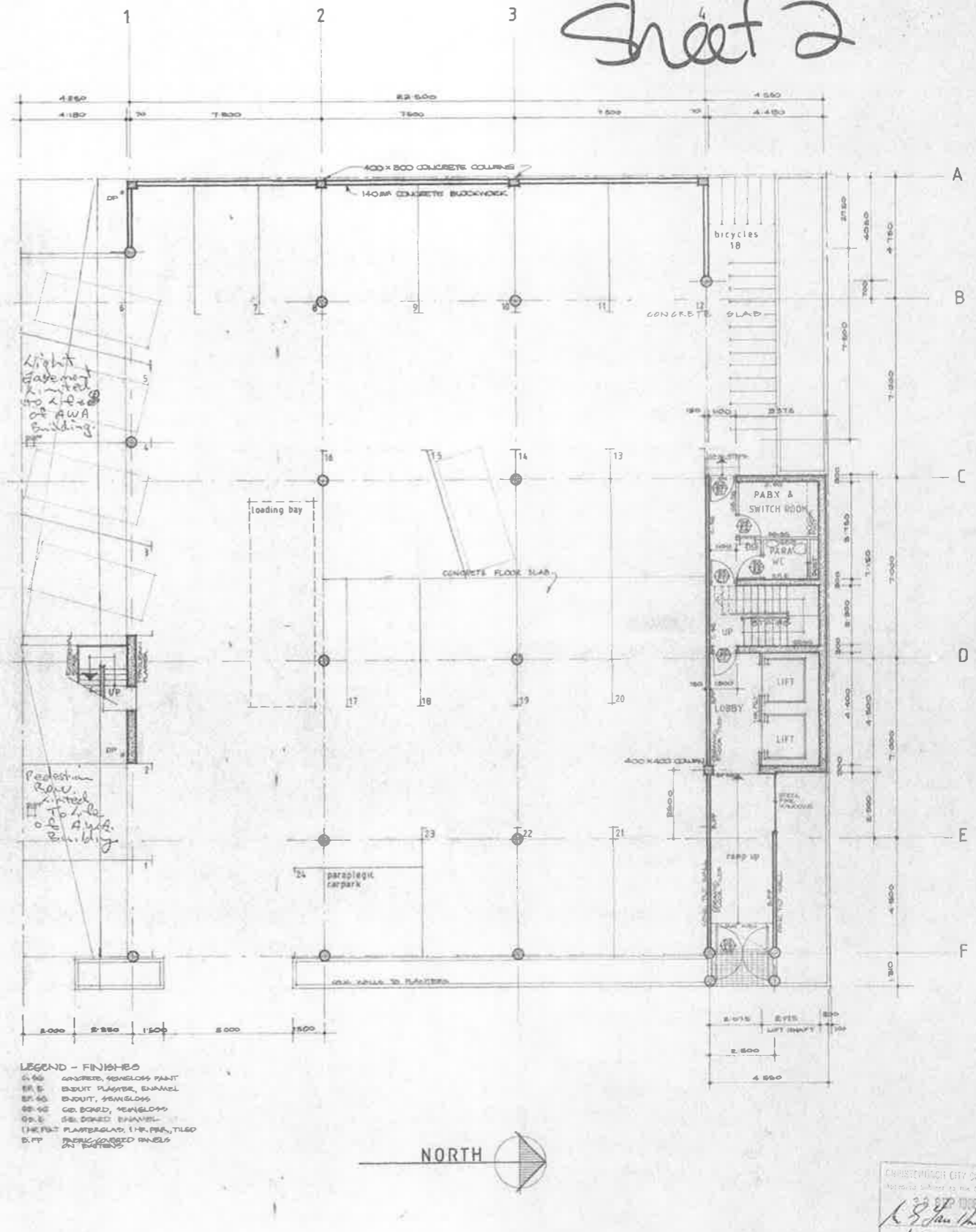
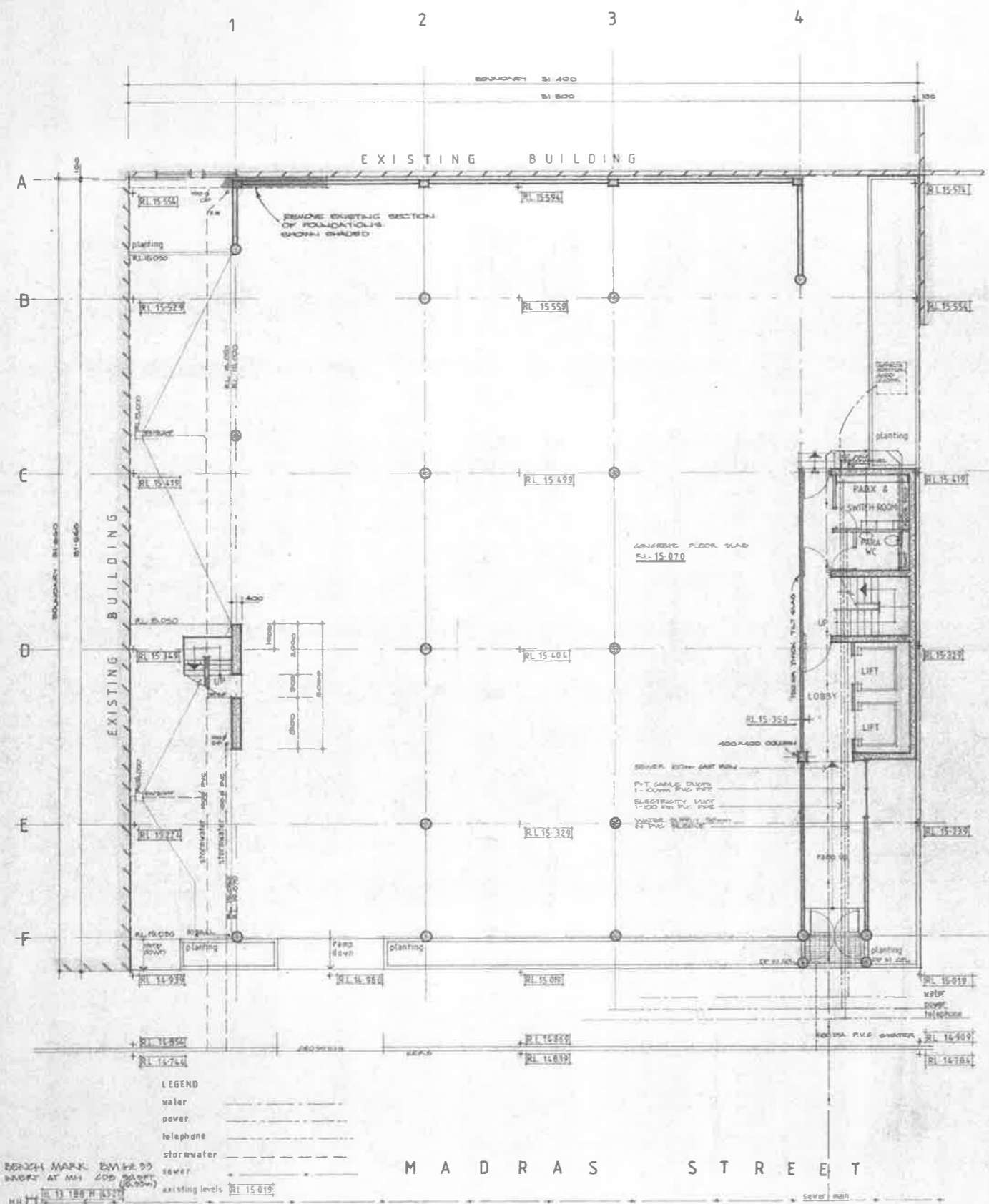
**DANGEROUS GOODS ACT AND REGULATIONS**  
Where dangerous goods are stored or used on any premises, the legislation must comply in all respects with the requirements of the Dangerous Goods Act and Regulations.

Every application **INCLUDES LPG INSTALLATIONS**  
Details of all food equipment, plant, rooms, workrooms and the storage and use facilities of the dangerous goods.  
It will be necessary for the details to be submitted one week prior to any installation, and installation must not proceed in any manner way from the details on the plan subsequently approved.  
Any further information may be obtained by contacting the Dangerous Goods Inspector, City Health Department.

D R Bates  
Director of Environmental Health  
City Health Department  
P/W. A. 112 3426

OFFICE DEVELOPMENT - MADRAS ST.

B6-2640  
Sheet 2



LEGEND

water \_\_\_\_\_

power \_\_\_\_\_

telephone \_\_\_\_\_

stormwater \_\_\_\_\_

SEWER

existing levels R.L. 15.019

NOTE: MANHOLE AT INTERSECTION CASB. ROAD

LEGEND - FINISHES

01.00 CONCRETE, SMOOTH PAINT

01.05 BRICK, PLASTER, EMERALD

01.10 BRICK, PLASTER, EMERALD

01.15 G.C. BOARD, EMERALD

01.20 S.B. DISHED EMERALD

01.25 THEFT PLASTERBOARD, 1/2" P.B., TILED

01.30 PLYWOOD, CARVED PANELS

01.35

01.40

01.45

01.50

01.55

02.00

02.05

02.10

02.15

02.20

02.25

02.30

02.35

02.40

02.45

02.50

02.55

03.00

03.05

03.10

03.15

03.20

03.25

03.30

03.35

03.40

03.45

03.50

03.55

04.00

04.05

04.10

04.15

04.20

04.25

04.30

04.35

04.40

04.45

04.50

04.55

05.00

05.05

05.10

05.15

05.20

05.25

05.30

05.35

05.40

05.45

05.50

05.55

06.00

06.05

06.10

06.15

06.20

06.25

06.30

06.35

06.40

06.45

06.50

06.55

07.00

07.05

07.10

07.15

07.20

07.25

07.30

07.35

07.40

07.45

07.50

07.55

08.00

08.05

08.10

08.15

08.20

08.25

08.30

08.35

08.40

08.45

08.50

08.55

09.00

09.05

09.10

09.15

09.20

09.25

09.30

09.35

09.40

09.45

09.50

09.55

10.00

10.05

10.10

10.15

10.20

10.25

10.30

10.35

10.40

10.45

10.50

10.55

11.00

11.05

11.10

11.15

11.20

11.25

11.30

11.35

11.40

11.45

11.50

11.55

12.00

12.05

12.10

12.15

12.20

12.25

12.30

12.35

12.40

12.45

12.50

12.55

13.00

13.05

13.10

13.15

13.20

13.25

13.30

13.35

13.40

13.45

13.50

13.55

14.00

14.05

14.10

14.15

14.20

14.25

14.30

14.35

14.40

14.45

14.50

14.55

15.00

15.05

15.10

15.15

15.20

15.25

15.30

15.35

15.40

15.45

15.50

15.55

16.00

16.05

16.10

16.15

16.20

16.25

16.30

16.35

16.40

16.45

16.50

16.55

17.00

17.05

17.10

17.15

17.20

17.25

17.30

17.35

17.40

17.45

17.50

17.55

18.00

18.05

18.10

18.15

18.20

18.25

18.30

18.35

18.40

18.45

18.50

18.55

19.00

19.05

19.10

19.15

19.20

19.25

19.30

19.35

19.40

19.45

19.50

19.55

20.00

20.05

20.10

20.15

20.20

20.25

20.30

20.35

20.40

20.45

20.50

20.55

21.00

21.05

21.10

21.15

21.20

21.25

21.30

21.35

21.40

21.45

21.50

21.55

22.00

22.05

22.10

22.15

22.20

22.25

22.30

22.35

22.40

22.45

22.50

22.55

23.00

23.05

23.10

23.15

23.20

23.25

23.30

23.35

23.40

23.45

23.50

23.55

24.00

24.05

24.10

24.15

24.20

24.25

24.30

24.35

24.40

24.45

24.50

24.55

25.00

25.05

25.10

25.15

25.20

25.25

25.30

25.35

25.40

25.45

25.50

25.55

26.00

26.05

26.10

26.15

26.20

26.25

26.30

26.35

26.40

26.45

26.50

26.55

27.00

27.05

27.10

27.15

27.20

27.25

27.30

27.35

27.40

27.45

27.50

27.55

28.00

28.05

28.10

28.15

28.20

28.25

28.30

28.35

28.40

28.45

28.50

28.55

29.00

29.05

29.10

29.15

29.20

29.25

29.30

29.35

29.40

29.45

29.50

29.55

30.00

30.05

30.10

30.15

30.20

30.25

30.30

30.35

30.40

30.45

30.50

30.55

31.00

31.05

31.10

31.15

31.20

31.25

31.30

31.35

31.40

31.45

31.50

31.55

32.00

32.05

32.10

32.15

32.20

32.25

32.30

32.35

32.40

32.45

32.50

32.55

33.00

33.05

33.10

33.15

33.20

33.25

33.30

33.35

33.40

33.45

33.50

33.55

34.00

34.05

34.10

34.15

34.20

34.25

34.30

34.35

34.40

34.45

34.50

34.55

35.00

35.05

35.10

35.15

35.20

35.25

35.30

35.35

35.40

35.45

35.50

35.55

36.00

36.05

36.10

36.15

36.20

36.25

36.30

36.35

36.40

36.45

36.50

36.55

37.00

37.05

37.10

37.15

37.20

37.25

37.30

37.35

37.40

37.45

37.50

37.55

38.00

38.05

38.10

38.15

38.20

38.25

38.30

38.35

38.40

38.45

38.50

38.55

39.00

39.05

39.10

39.15

39.20

39.25

39.30

39.35

39.40

39.45

39.50

39.55

40.00

40.05

40.10

40.15

40.20

40.25

40.30

40.35

40.40

40.45

40.50

40.55

41.00

41.05

41.10

41.15

41.20

41.25

41.30

41.35

41.40

41.45

41.50

41.55

42.00

42.05

42.10

42.15

42.20

42.25

42.30

42.35

42.40

42.45

42.50

42.55

43.00

43.05

43.10

43.15

43.20

43.25

43.30

43.35

43.40

43.45

43.50

43.55

44.00

44.05

44.10

44.15

44.20

44.25

44.30

44.35

44.40

44.45

44.50

44.55

45.00

45.05

45.10

45.15

45.20

45.25

45.30

45.35

45.40

45.45

45.50

45.55

46.00

46.05

46.10

46.15

46.20

46.25

46.30

46.35

46.40

46.45

46.50

46.55

47.00

47.05

47.10

47.15

47.20

47.25

47.30

47.35

47.40

47.45

47.50

47.55

48.00

48.05

48.10

48.15

48.20

48.25

48.30

48.35

48.40

48.45

48.50

48.55

49.00

49.05

49.10

49.15

49.20

49.25

49.30

49.35

49.40

49.45

49.50

49.55

50.00

50.05

50.10

50.15

50.20

50.25

50.30

50.35

50.40

50.45

50.50

50.55

51.00

51.05

51.10

51.15

51.20

51.25

51.30

51.35

51.40

51.45

51.50

51.55

52.00

52.05

52.10

52.15

52.20

52.25

52.30

52.35

52.40

52.45

52.50

52.55

53.00

53.05

53.10

53.15

53.20

53.25

53.30

53.35

53.40

53.45

53.50

53.55

54.00

54.05

54.10

54.15

54.20

54.25

54.30

54.35

54.40

54.45

54.50

54.55

55.00

55.05

55.10

55.15

55.20

55.25

55.30

55.35

55.40

55.45

55.50

55.55

56.00

56.05

56.10

56.15

56.20

56.25

56.30

56.35

56.40

56.45

56.50

56.55

57.00

57.05

57.10

57.15

57.20

57.25

57.30

57.35

57.40

57.45

57.50

57.55

58.00

58.05

58.10

58.15

58.20

58.25

58.30

58.35

58.40

58.45

58.50

58.55

59.00

59.05

59.10

59.15

59.20

59.25

59.30

59.35

59.40

59.45

59.50

59.55

60.00

60.05

60.10

60.15

60.20

60.25

60.30

60.35

60.40

60.45

60.50

60.55

61.00

61.05

61.10

61.15

61.20

61.25

61.30

61.35

61.40

61.45

61.50

61.55

62.00

62.05

62.10

62.15

62.20

62.25

62.30

62.35

62.40

62.45

62.50

62.55

63.00

63.05

63.10

63.15

63.20

63.25

63.30

63.35

63.40

63.45

63.50

63.55

64.00

64.05

64.10

64.15

64.20

64.25

64.30

64.35

64.40

64.45

64.50

64.55

65.00

65.05

65.10

65.15

65.20

65.25

65.30

65.35

65.40

65.45

65.50

65.55

66.00

66.05

66.10

66.15

66.20

66.25

66.30

66.35

66.40

66.45

66.50

66.55

67.00

67.05

67.10

67.15

67.20

67.25

67.30

67.35

67.40

67.45

67.50

67.55

68.00

68.05

68.10

68.15

68.20

68.25

68.30

68.35

68.40

68.45

68.50

68.55

69.00

69.05

69.10

69.15

69.20

69.25

69.30

69.35

69.40

69.45

69.50

69.55

70.00

70.05

70.10

70.15

70.20

70.25

70.30

70.35

70.40

70.45

70.50

70.55

71.00

71.05

71.10

71.15

71.20

71.25

71.30

71.35

71.40

71.45

71.50

71.55

72.00

72.05

72.10

72.15

72.20

72.25

72.30

72.35

72.40

72.45

72.50

72.55

73.00

73.05

73.10

73.15

73.20

73.25

73.30

73.35

73.40

73.45

73.50

73.55

74.00

74.05

74.10

74.15

74.20

74.25

74.30

74.35

74.40

74.45

74.50

74.55

75.00

75.05

75.10

75.15

75.20

75.25

75.30

75.35

75.40

75.45

75.50

75.55

76.00

76.05

76.10

76.15

76.20

76.25

76.30

76.35

76.40

76.45

76.50

76.55

77.00

77.05

77.10

77.15

77.20

77.25

77.30

77.35

77.40

77.45

77.50

77.55

78.00

78.05

78.10

78.15

78.20

78.25

78.30

78.35

78.40

78.45

78.50

78.55

79.00

79.05

79.10

79.15

79.20

79.25

79.30

79.35

79.40

79.45

79.50

79.55

80.00

80.05

80.10

80.15

80.20

80.25

80.30

80.35

80.40

80.45

80.50

80.55

81.00

81.05

81.10

81.15

81.20

81.25

81.30

81.35

81.40

81.45

81.50

81.55

82.00

82.05

82.10

82.15

82.20

82.25

82.30

82.35

82.40

82.45

82.50

82.55

83.00

83.05

83.10

83.15

83.20

83.25

83.30

83.35

83.40

83.45

83.50

83.55

84.00

84.05

84.10

84.15

84.20

84.25

84.30

84.35

84.40

84.45

84.50

84.55

85.00

85.05

85.10

85.15

85.20

85.25

85.30

85.35

85.40

85.45

85.50

85.55

86.00

86.05

86.10

86.15

86.20

86.25

86.30

86.35

86.40

86.45

86.50

86.55

87.00

87.05

87.10

87.15

87.20

87.25

87.30

87.35

87.40

87.45

87.50

87.55

88.00

88.05

88.10

88.15

88.20

88.25

88.30

88.35

88.40

88.45

88.50

88.55

89.00

89.05

89.10

89.15

89.20

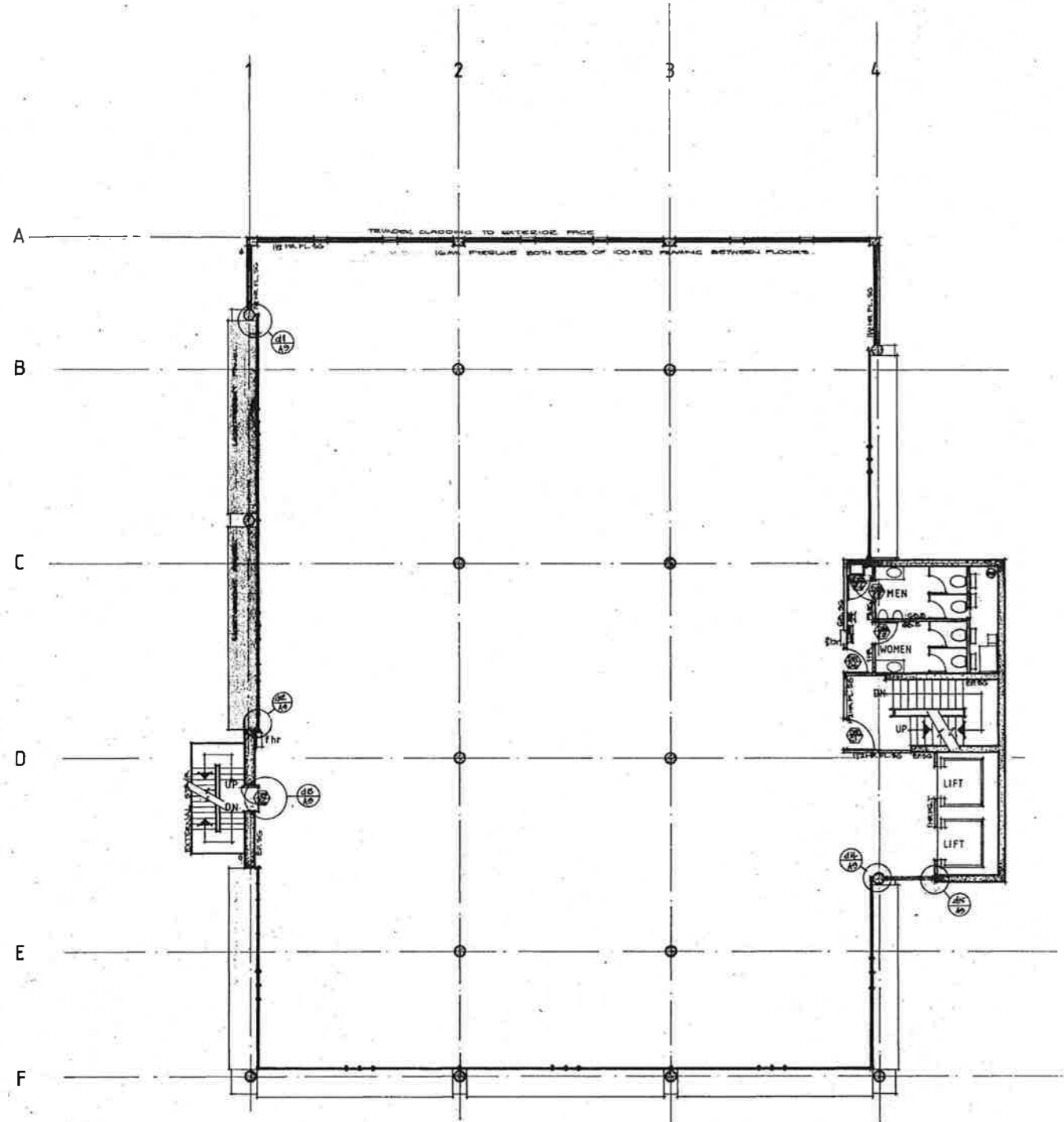
89.25

89.30

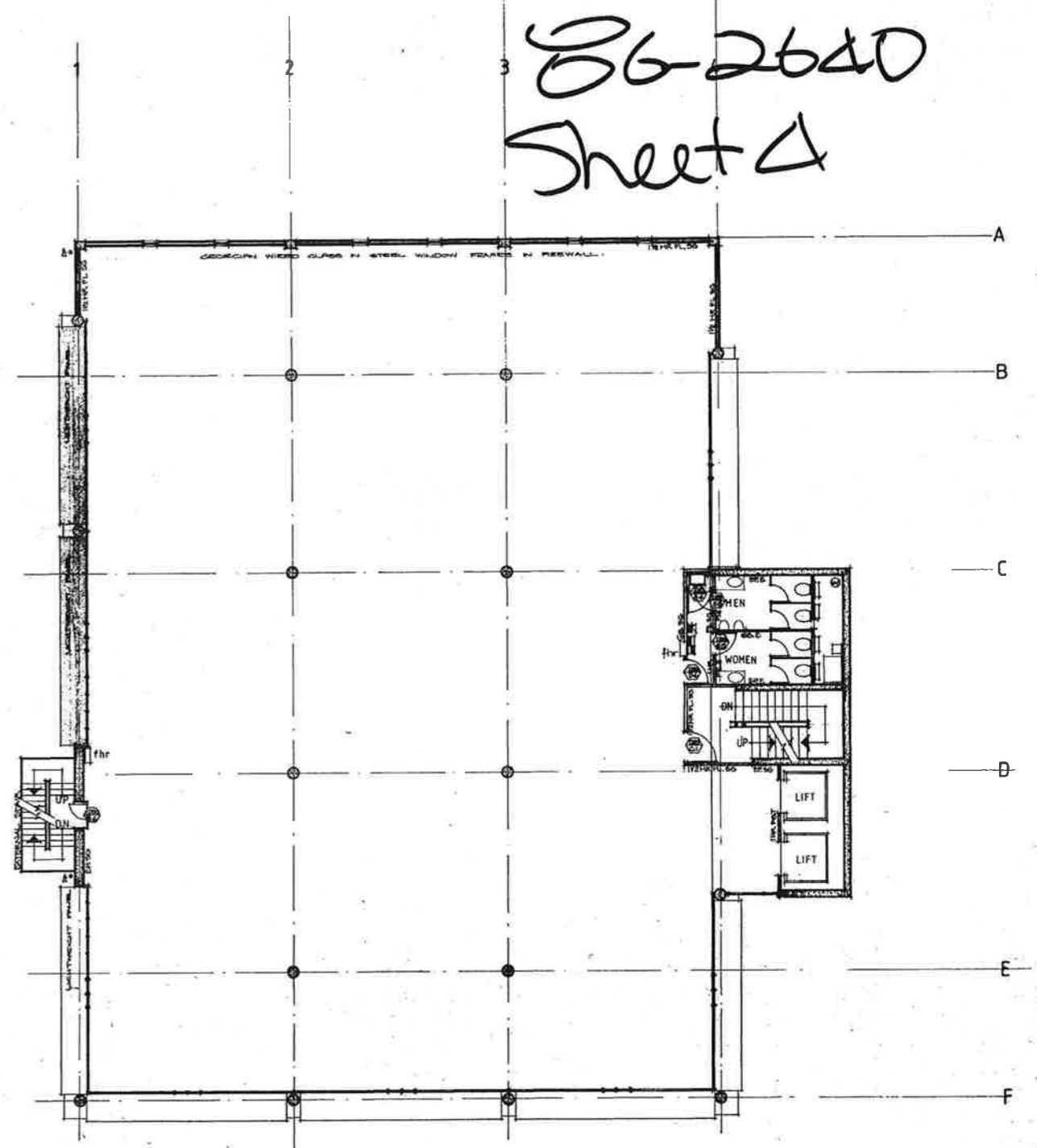
89.35

89.40

86-2640  
Sheet 4



LEVEL 4



LEVEL 5

LEGEND - FINISHES  
 EP.E EXCIT PLASTER, ENAMEL  
 ER.SG EXCIT PLASTER, SEMI-GLOSS  
 HR.FLT PLASTERING (H.R.FLT)  
 HR.FLSG PLASTERING (H.R.FLT) SEMI-GLOSS  
 AS ABOVE, ENAMEL  
 (2)HR.FLT PLASTERING (H.R.FLT)  
 AS ABOVE, SEMI-GLOSS  
 GB.SG GIB BOARD, SEMI-GLOSS  
 GB.E GIB BOARD, ENAMEL

CHRISTCHURCH CITY COUNCIL  
 Approved Subject to the By-Laws  
 30 SEP 1986  
*[Signature]*  
 For Engineer

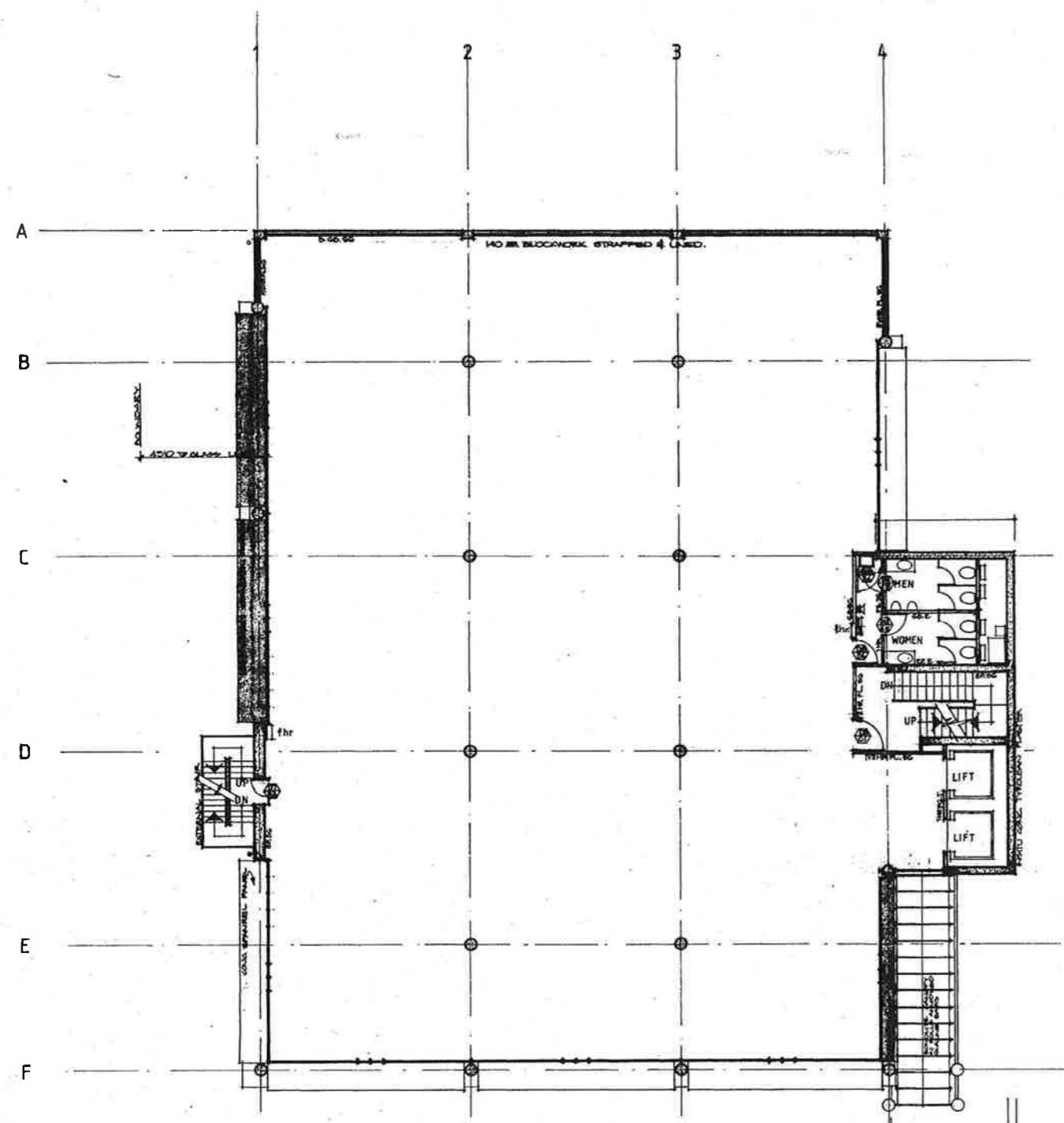
contractor shall verify all dimensions before commencing work

Issue date

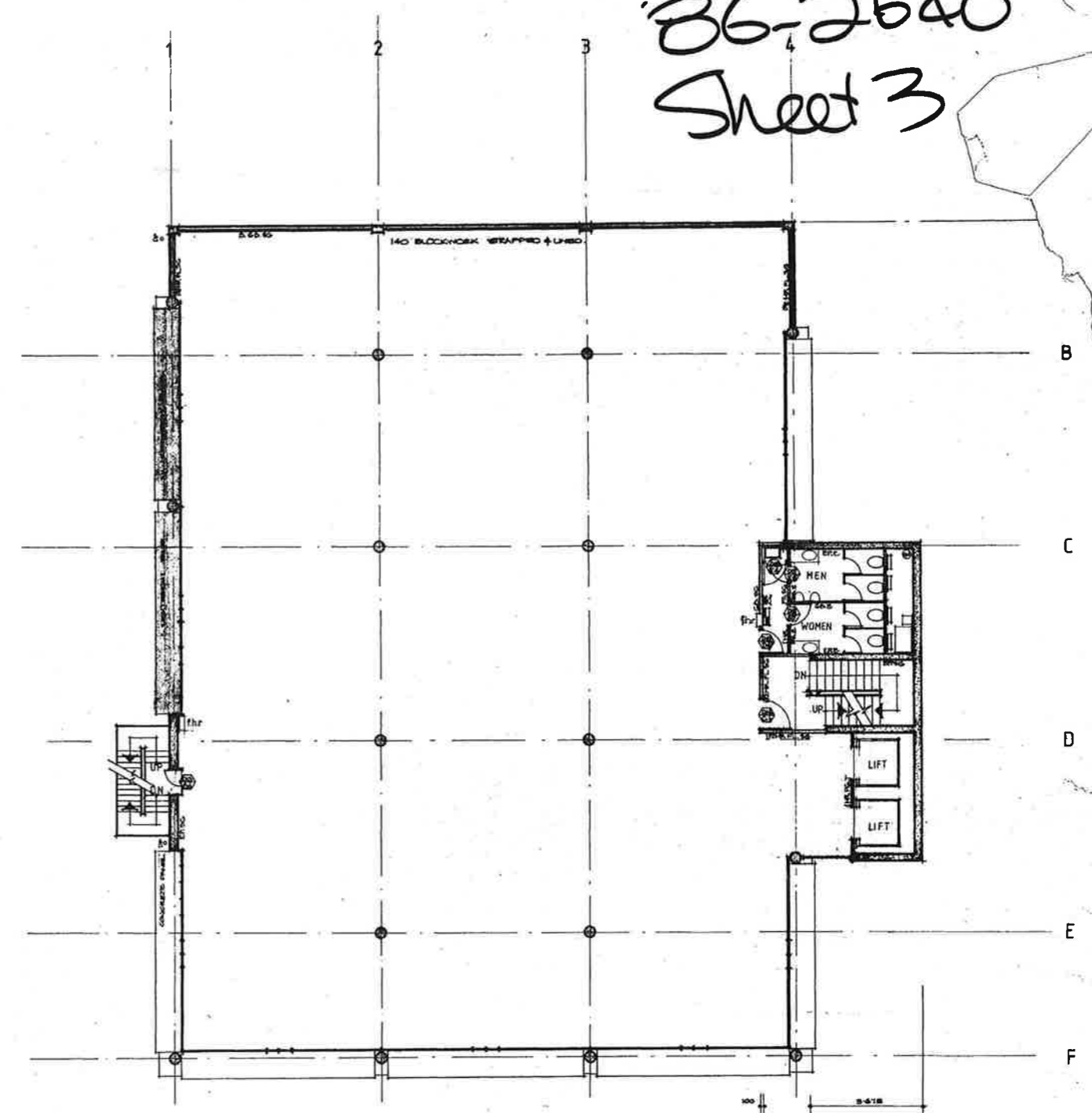
DR, DBO WIDTH AMENDED, HORIZONTAL SHIFTED, BIR, WASH WALL, amended

|                 |  |                |  |             |  |  |  |                      |
|-----------------|--|----------------|--|-------------|--|--|--|----------------------|
| OFFICE BUILDING |  | 249 MADRAS ST. |  | FLOOR PLANS |  | <b>Alun Wills Associates Architects</b><br>61 Kinross St. Christchurch P.O. Box 28-000<br>Design: [blank] Date: 28/1/86<br>Checked: [blank] Scale: 1:100<br>Drawn: [blank] |  | Sheet<br><b>A 3A</b> |
|-----------------|--|----------------|--|-------------|--|--|--|----------------------|

B6-2640  
Sheet 3



LEVEL 2



LEVEL 3

**LEGEND - FINISHES**  
 EP.E ENLIT PLASTER, ENAMEL  
 BR.SG ENLIT PLASTER, SEMI-GLOSS  
 1HR.PT PLASTER/PLASTER 1HR.PK, TILED  
 1HR.PG FRESH 2HR.PK, SEMI-GLOSS  
 1HR.PS FRESH 1HR.PK, ENAMEL  
 1/2HR.FL.E PRELINE 2HR.PK, SEMI-GLOSS  
 1/2HR.FL.E PRELINE 2HR.PK, ENAMEL  
 GB.E GB. BOARD, ENAMEL  
 GB.SG GB. BOARD, SEMI-GLOSS  
 DGB.SG AS ABOVE, DN BATTING

**DOOR LEGEND**

| DOOR TYPE                      | DOOR NO.        |
|--------------------------------|-----------------|
| A. GLAZED ALUM. DOOR WITH DOOR | 1. 1050 (SUITE) |
| B. 2HR. BRKBD                  | 2. 99R 950      |
| C. 2HR. FLUSH PLY              | 3. 850          |
| D. 2HR. FLUSH PLY              | 4. 810          |
| E. 2HR. BRKBD                  | 5. 750          |
| F. 2HR. FLUSH PLY              | 6. 550          |
| G. 2HR. FLUSH PLY              |                 |

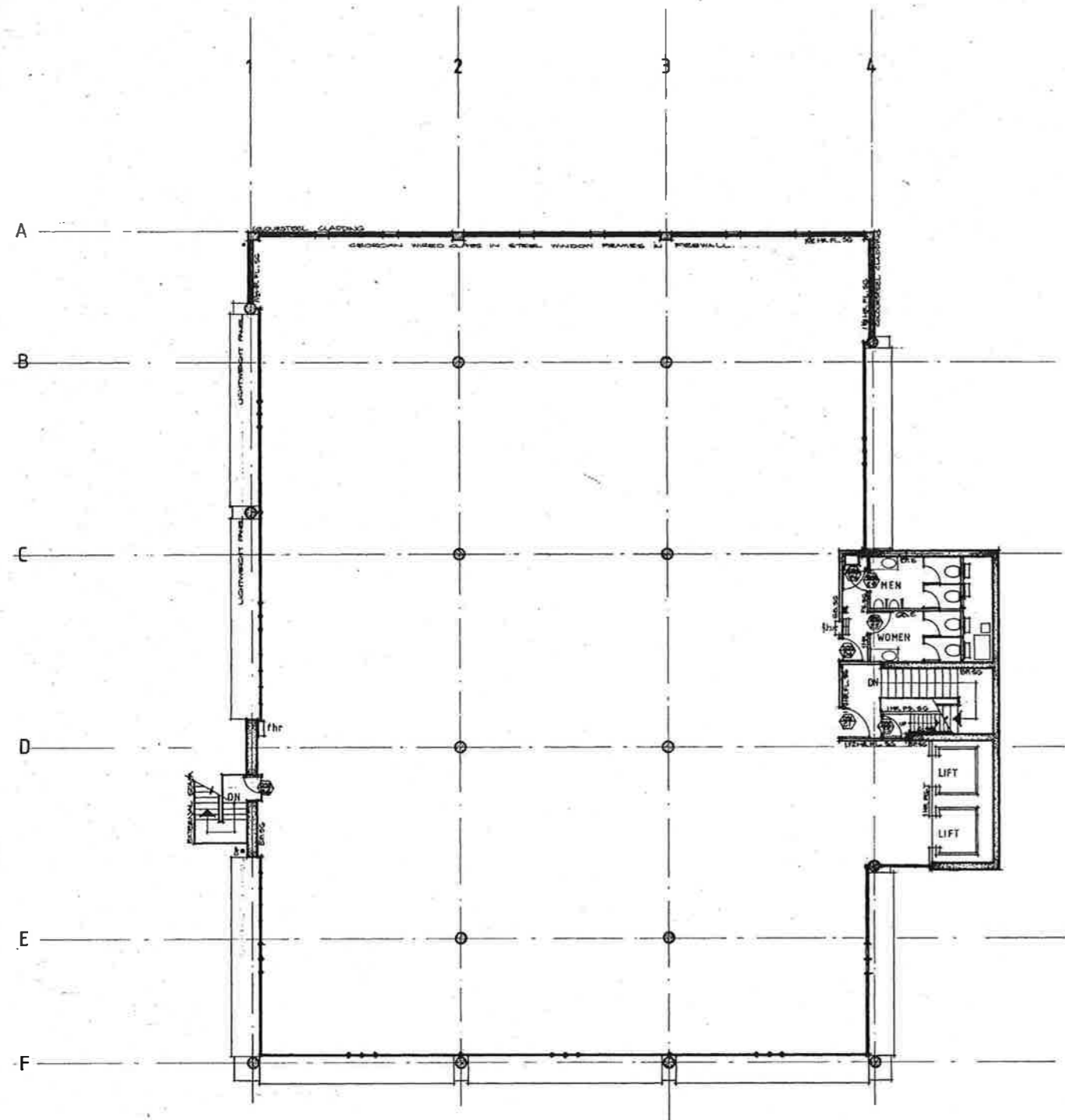
NOTE - DOOR TYPES C AND E TO BE COMPLETED WITH DOOR CLOSERS AND SIGN HANDLE STR. 22R, TOP CLOSED

CHRISTCHURCH CITY COUNCIL  
 Approved Subject to the By-Laws  
 30 SEP 1986  
 [Signature]  
 For Engineer

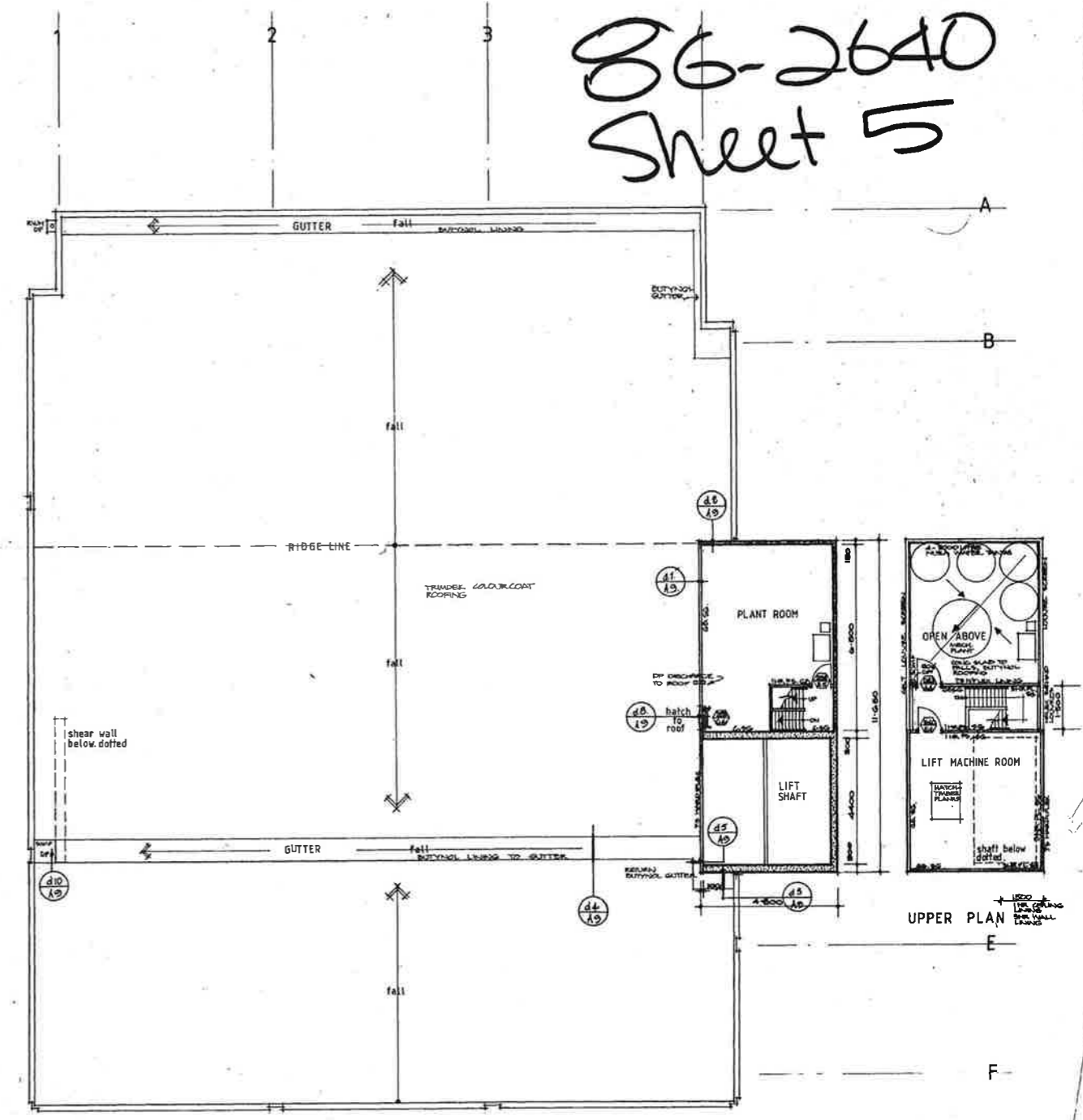
contractor shall verify all dimensions before commencing work

A 0.0.80  
 issue date  
 D7, D10 WITH AMENDS, POWERBEL SHIPPED, FIN.V  
 amendment

86-2640  
Sheet 5



LEVEL 6



PLANT ROOM & ROOF PLAN

- LEGEND - FINISHES**
- ER.E ENDUIT PLASTER, ENAMEL
  - ER.SG ENDUIT PLASTER, SEMI-GLOSS
  - FR.PST PLASTERGLASS 1/2HR.FIR.TLED
  - FR.FS.SG FIREPROOF GIB.BD 1/2HR.FIR.SEMI-GLOSS
  - FR.PS.E AS ABOVE ENAMEL
  - FR.PL.E FIRELINS 1/2HR.FIR.ENAMEL AS ABOVE, SEMI-GLOSS
  - FR.PL.SG AS ABOVE, SEMI-GLOSS
  - GD.SG GIB BOARD, SEMI-GLOSS
  - GD.E GIB BOARD ENAMEL
  - CS.GG CONCRETE, SEMI-GLOSS
- DOOR LEGEND**
- DOOR TYPE - DOOR NO. - DOOR WIDTH
- A. GLAZED ALUM. 1. 1020 (2130)
  - B. GLAZED ALUM. 2. 1020 (2130)
  - C. GLAZED ALUM. 3. 1020 (2130)
  - D. GLAZED ALUM. 4. 1020 (2130)
  - E. GLAZED ALUM. 5. 1020 (2130)
  - F. GLAZED ALUM. 6. 1020 (2130)
  - G. GLAZED ALUM. 7. 1020 (2130)
  - H. GLAZED ALUM. 8. 1020 (2130)
  - I. GLAZED ALUM. 9. 1020 (2130)
  - J. GLAZED ALUM. 10. 1020 (2130)
- NOTE: DOOR TYPES C AND E TO BE GLAZED WITH DOOR GLASS AND SIGN PANELS NOT TO BE GLAZED

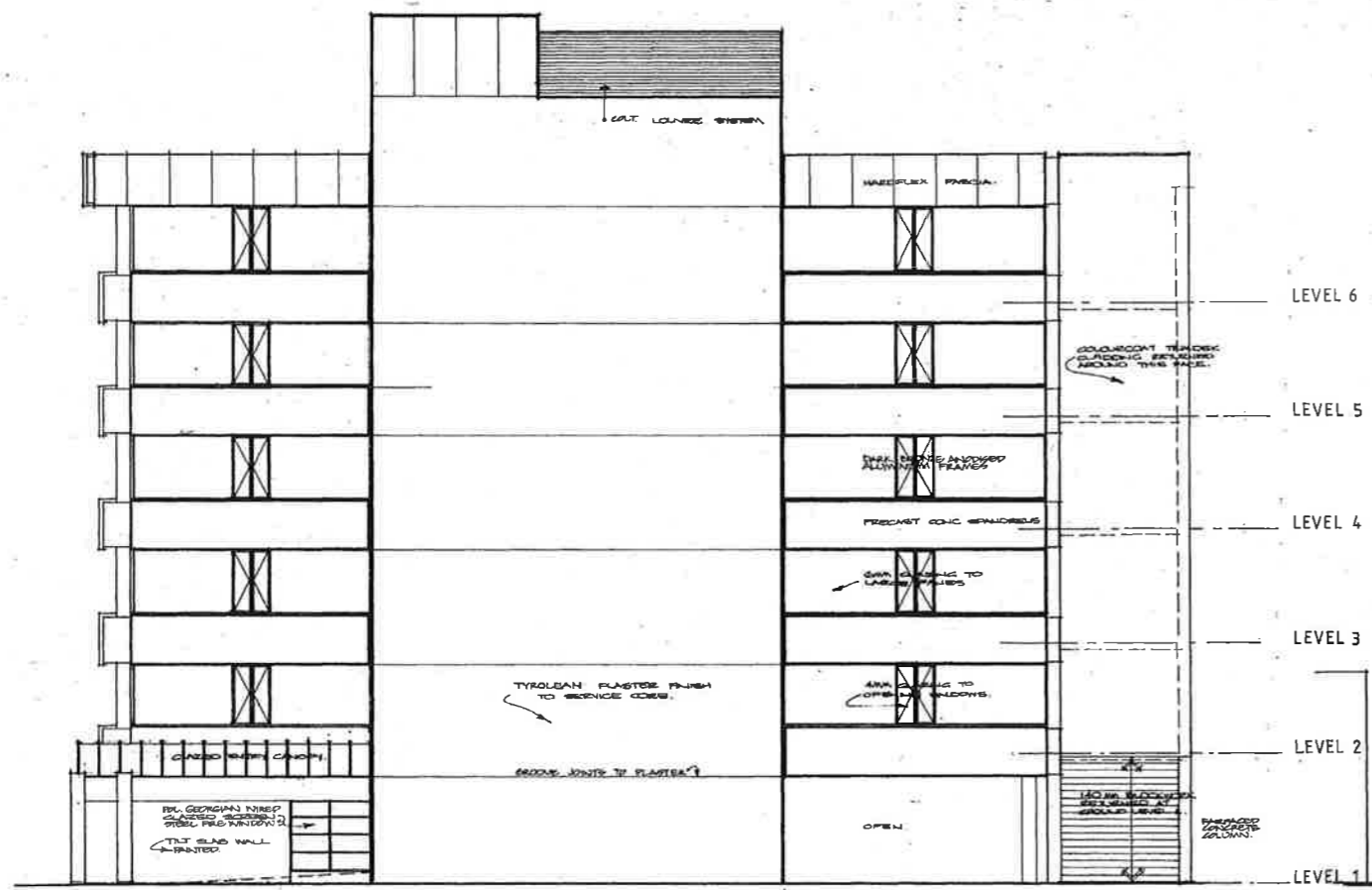
CHRISTCHURCH CITY COUNCIL  
Approved Subject to the By-Laws  
30 SEP 1955  
For Engineer

contractor shall verify all dimensions before commencing work

D 8.9.55  
A 31.7.55  
Issue date

DOOR WIDTH AMENDED, HOSE REEL SHIFTER, FIRE WREST WALL  
LIFT MACHINE ROOM WIDTH REDUCED  
sm:mdm

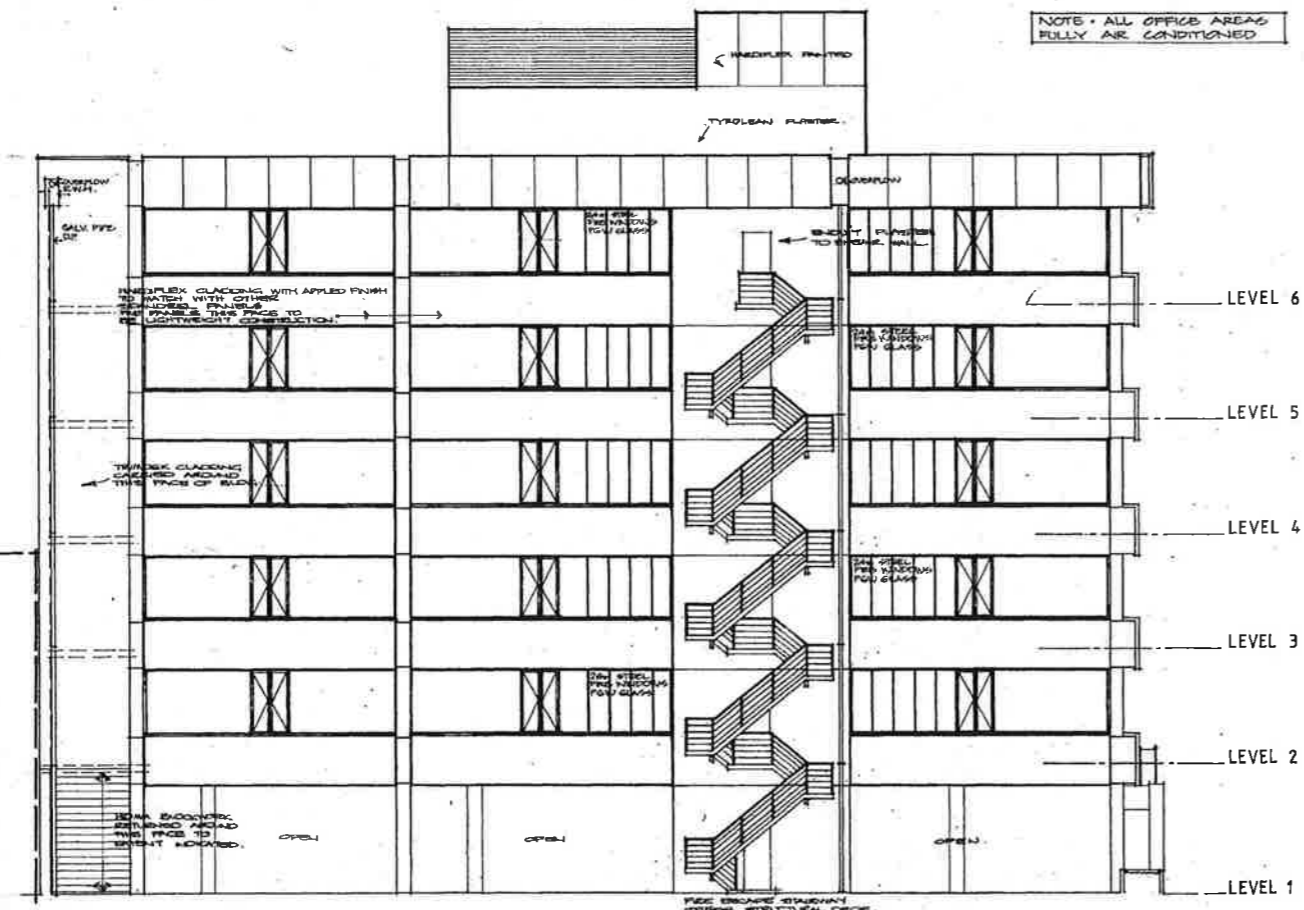
86-2640  
Sheet 6



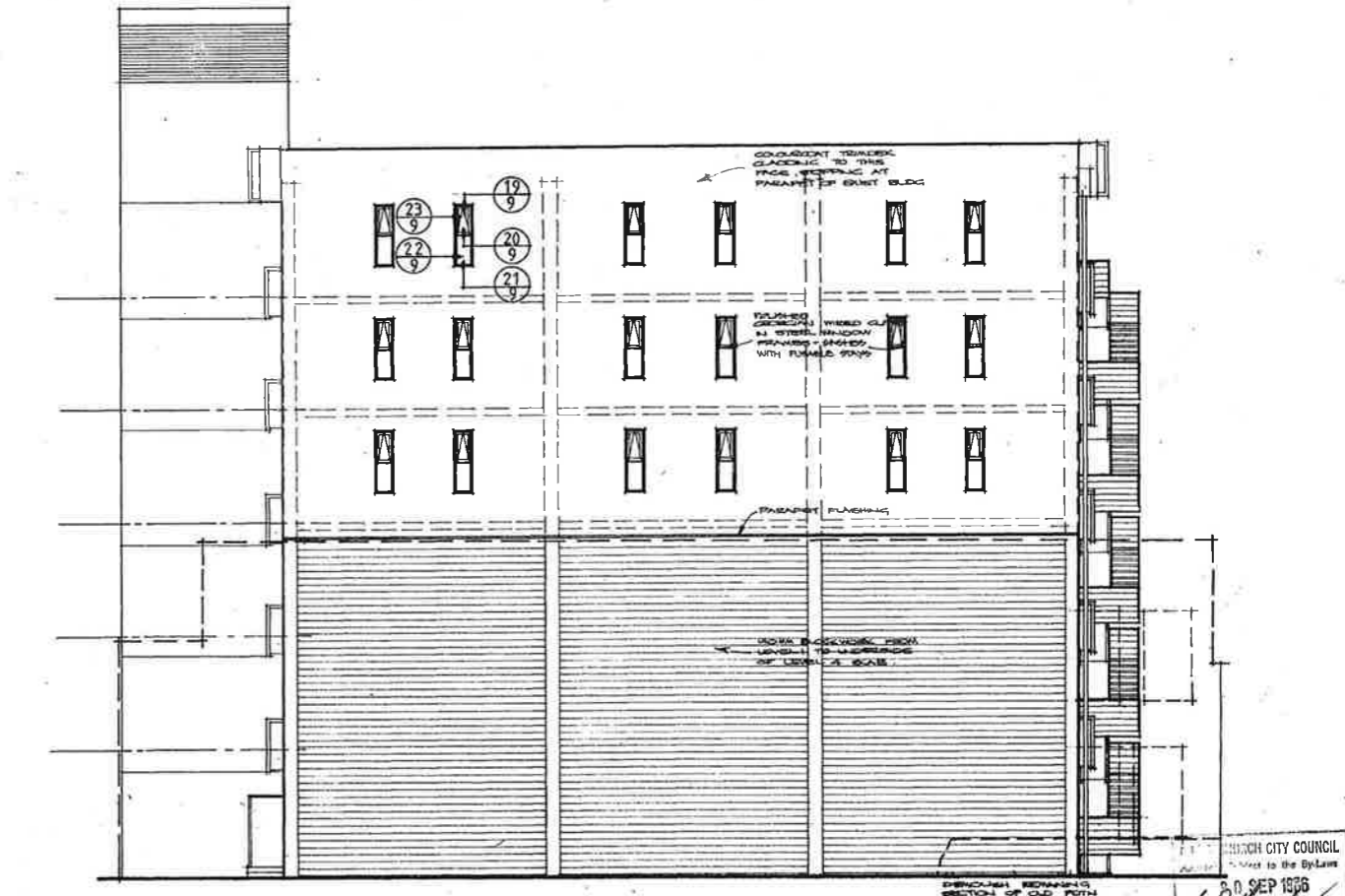
NORTH ELEVATION



EAST ELEVATION

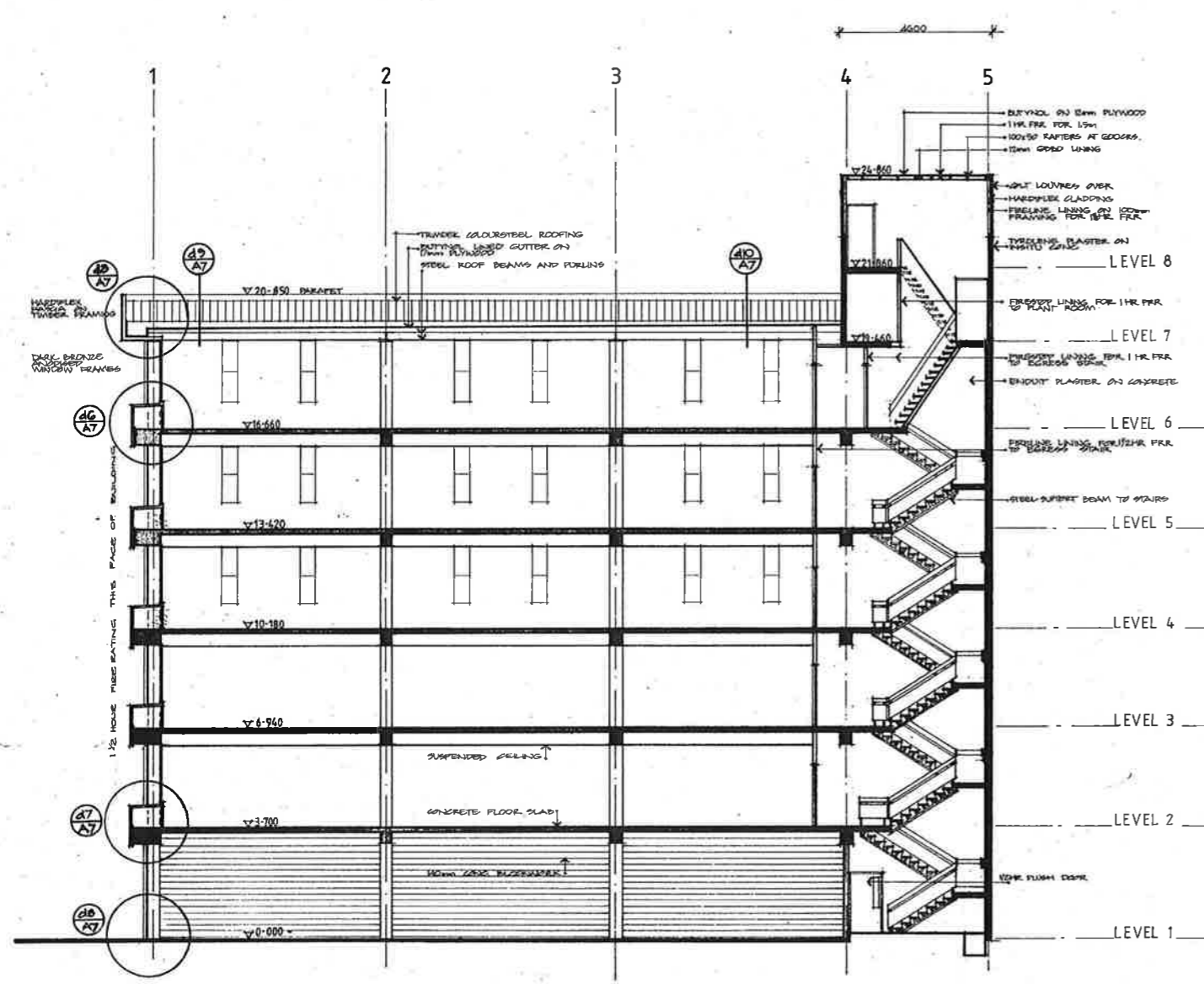


SOUTH ELEVATION

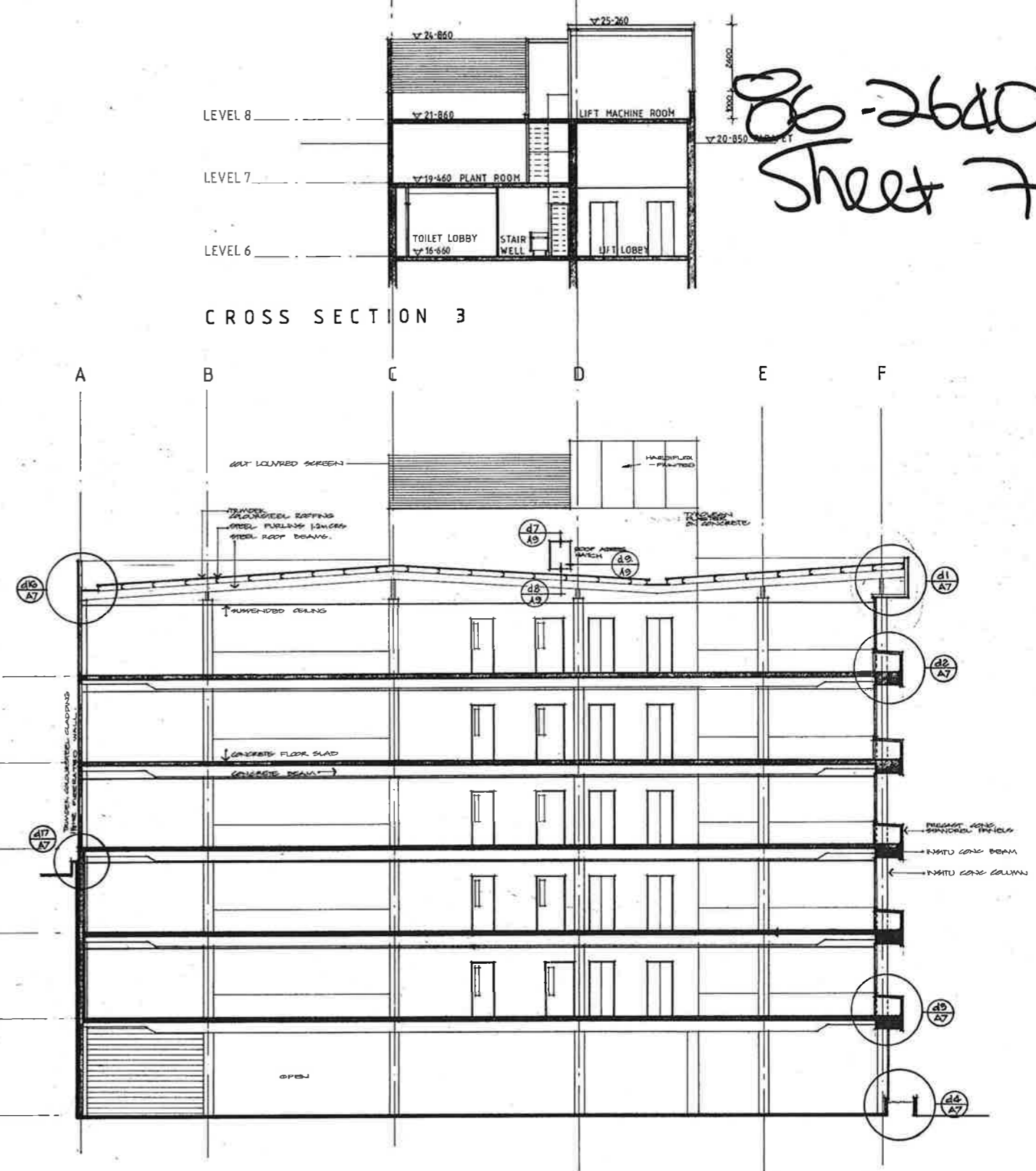


WEST ELEVATION

86-2640  
Sheet 7



CROSS SECTION 1



CROSS SECTION 2

CHRISTCHURCH CITY COUNCIL  
 Approved Subject to the By-Laws  
 30 SEP 1986  
*[Signature]*  
 For Engineer

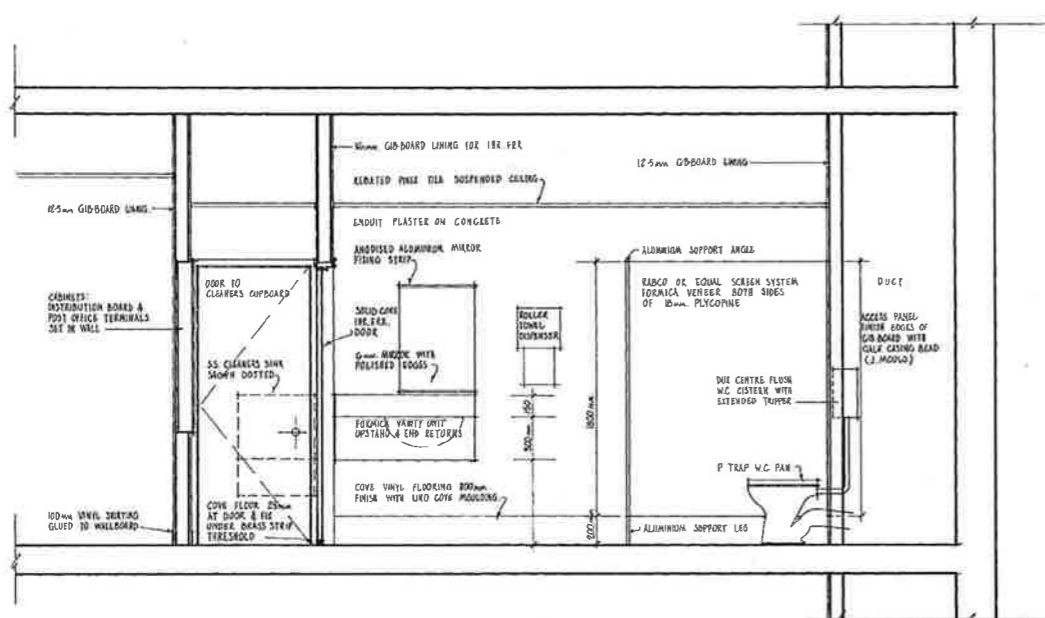
contractor shall verify all dimensions before commencing work

B 6.8.86  
 A 26.7.86  
 Issue Date  
 FIRE RATINGS BOUNDARY WALLS AMENDED  
 LIFT MACHINE ROOM ROOF LEVEL  
 AMENDED

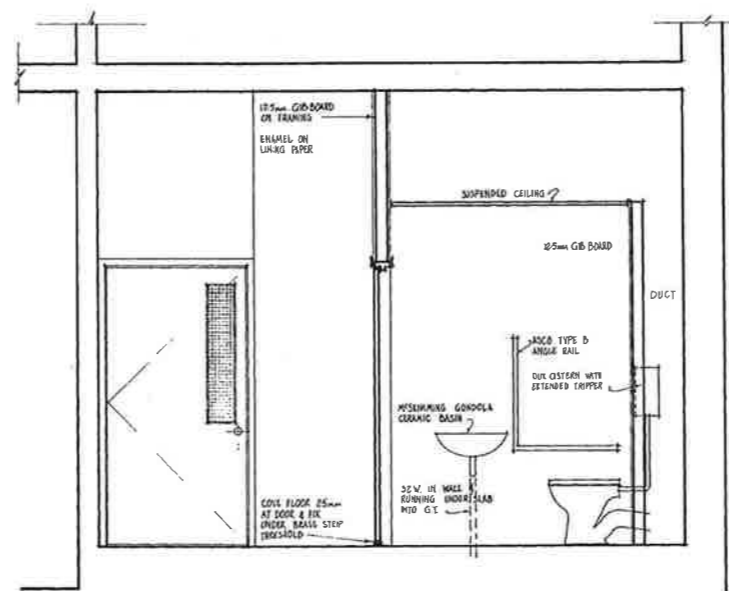




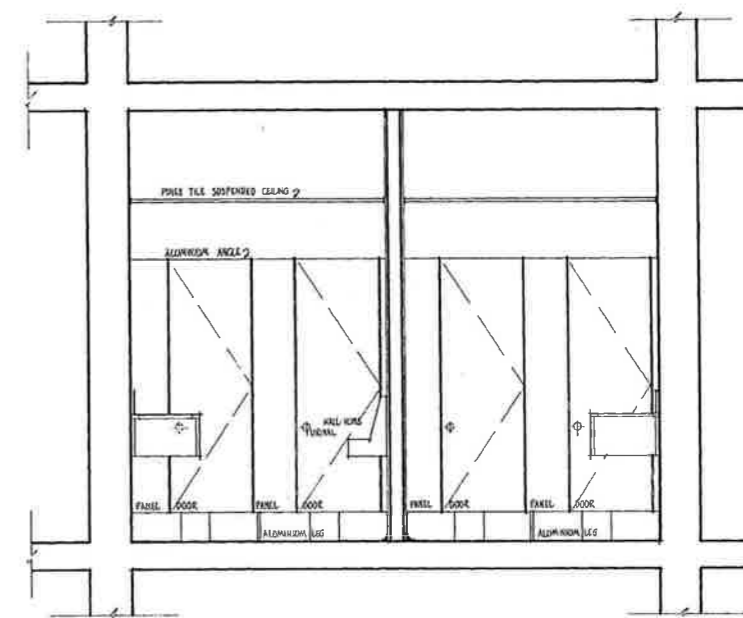




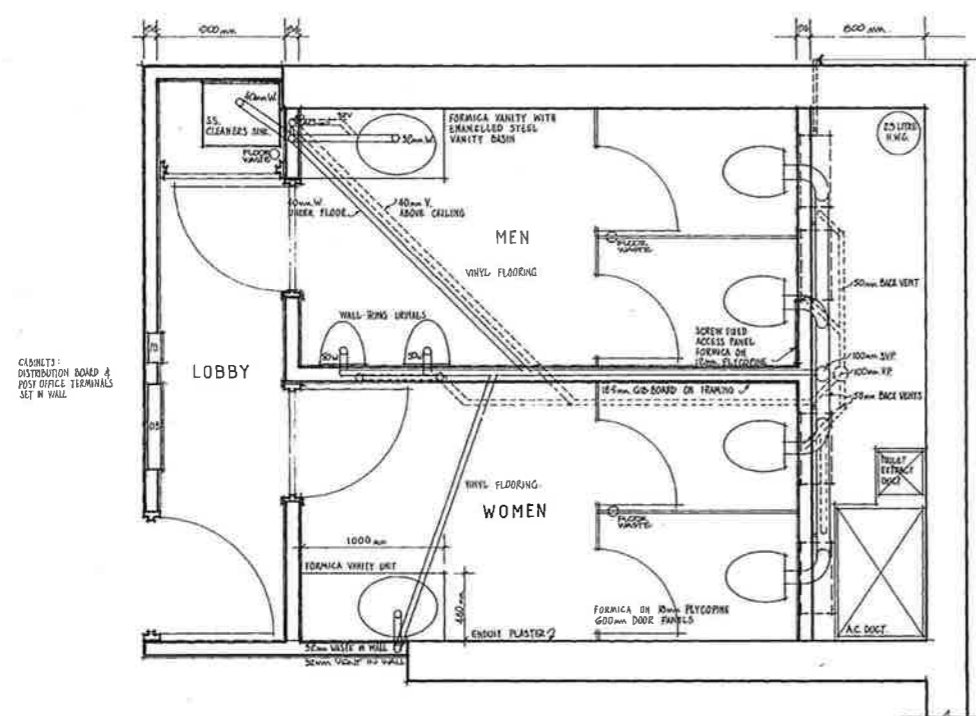
CROSS SECTION 1



CROSS SECTION 2 (PARA TOILET LEVEL 1)

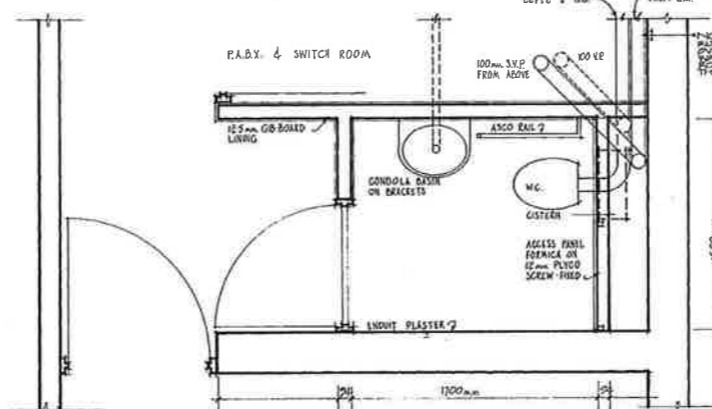


CROSS SECTION 3

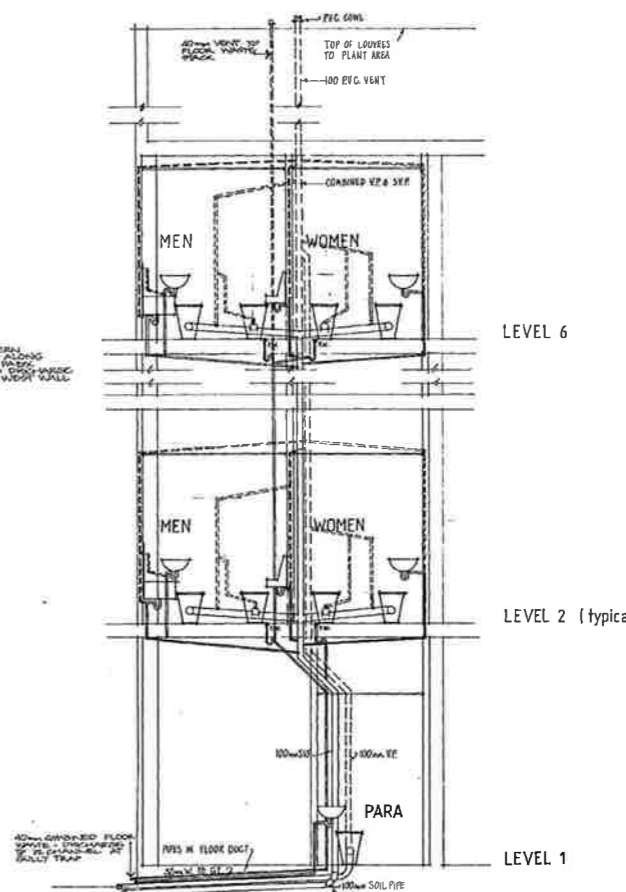


TYPICAL FLOOR PLAN

NOTE: GIB BOARD OVERFLOW TRAP FOR 100mm S.P. FROM ABOVE TOILET AND DRAINAGE THROUGH EXTERIOR WALL OF EACH FLOOR.



PARAPLEGIC TOILET FLOOR PLAN



DIAGRAMATIC LAYOUT 1:50

CHRISTCHURCH CITY COUNCIL  
Approved Subject to the By-Laws  
30 SEP 1988  
For Engineer

contractor shall verify all dimensions before commencing work

A 24.7.86  
issue date

VENTS AMENDED  
CORRECTED OVERFLOW NOTES ADDED  
FLOOR WAGERS CHANGED TO STACK, C.N.R. ADDED  
amendment